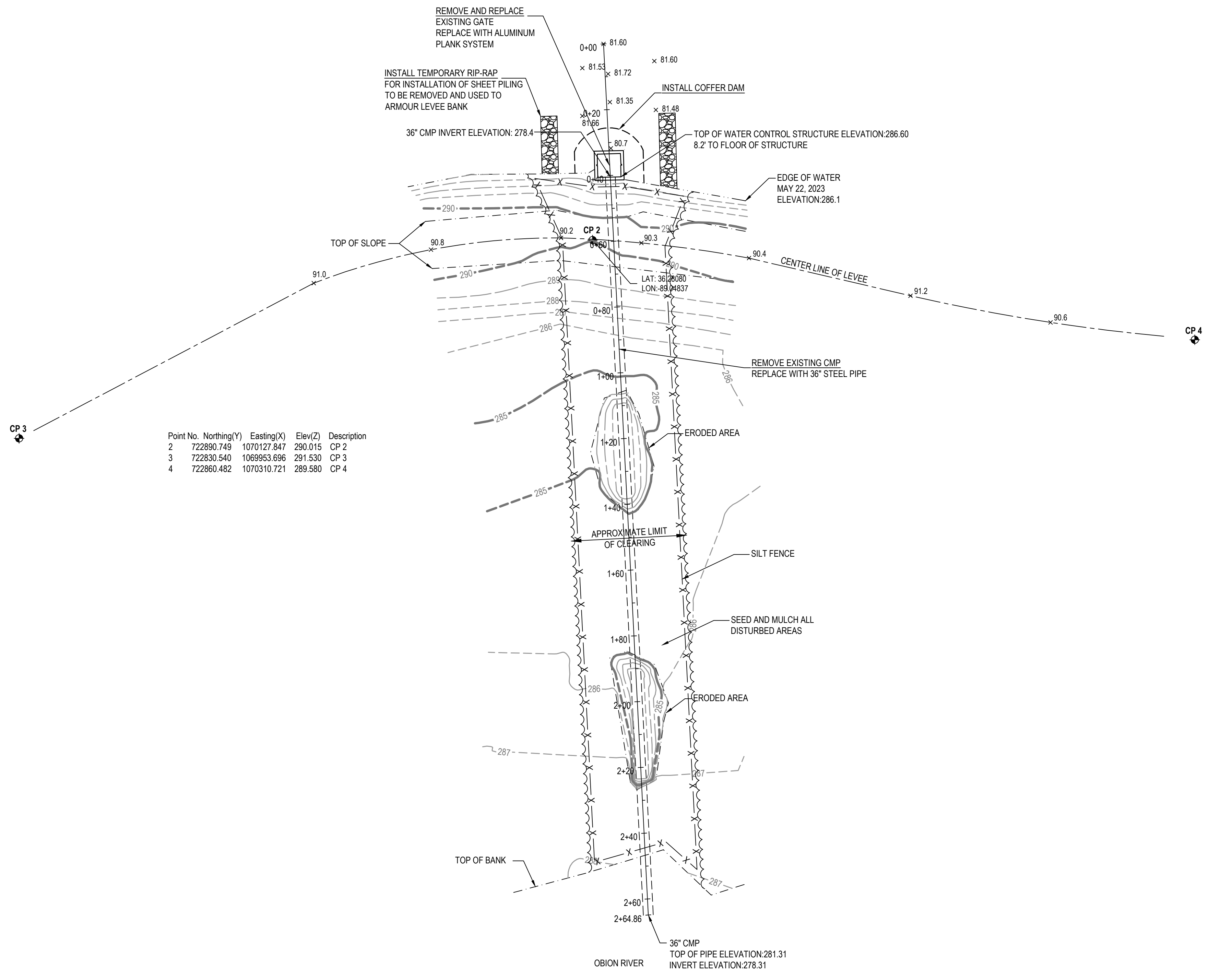
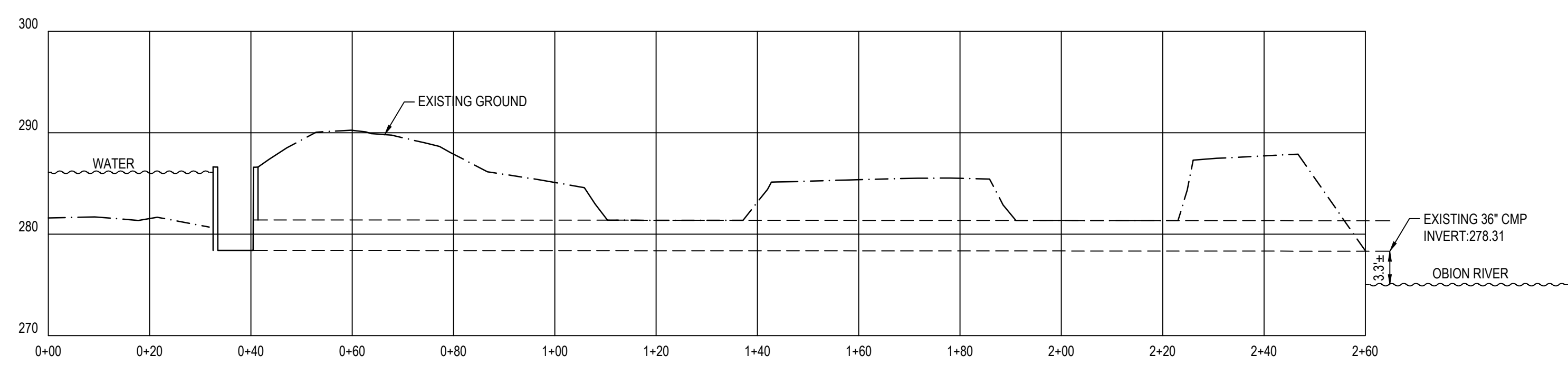
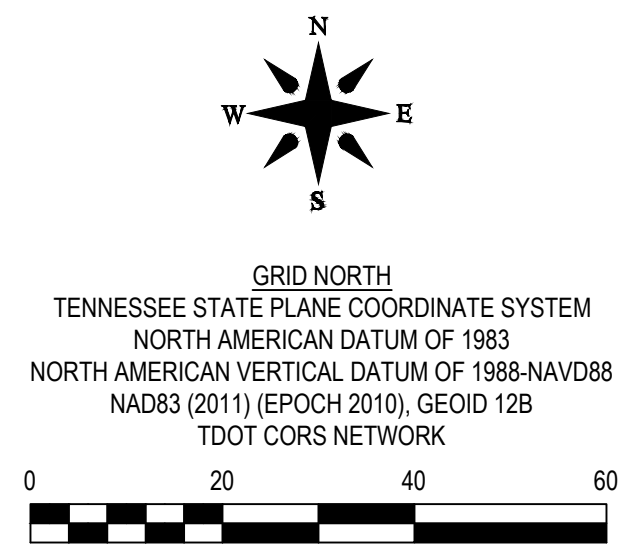
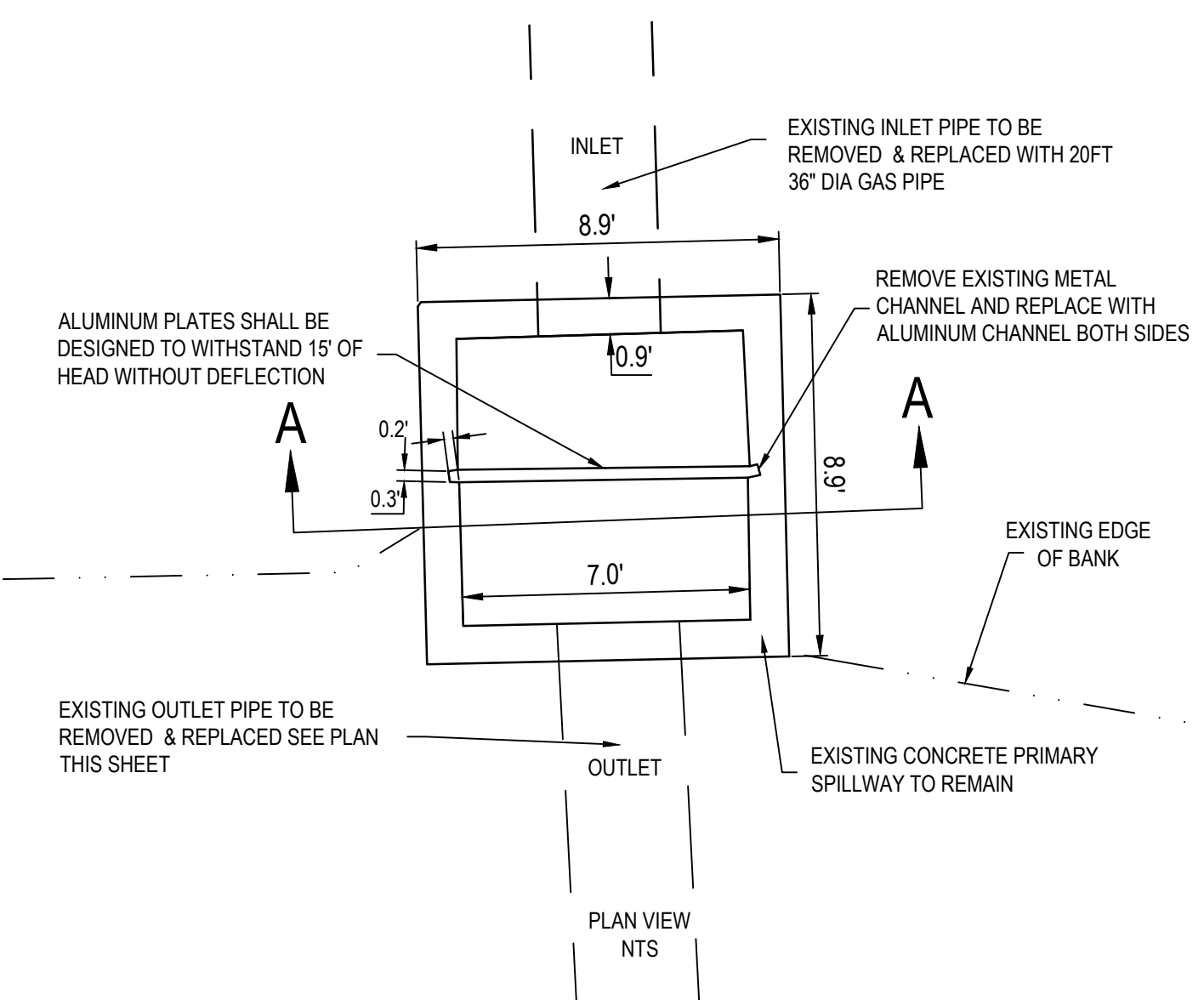
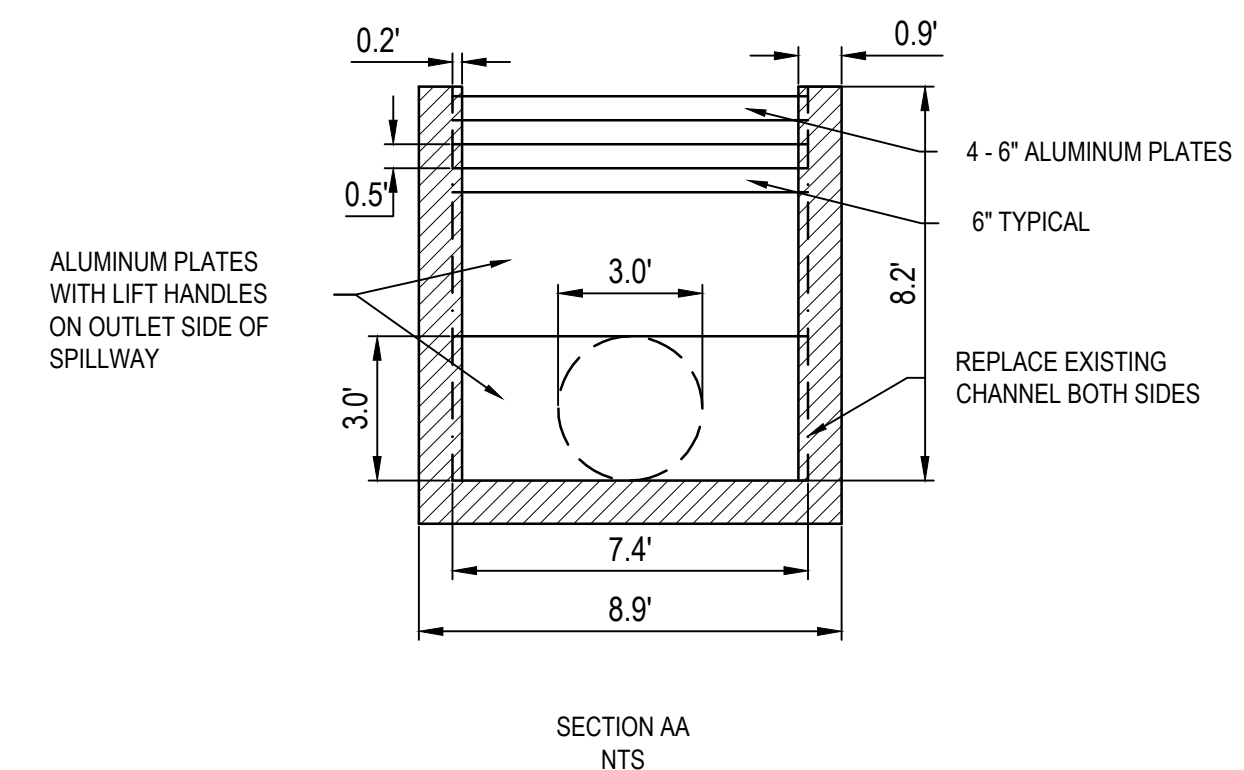
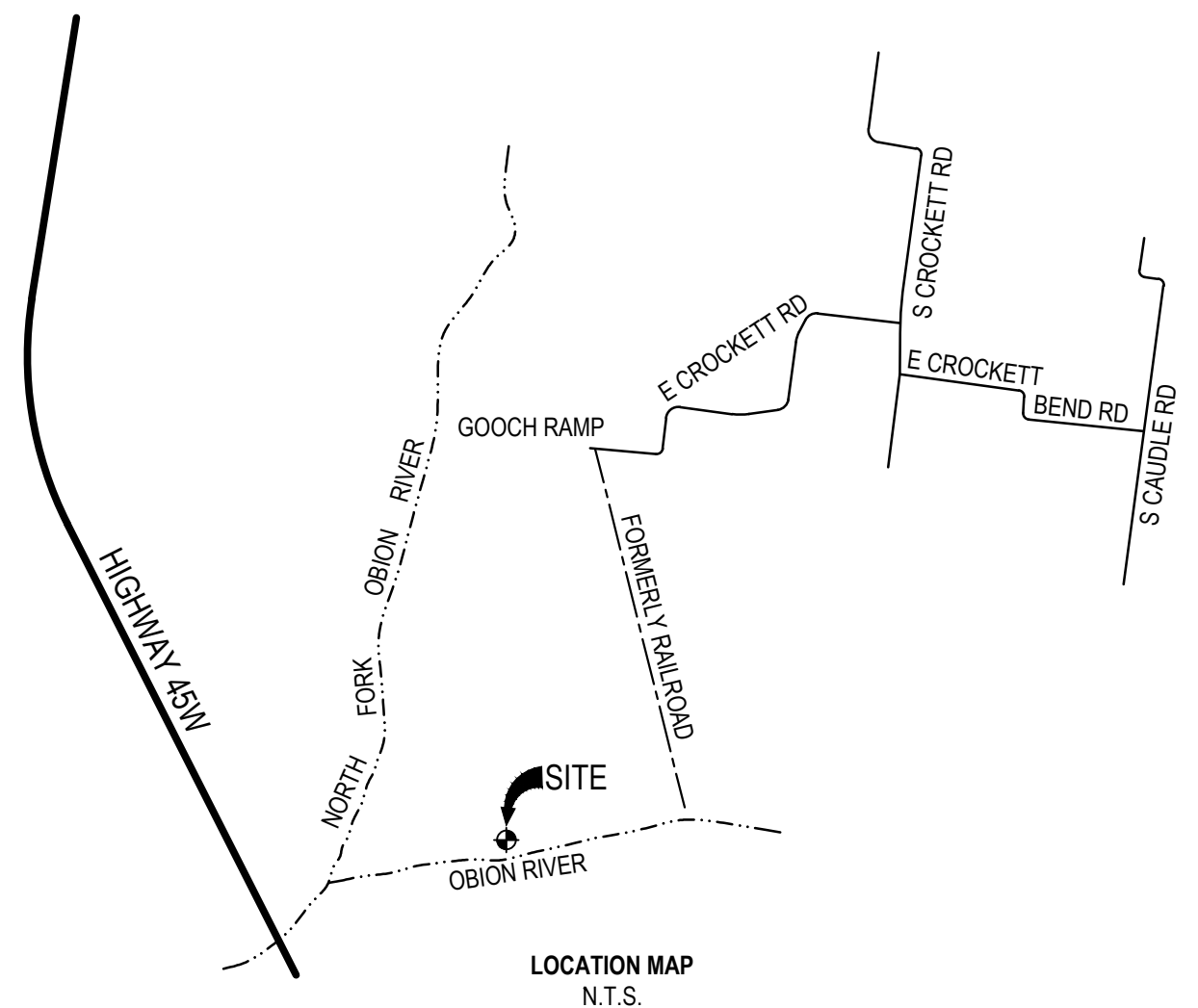


ATTACHMENT 1



Point No.	Northing(Y)	Easting(X)	Elev(Z)	Description
2	722890.749	1070127.847	290.015	CP 2
3	722830.540	1069553.696	291.530	CP 3
4	722860.482	1070310.721	289.580	CP 4

REVISIONS

TENNESSEE WILDLIFE RESOURCES AGENCY
 Engineering Division
 5107 Edmondson Pike
 Nashville, TN 37211
 615-781-6545



GOOCH UNIT "E"
 WILDLIFE MANAGEMENT AREA
 OBION COUNTY, TENNESSEE

DRAWN BY SM
 CHECKED BY KE
 DATE 7/17/2023
 SCALE 1" = 20'
 JOB NUMBER 23-025
 SHEET

V-01