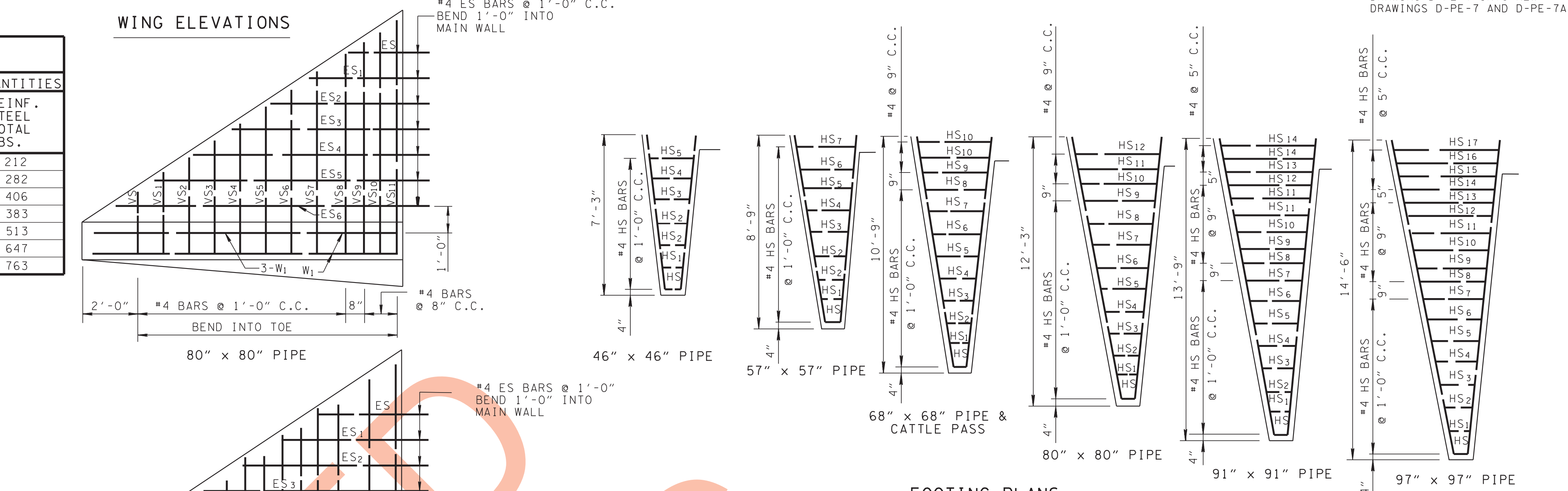


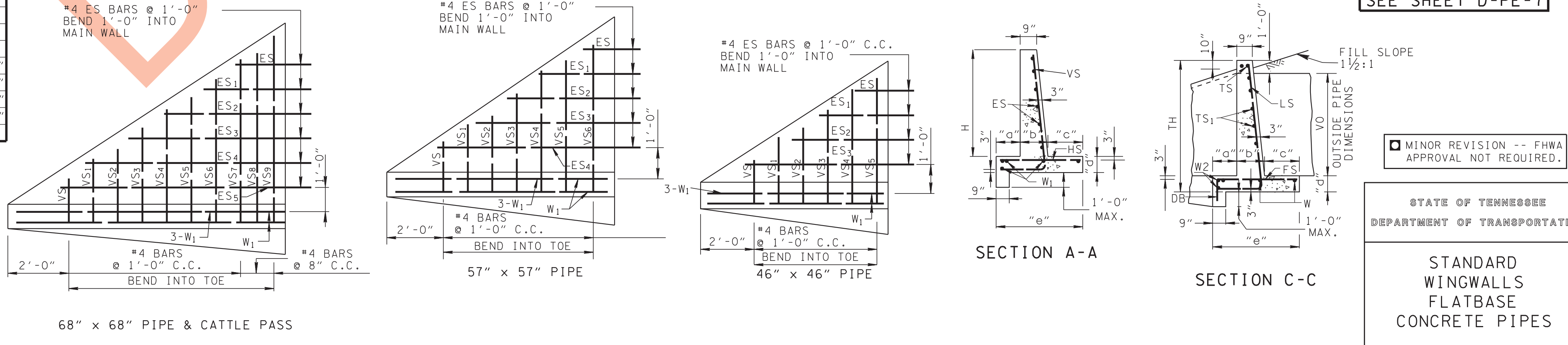
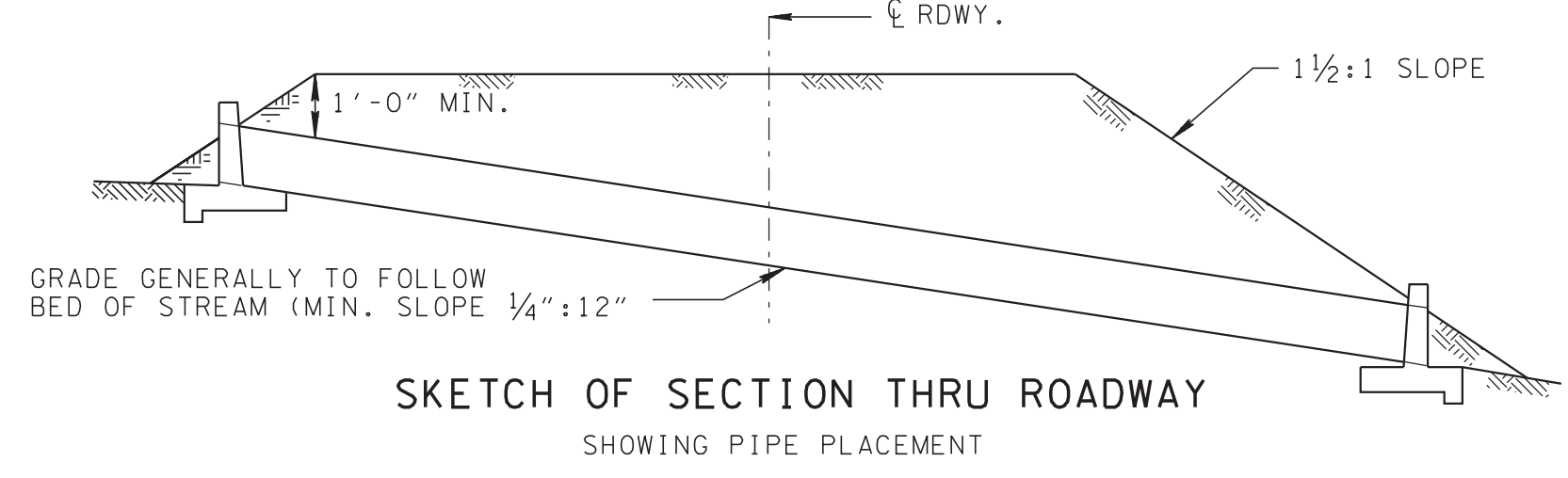
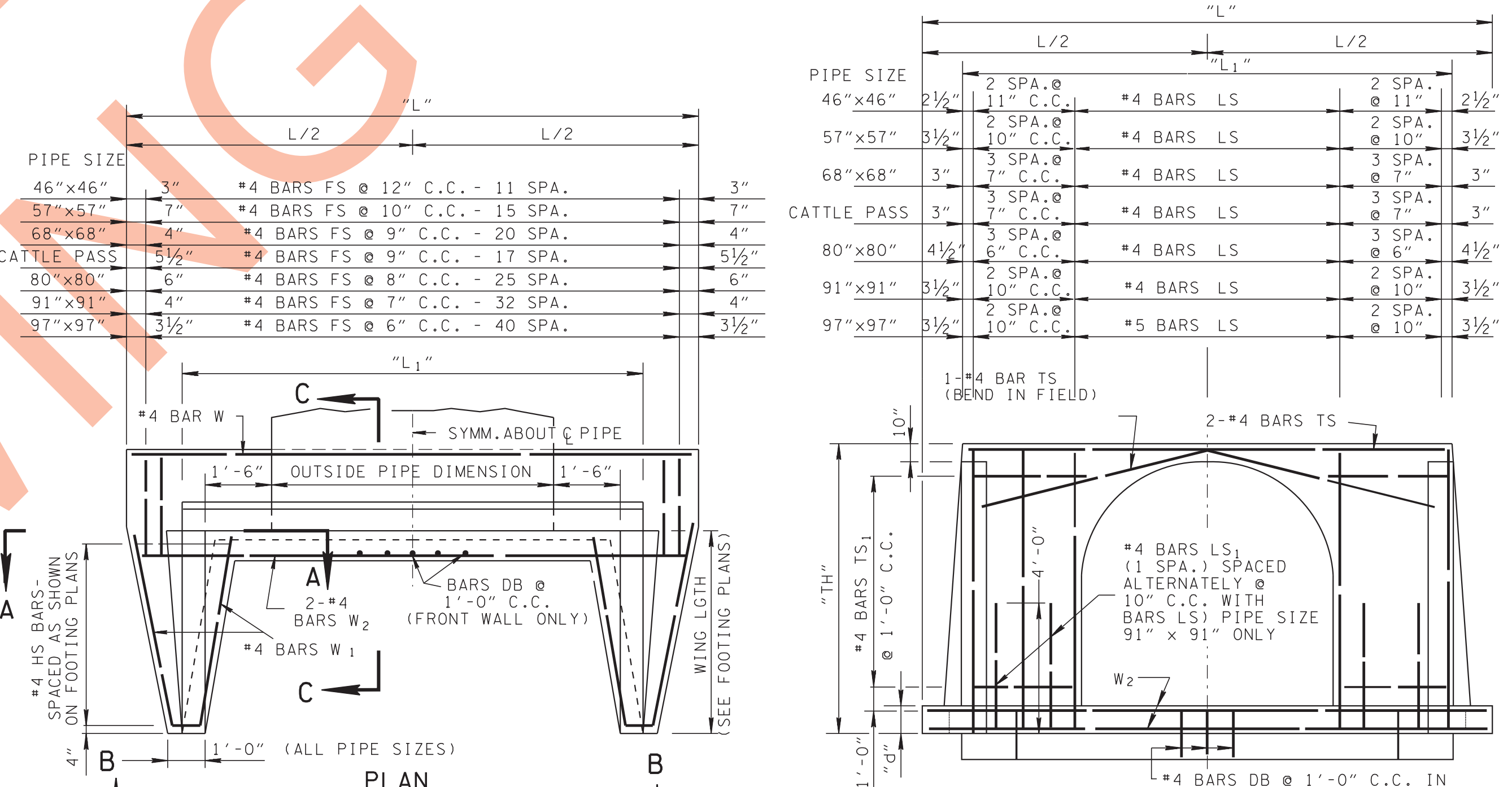
TABLE OF DIMENSIONS & ESTIMATED QUANTITIES - (ONE WALL)													
OPENING		DIMENSIONS										ESTIMATED QUANTITIES	
PIPE SIZE	AREA SQ. FT.	WALL					FOOTING					CONCRETE TOTAL CU. YDS.	REINF. STEEL TOTAL LBS.
		"L"	"L ₁ "	"H"	"V0"	"a"	"b"	"c"	"d"	"e"			
46"x46"	12.87	11'-6"	9'-2"	4'-10 1/2"	6'-8"	4'-8 1/2"	7"	9"	1'-2"	13 1/2"	2'-6"	4.1	212
57"x57"	19.81	13'-8"	10'-3"	6'-0"	7'-10"	5'-10"	8 1/2"	10"	1'-7 1/2"	1'-0"	3'-2"	5.9	282
68"x68"	28.00	15'-8"	11'-6"	7'-4"	9'-2"	7'-2"	1'-0"	1'-0"	1'-10"	1'-0"	3'-10"	8.6	406
CATTLE PASS	—	13'-8"	9'-6"	7'-2"	9'-0"	7'-0"	1'-0"	1'-0"	1'-10"	1'-0"	3'-10"	8.0	383
80"x80"	38.90	17'-8"	12'-6"	8'-4"	10'-3"	8'-2"	1'-2"	1'-1 1/2"	2'-2 1/2"	1'-1"	4'-6"	11.1	513
91"x91"	50.40	19'-4"	13'-6"	9'-2 1/2"	11'-3"	9'-0 1/2"	1'-4"	1'-3"	2'-5"	1'-2 1/2"	5'-0"	15.0	647
97"x97"	57.30	20'-7"	14'-1"	9'-10"	12'-0"	9'-8"	1'-6"	1'-4"	2'-8"	1'-4"	5'-6"	17.4	763

BILL OF STEEL (ONE WALL)																
BAR	SIZE	PIPE SIZE														
		46"x46"		57"x57"		68"x68"		CATTLE PASS		80"x80"		91"x91"		97"x97"		
		NO.	LGTH.	NO.	LGTH.	NO.	LGTH.	NO.	LGTH.	NO.	LGTH.	NO.	LGTH.	NO.	LGTH.	
DB	#4	9	1'-6"	10	1'-6"	11	1'-6"	11	1'-6"	13	1'-6"	14	1'-6"			
ES	#4	2	2'-0"	2	2'-3"	2	2'-9"	2	2'-9"	2	3'-0"	2	2'-6"	2	3'-9"	
ES1	#4	2	3'-6"	2	3'-9"	2	4'-3"	2	4'-3"	2	4'-6"	2	4'-0"	2	5'-3"	
ES2	#4	2	5'-0"	2	5'-3"	2	5'-9"	2	5'-9"	2	6'-0"	2	5'-6"	2	6'-9"	
ES3	#4	2	6'-6"	2	6'-9"	2	7'-3"	2	7'-3"	2	7'-6"	2	7'-0"	2	8'-0"	
ES4	#4	—	—	2	8'-3"	2	8'-9"	2	8'-9"	2	9'-0"	2	8'-6"	2	9'-6"	
ES5	#4	—	—	—	—	2	10'-3"	2	10'-3"	2	10'-6"	2	10'-3"	2	11'-0"	
ES6	#4	—	—	—	—	—	—	—	—	2	12'-0"	2	11'-9"	2	12'-6"	
ES7	#4	—	—	—	—	—	—	—	—	2	13'-0"	2	14'-0"			
HS	#4	2	6"	2	6"	2	6"	2	6"	2	6"	2	6"	2	6"	
HS1	#4	2	1'-0"	2	1'-0"	2	1'-0"	2	1'-0"	2	1'-0"	2	1'-0"	2	1'-0"	
HS2	#4	4	1'-3"	4	1'-3"	2	1'-3"	2	1'-3"	2	1'-3"	2	1'-3"	2	1'-3"	
HS3	#4	2	1'-6"	2	1'-6"	2	1'-6"	2	1'-6"	2	1'-6"	2	1'-6"	2	1'-6"	
HS4	#4	2	1'-9"	2	1'-9"	2	1'-9"	2	1'-9"	2	1'-9"	2	1'-9"	2	1'-9"	
HS5	#4	2	2'-0"	2	2'-0"	2	2'-0"	2	2'-0"	2	2'-0"	2	2'-0"	2	2'-0"	
HS6	#4	—	—	2	2'-3"	2	2'-3"	2	2'-3"	2	2'-3"	2	2'-3"	2	2'-3"	
HS7	#4	—	—	2	2'-6"	2	2'-6"	2	2'-6"	2	2'-6"	2	2'-6"	2	2'-6"	
HS8	#4	—	—	—	—	2	2'-9"	2	2'-9"	2	2'-9"	2	2'-9"	2	2'-9"	
HS9	#4	—	—	—	—	2	3'-0"	2	3'-0"	2	3'-0"	2	3'-0"	2	3'-0"	
HS10	#4	—	—	—	—	4	3'-3"	4	3'-3"	2	3'-3"	2	3'-3"	2	3'-3"	
HS11	#4	—	—	—	—	—	—	4	3'-6"	4	3'-6"	2	3'-6"	2	3'-6"	
HS12	#4	—	—	—	—	—	—	—	—	2	3'-9"	2	3'-9"	2	3'-9"	
HS13	#4	—	—	—	—	—	—	—	—	2	4'-0"	2	4'-0"	2	4'-0"	
HS14	#4	—	—	—	—	—	—	—	—	4	4'-3"	2	4'-3"	2	4'-3"	
HS15	#4	—	—	—	—	—	—	—	—	—	—	4	4'-6"	2	4'-6"	
HS16	#4	—	—	—	—	—	—	—	—	—	—	—	—	2	4'-9"	
TS	#4	3	8'-9"	3	9'-9"	3	11'-0"	3	9'-0"	3	12'-0"	3	13'-0"	3	13'-6"	
TS1	#4	10	1'-9"	12	1'-9"	14	1'-9"	14	1'-9"	16	1'-9"	18	1'-9"	20	1'-9"	
VS	#4	2	2'-0"	2	2'-3"	2	2'-9"	2	2'-9"	2	2'-3"	2	2'-9"	2	2'-9"	
VS1	#4	2	2'-9"	2	3'-0"	2	3'-0"	2	3'-0"	2	3'-3"	2	3'-3"	2	3'-6"	
VS2	#4	2	3'-6"	2	3'-9"	2	3'-9"	2	3'-9"	2	4'-0"	2	4'-0"	2	4'-3"	
VS3	#4	2	4'-0"	2	4'-6"	2	4'-6"	2	4'-6"	2	4'-9"	2	4'-9"	2	5'-0"	
VS4	#4	2	4'-9"	2	5'-3"	2	5'-3"	2	5'-3"	2	5'-6"	2	5'-6"	2	5'-9"	
VS5	#4	2	5'-6"	2	5'-9"	2	6'-0"	2	6'-0"	2	6'-3"	2	6'-3"	2	6'-6"	
VS6	#4	—	—	2	6'-6"	2	6'-9"	2	6'-9"	2	7'-3"	2	7'-0"	2	7'-6"	
VS7	#4	—	—	—	—	2	7'-6"	2	7'-6"	2	8'-0"	2	7'-6"	2	8'-0"	
VS8	#4	—	—	—	—	2	8'-0"	2	8'-0"	2	8'-9"	2	8'-0"	2	8'-6"	
VS9	#4	—	—	—	—	2	8'-6"	2	8'-6"	2	9'-3"	2	8'-9"	2	9'-3"	
VS10	#4	—	—	—	—	—	—	—	—	2	9'-9"	2	9'-3"	2	9'-9"	
VS11	#4	—	—	—	—	—	—	—	—	2	10'-3"	2	9'-9"	2	10'-0"	
VS12	#4	—	—	—	—	—	—	—	—	—	—	2	10'-3"	2	10'-6"	
VS13	#4	—	—	—	—	—	—	—	—	—	—	2	11'-0"	2	11'-3"	
VS14	#4	—	—	—	—	—	—	—	—	—	—	2	11'-6"	2	11'-9"	
VS15	#4	—	—	—	—	—	—	—	—	—	—	4	5'-9"	2	12'-6"	
VS16	#4	—	—	—	—	—	—	—	—	—	—	—	—	4	5'-9"	
VS17	#4	—	—	—	—	—	—	—	—	—	—	—	—	—	2	6'-0"
FS	#4	12	2'-0"	16	2'-9"	21	3'-4"	18	3'-4"	26	4'-0"	33	4'-6"	41	5'-0"	
LS	#4	6	6'-9"	6	8'-3"	8	10'-0"	8	9'-9"	8	11'-3"	6	12'-9"	—	—	
LS1	#4	—	—	—	—	—	—	—	—	—	—	4	5'-9"	—	—	
LS	#5	—	—	—	—	—	—	—	—	—	—	—	—	6	13'-9"	
W	#4	2	11'-0"	2	13'-0"	2	15'-0"	2	13'-0"	2	17'-0"	2	18'-9"	2	20'-0"	
W1	#4	8	7'-0"	8	8'-6"	8	10'-6"	8	10'-6"	8	12'-0"	8	13'-6"	8	14'-6"	
W2	#4	2	10'-6"	2	12'-6"	2	14'-6"	2	12'-6"	2	16'-6"	2	13'-0"	2	14'-0"	

WING ELEVATIONS



FOOTING PLANS



FOR 90° SKEW SEE SHEET D-PE-7

MINOR REVISION -- FHWA APPROVAL NOT REQUIRED.