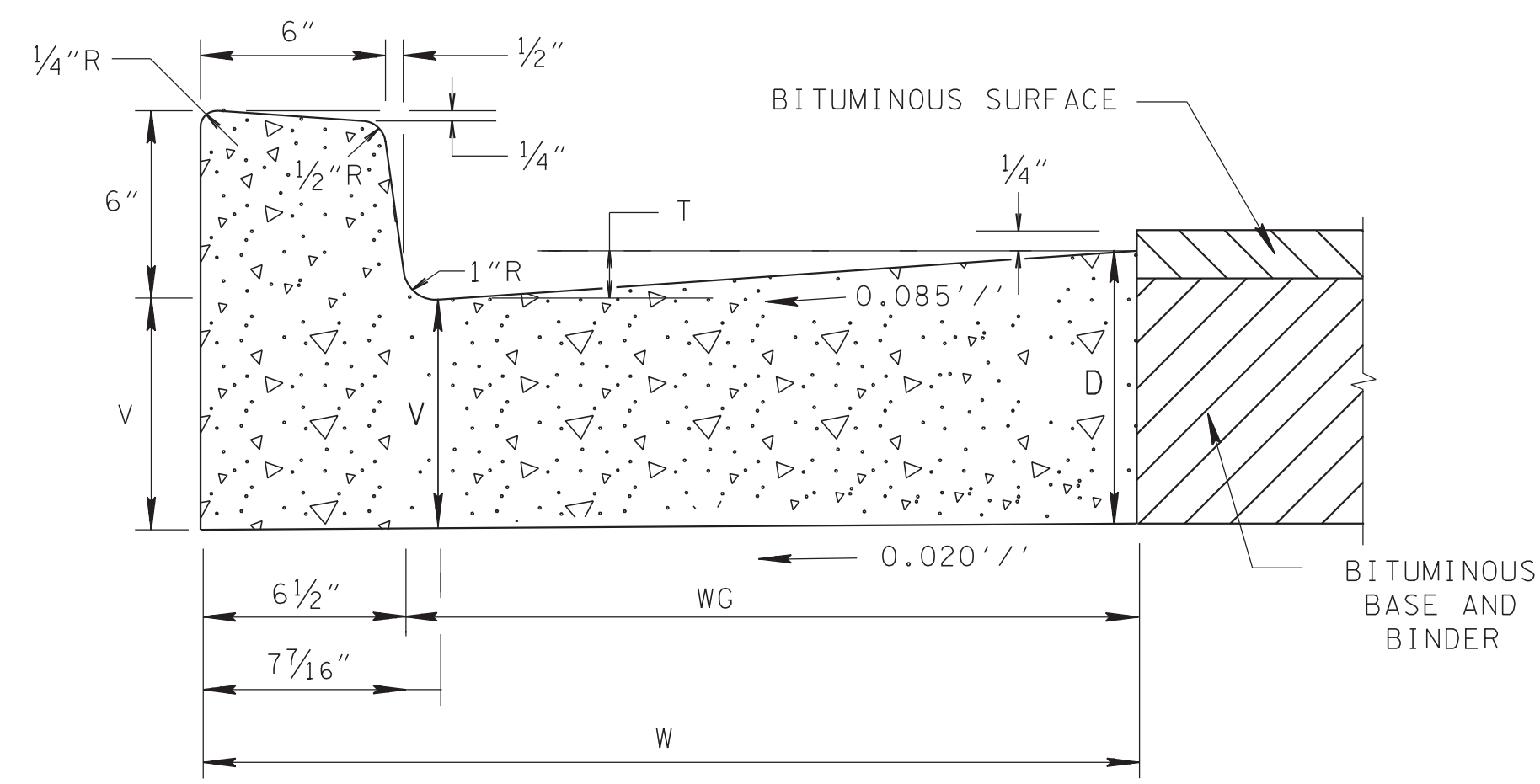
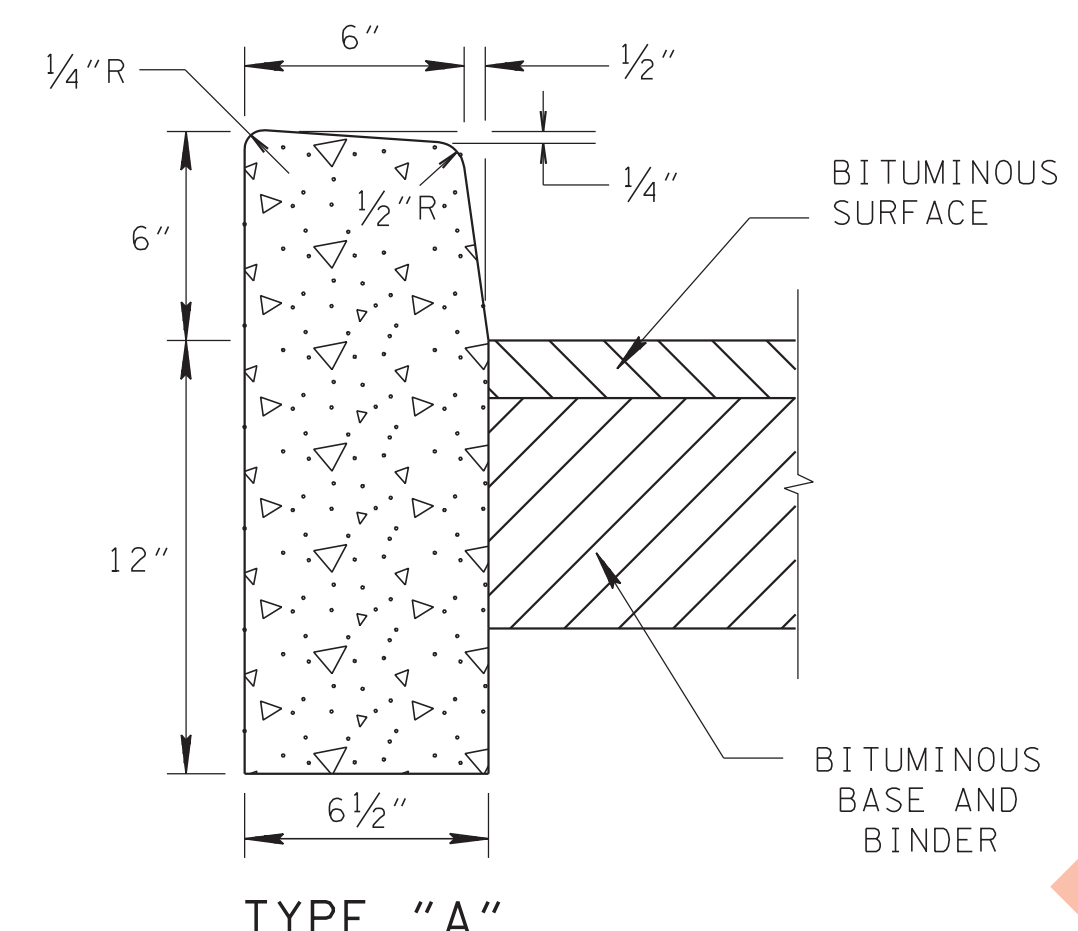


- REV. 11-1-69: REDREW SHEET.
- REV. 7-1-72: CHANGED DEPARTMENT NAME.
- REV. 11-10-72: CHANGED NOTE REGARDING JOINTS IN CURBS AND GUTTERS.
- REV. 1-1-76: CHANGED ITEM NUMBER TO AGREE WITH NEW SPECIFICATION BOOK.
- REV. 7-17-81: CHANGED ITEM NUMBER TO AGREE WITH NEW SPECIFICATION BOOK.
- REV. 10-26-91: DREW NEW SHEET INCLUDING INFORMATION PREVIOUSLY ON DRAWING NO. RP-C-15 REGARDING SIX-INCH NONMOUNTABLE DETACHED CONCRETE CURBS AND SIX-INCH MOUNTABLE CONCRETE COMBINED CURB AND GUTTER.
- REV. 10-26-93: CHANGED BOTTOM SLOPE OF 6" COMBINED CURB AND GUTTER FROM 0.085'/' TO 0.020'/' UNDER QUANTITIES FOR COMBINED CURB AND GUTTER BLOCK CHANGED ALL QUANTITIES. CHANGED SIZE AND SPACING OF EXPANSION JOINT. ADDED GENERAL NOTE FOR CONTRACTION JOINT.
- REV. 10-26-97: CORRECTED LABELING OF PAVEMENT ON DETAILS.
- REV. 2-28-02: CHANGED SHEET NAME. CHANGED REFERENCE TO CURB FROM NONMOUNTABLE TO VERTICAL.
- REV. 7-29-03: CORRECTED DRAWING NUMBER.

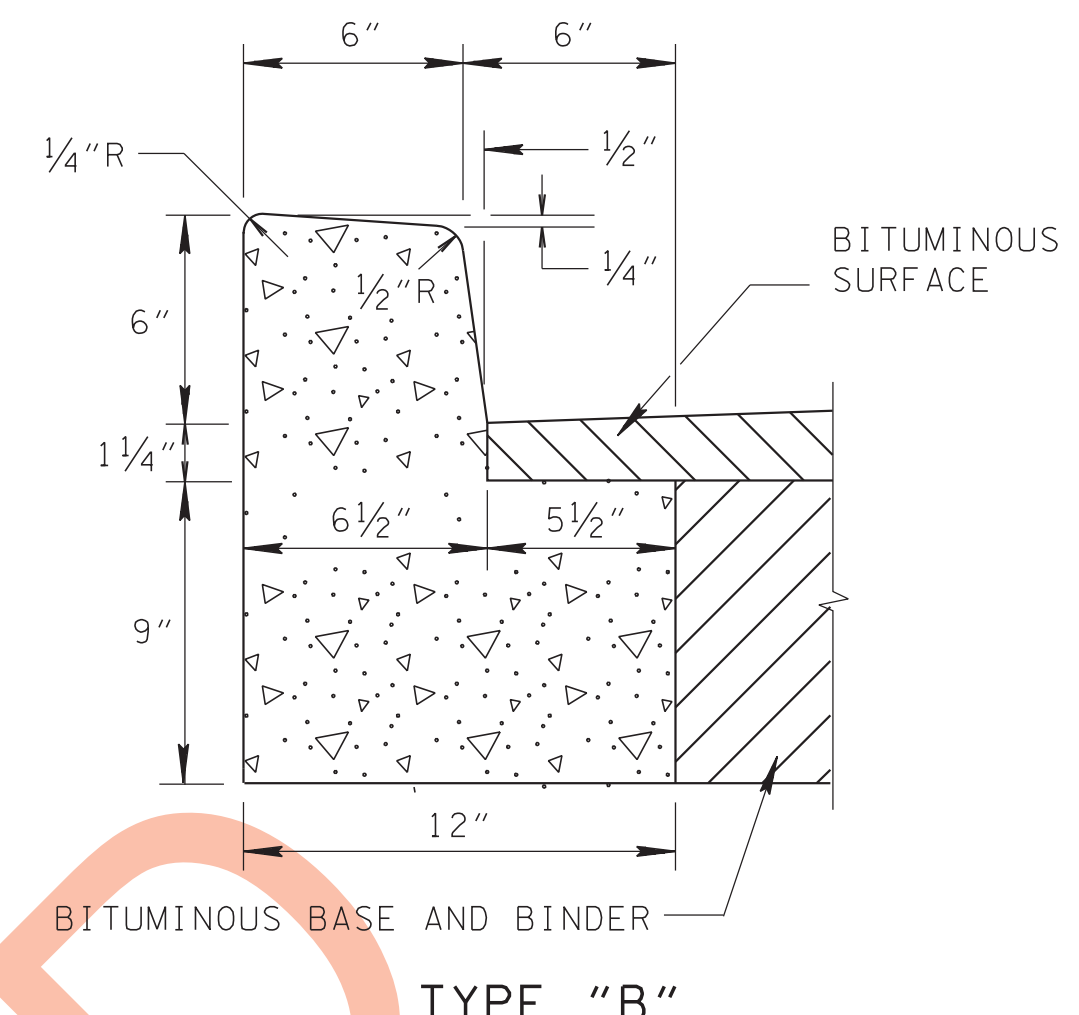


6" CONCRETE COMBINED CURB AND GUTTER

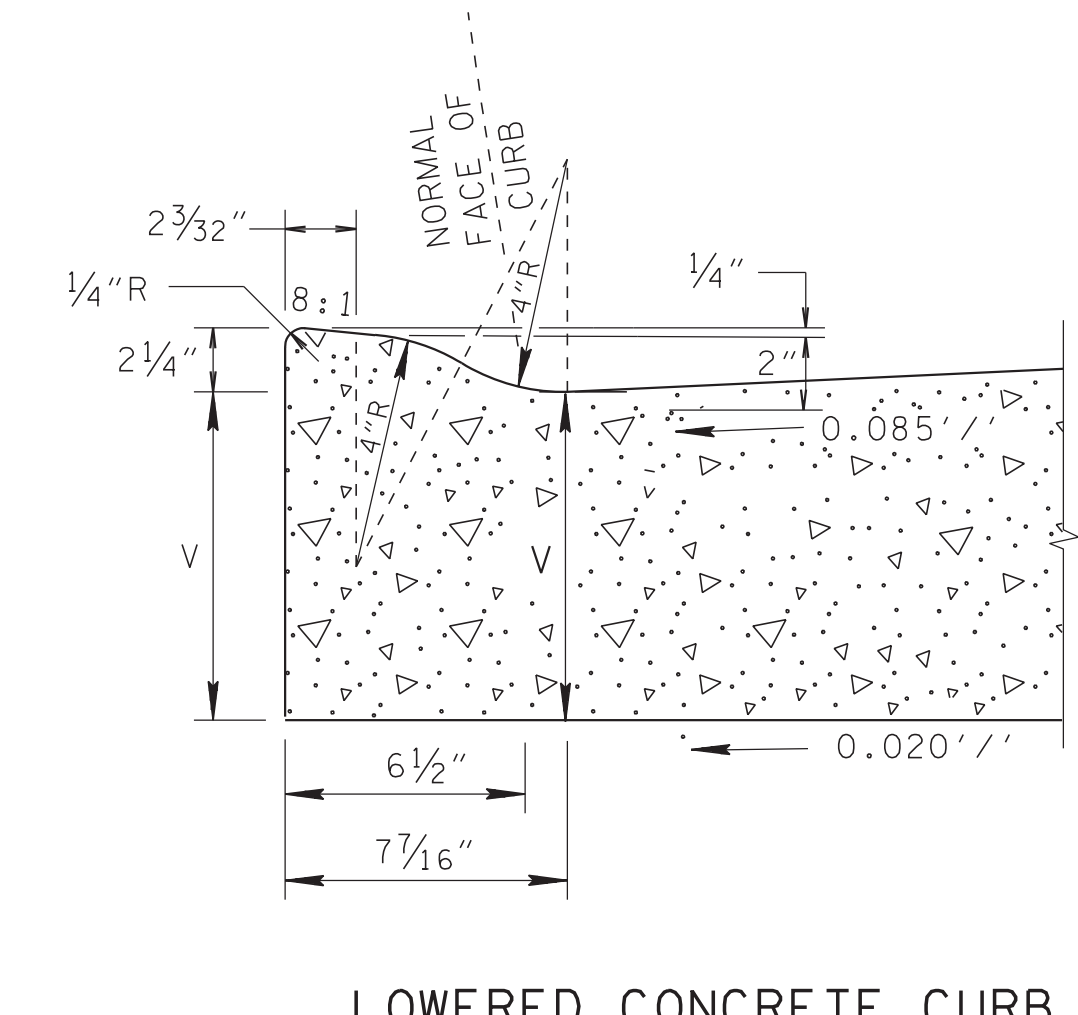


TYPE "A"

6" DETACHED CONCRETE CURBS



TYPE "B"



LOWERED CONCRETE CURB

TYPE	TOTAL WIDTH (W) IN INCHES	WIDTH OF GUTTER (WG) IN INCHES	VERTICAL DROP (T) IN INCHES	VERTICAL DEPTH (D) OF GUTTER	VERTICAL DEPTH (V) OF GUTTER AT FLOW LINE
6-30	30	23 1/2	2	AS NOTED ON TYPICAL X-SECTIONS	D - 1.53"
6-36	36	29 1/2	2 1/2		D - 1.91"
6-42	42	35 1/2	3		D - 2.29"

VERTICAL DEPTH (V) MUST ALWAYS EXCEED SIX (6) INCHES.

HEIGHT OF CURB	CUBIC YARD PER LINEAR FOOT	
	TYPE "A"	TYPE "B"
6"	0.02950	0.03973

- | | |
|---|---|
| ① | TO BE BUILT AS COMBINED CURB AND GUTTER, DETACHED CURB OR INTEGRAL CURB AS NOTED ON THE PLANS OR AS DIRECTED BY THE ENGINEER. |
| ② | FOR DETACHED CURB, OMIT RADIUS AT FLOW LINE. |
| ③ | TO BE USED FOR PROPOSED RAMP OPENINGS. |

HEIGHT OF CURB	DEPTH (D) OF GUTTER IN INCHES	TOTAL WIDTH (W) IN INCHES	CUBIC YARDS PER LINEAR FOOT	DEPTH (D) OF GUTTER IN INCHES	TOTAL WIDTH (W) IN INCHES	CUBIC YARDS PER LINEAR FOOT	DEPTH (D) OF GUTTER IN INCHES	TOTAL WIDTH (W) IN INCHES	CUBIC YARDS PER LINEAR FOOT	DEPTH (D) OF GUTTER IN INCHES	TOTAL WIDTH (W) IN INCHES	CUBIC YARDS PER LINEAR FOOT	DEPTH (D) OF GUTTER IN INCHES	TOTAL WIDTH (W) IN INCHES	CUBIC YARDS PER LINEAR FOOT
LOWERED CURB	8	30	0.05711	9	30	0.06483	10	30	0.07254	11	30	0.08026	12	30	0.08799
	8	36	0.07085	9	36	0.08011	10	36	0.08934	11	36	0.09860	12	36	0.10786
	8	42	0.09631	9	42	0.09631	10	42	0.10711	11	42	0.11791	12	42	0.12872
6"	8	30	0.06409	9	30	0.07181	10	30	0.07953	11	30	0.08724	12	30	0.09496
	8	36	0.07780	9	36	0.08706	10	36	0.09632	11	36	0.10558	12	36	0.11484
	8	42	0.10329	9	42	0.10329	10	42	0.11409	11	42	0.12489	12	42	0.13570

- | | | | | | | | |
|---|--|-----------------|------------------------------|-----------------|--------------------------------|-----------------|--|
| <p>(A) FOR SPECIFICATIONS SEE "STANDARD SPECIFICATIONS FOR ROAD AND BRIDGE CONSTRUCTION" OF THE TENNESSEE DEPARTMENT OF TRANSPORTATION, SECTION 702 - CEMENT CONCRETE CURB, GUTTER AND COMBINED CURB AND GUTTER.</p> <p>(B) THE FRONT FACE OF THE CONCRETE CURBS FOR ALL DEGREES OF CURVATURE SHALL CONFORM TO THE CONTOUR OF THE CURVE AND NO CHORD SECTIONS WILL BE PERMITTED.</p> <p>(C) CONCRETE EXPANSION JOINT MATERIAL IS TO BE 3/4" PREMOLDED FIBER IN ACCORDANCE WITH SECTION 905 - JOINT MATERIALS OF THE STANDARD SPECIFICATIONS.</p> <p>(D) EXPANSION JOINTS ARE TO BE PLACED AS FOLLOWS:</p> <ol style="list-style-type: none"> ① AT TANGENT POINTS OF CIRCULAR CURBS ② BETWEEN CURBS AND ABUTTING RIGID OBJECTS ③ AT OTHER PLACES WHERE STRESSES MAY DEVELOP ④ SO AS TO LINE UP WITH PAVEMENT JOINTS WHERE THE ADJACENT PAVEMENT IS CONCRETE ⑤ MAXIMUM SPACING IS TO BE 100 FEET | <p>(E) CONTRACTION JOINTS ARE TO BE SPACED AT 10 FEET. THE SPACING OF 10 FEET MAY BE REDUCED FOR CLOSURES, BUT NOT LESS THAN 6 FEET.</p> <p>(F) EDGES OF JOINTS SHALL BE FINISHED ON ONE-QUARTER INCH RADIUS.</p> <p>(G) ALL COST OF JOINTS SHALL BE INCLUDED IN THE UNIT PRICE BID FOR CONCRETE CURBS AND CONCRETE GUTTERS.</p> <p>(H) THE UNIT PRICE BID FOR CONCRETE CURB, CONCRETE CURB AND GUTTER AND CONCRETE PAVEMENT WILL INCLUDE ANY CIRCULAR SECTION REQUIRED TO BE BUILT CONFORMING TO SECTIONS SHOWN ON THIS SHEET.</p> <p>(I) PAYMENT WILL BE AS FOLLOWS:</p> <table style="margin-left: 20px;"> <tr> <td>ITEM NO. 702-01</td> <td>CONCRETE CURB PER CUBIC YARD</td> </tr> <tr> <td>ITEM NO. 702-02</td> <td>CONCRETE GUTTER PER CUBIC YARD</td> </tr> <tr> <td>ITEM NO. 702-03</td> <td>CONCRETE COMBINED CURB AND GUTTER PER CUBIC YARD</td> </tr> </table> | ITEM NO. 702-01 | CONCRETE CURB PER CUBIC YARD | ITEM NO. 702-02 | CONCRETE GUTTER PER CUBIC YARD | ITEM NO. 702-03 | CONCRETE COMBINED CURB AND GUTTER PER CUBIC YARD |
| ITEM NO. 702-01 | CONCRETE CURB PER CUBIC YARD | | | | | | |
| ITEM NO. 702-02 | CONCRETE GUTTER PER CUBIC YARD | | | | | | |
| ITEM NO. 702-03 | CONCRETE COMBINED CURB AND GUTTER PER CUBIC YARD | | | | | | |

- | | |
|-----|---|
| D- | VERTICAL DEPTH OF GUTTER |
| T- | VERTICAL DROP IN GUTTER FROM FRONT EDGE TO FACE OF CURB |
| W- | TOTAL WIDTH OF COMBINED CURB AND GUTTER |
| WG- | WIDTH OF GUTTER |

MINOR REVISION -- FHWA APPROVAL NOT REQUIRED.