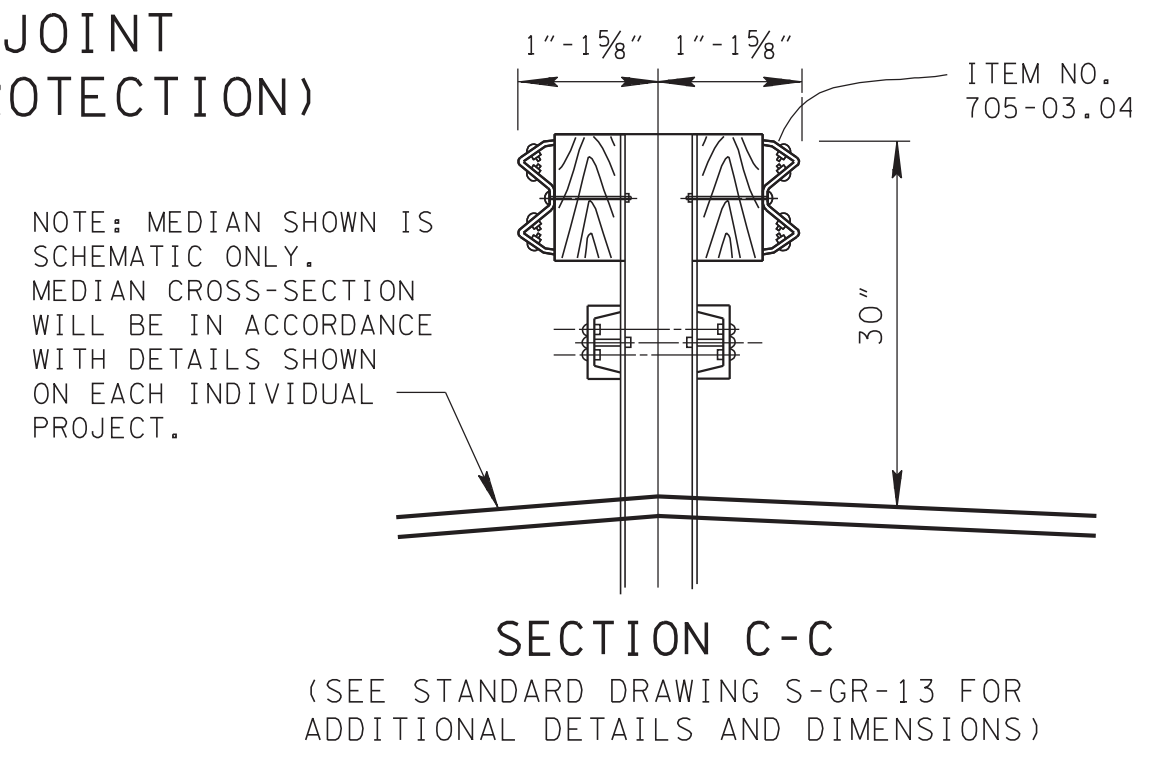


- GENERAL NOTES**
- (A) CONCRETE MEDIAN BARRIER SHALL BE CONSTRUCTED IN ACCORDANCE WITH STANDARD SPECIFICATIONS FOR ROAD AND BRIDGE CONSTRUCTION, SECTION 711 AND/OR CURRENT SPECIAL PROVISIONS.
  - (B) SEE STANDARD DRAWING S-GR-20 FOR DETAILS OF METAL MEDIAN DIVIDER GUARDRAIL AND FOR TERMINATING CONCRETE MEDIAN BARRIER.
  - (C) SEE STANDARD DRAWING S-MB-1 FOR DETAILS OF TRANSITION TO METAL MEDIAN DIVIDER GUARDRAIL.
  - (D) SEE STANDARD DRAWING S-MB-1 FOR ADDITIONAL DETAILS AND GENERAL NOTES REGARDING CONTRACTION JOINTS, EXPANSION JOINTS AND TEXTURE FINISH.
  - (E) SEE STANDARD DRAWING S-MB-1 FOR DETAILS AND REQUIREMENTS FOR MEDIAN BARRIER DELINEATOR.
  - (F) MEDIAN BARRIER DELINEATORS WILL NOT BE REQUIRED IN AREAS WHERE ROADWAY IS LIGHTED.
  - (G) THE COST OF FURNISHING AND INSTALLING MEDIAN BARRIER DELINEATORS, INCLUDING ALL MATERIALS, LABOR AND INCIDENTALS NECESSARY TO COMPLETE THE INSTALLATION, SHALL BE INCLUDED IN PRICE BID FOR CONCRETE MEDIAN BARRIER. SEE S-MB-1 FOR LOCATION.
  - (H) ALONG TOP EDGES OF CONCRETE MEDIAN BARRIER THE CONTRACTOR MAY USE 3/4" RADIUS IN LIEU OF 3/4" CHAMFER SHOWN ON THIS SHEET.
  - (I) PAYMENT WILL BE MADE UNDER ITEM NO. 711-02, CONCRETE MEDIAN BARRIER (BRIDGE PIER PROTECTION) PER LINEAR FOOT.



REV. 7-1-84: ADDED CROSS REFERENCE NOTE TO NOTE (C).

REV. 9-5-87: CHANGED ITEM NO. 705-01.03 TO ITEM NO. 705-01.06. CHANGED TRANSITION DETAIL.

REV. 7-29-91: REDREW AND REORGANIZED SHEET. CHANGED MINERAL AGGREGATE USED FOR BACKFILL FROM ITEM NO. 303-15 TO 303-10.01. CHANGED STONE SIZE FROM 467 TO 57.

REV. 10-26-92: CHANGED ITEM NUMBER FOR MINERAL AGGREGATE USED FOR BACKFILL FROM ITEM NO. 303-10.01 TO 303-15.01.

REV. 7-29-93: ADDED GENERAL NOTES REGARDING CONTRACTION AND EXPANSION JOINTS, AND TEXTURE FINISH. CHANGED WIDTH AT TOP OF WALL FROM 6" TO 10".

REV. 5-27-96: MODIFIED SECTIONAL AND ELEVATION VIEWS.

REV. 7-29-98: MODIFIED PLAN VIEW AND SECTION C-C.

REV. 9-5-98: MODIFIED GENERAL NOTE (C).

REV. 5-27-01: CHANGED ITEM NO. 705-01.06 TO 705-03.04, AND ITEM NO. 303-15.01 TO 303-10.01.