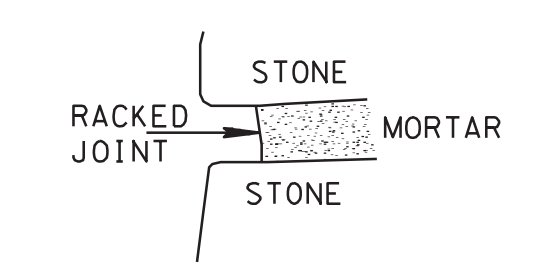
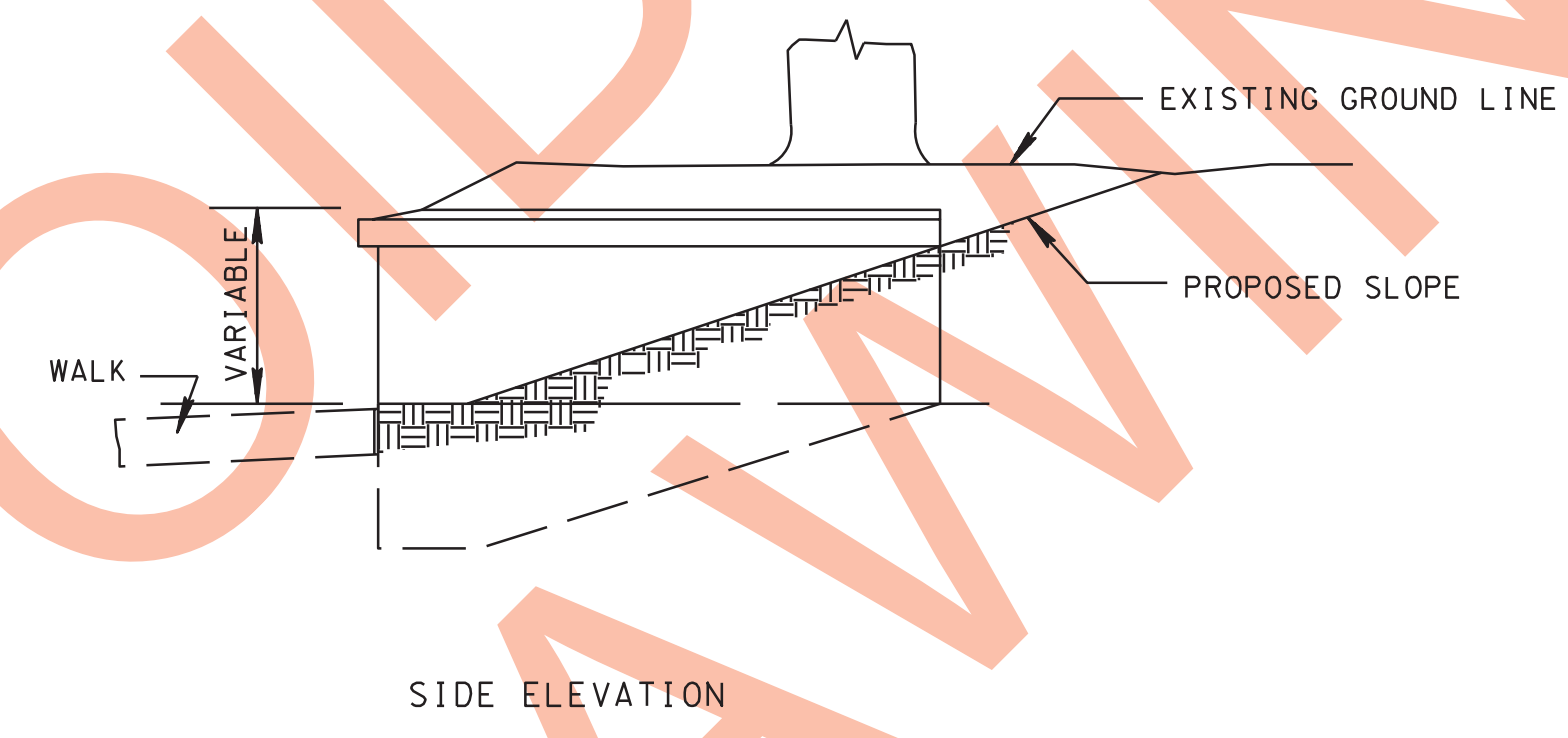
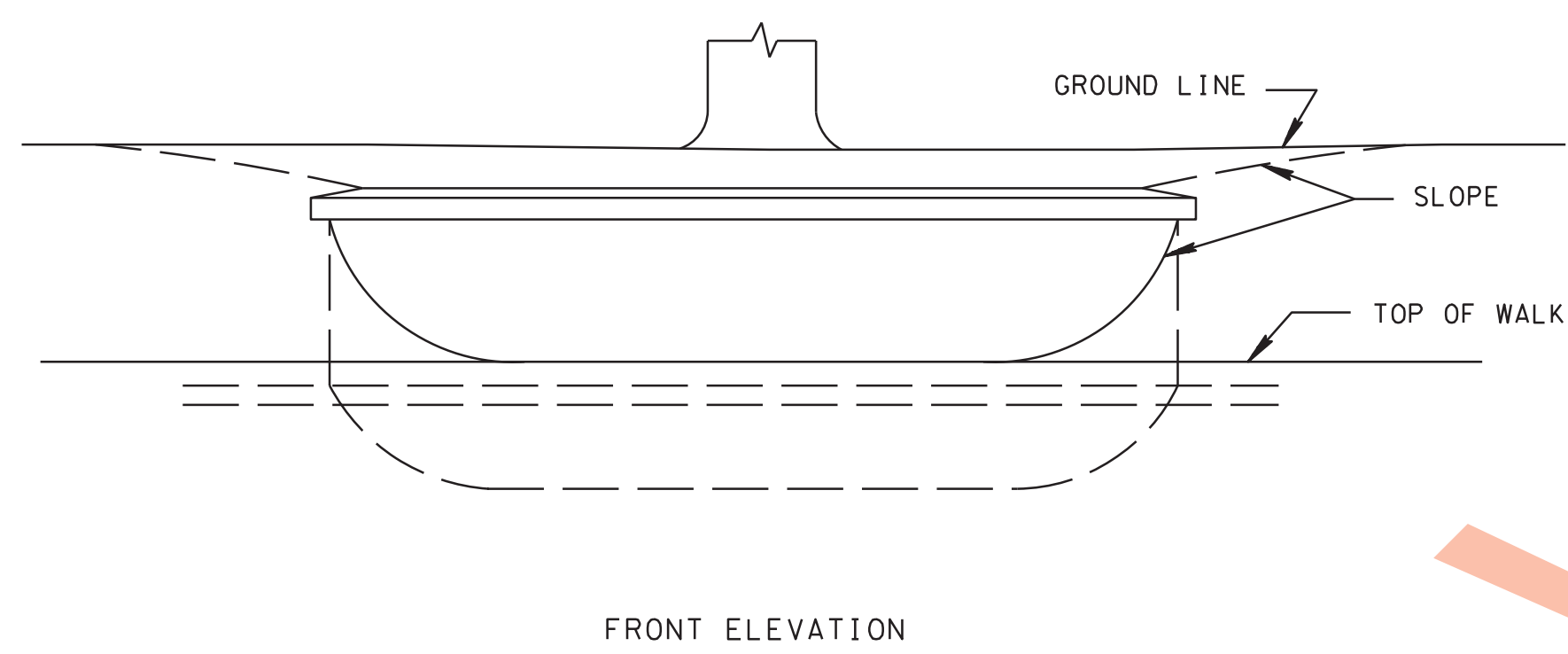
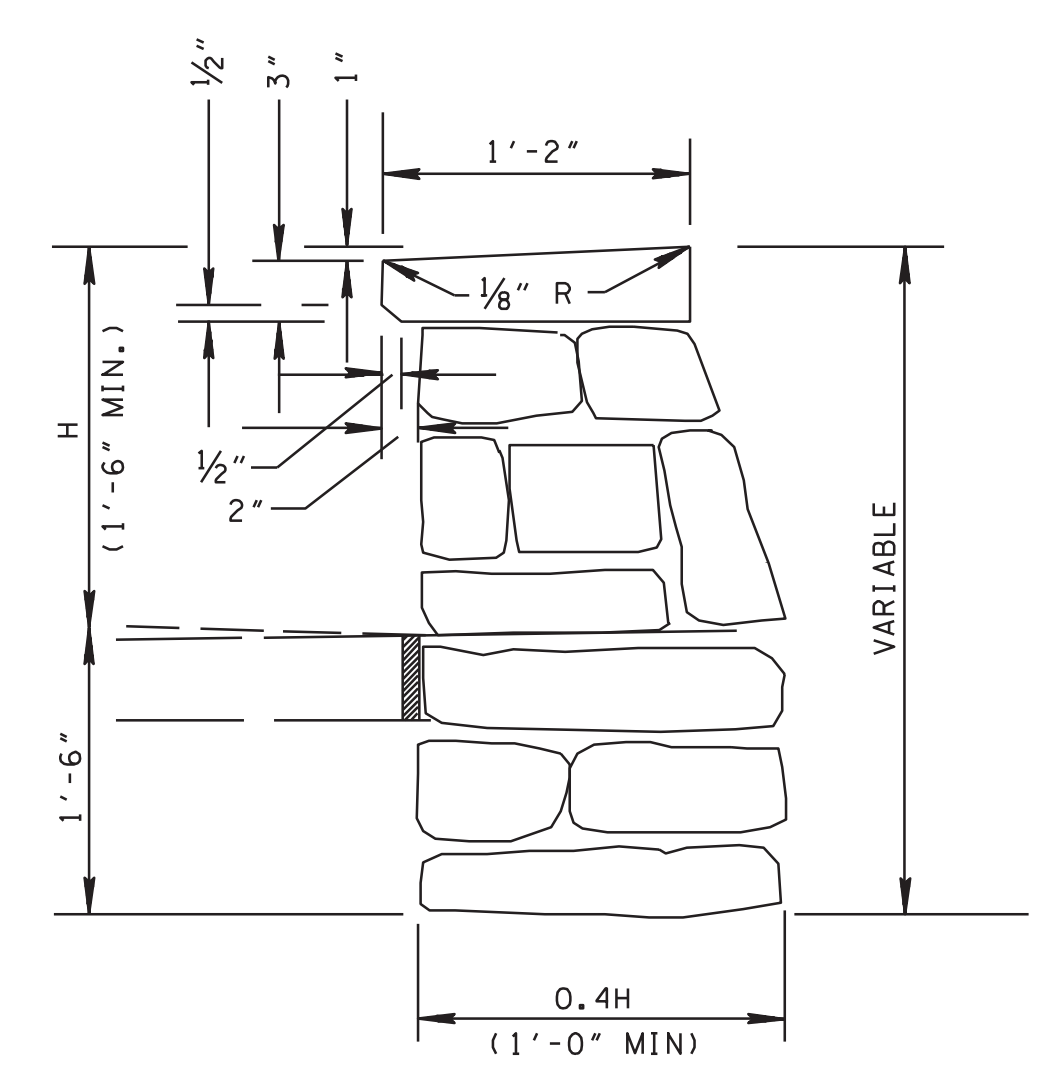
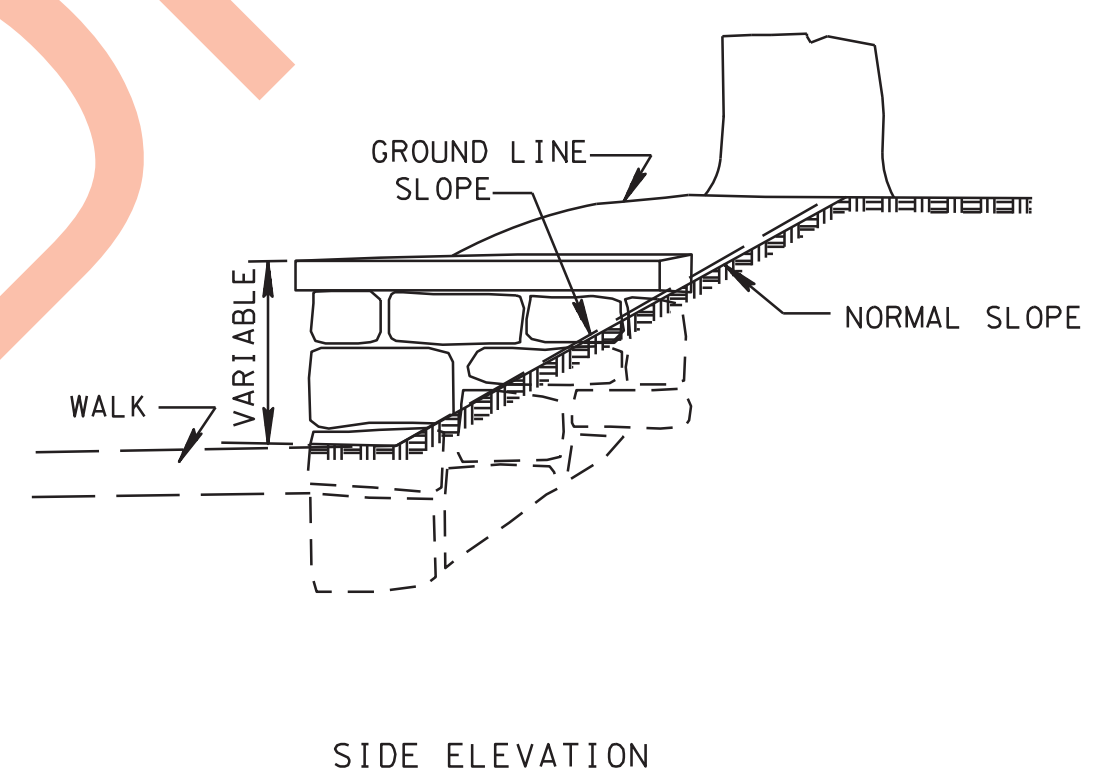
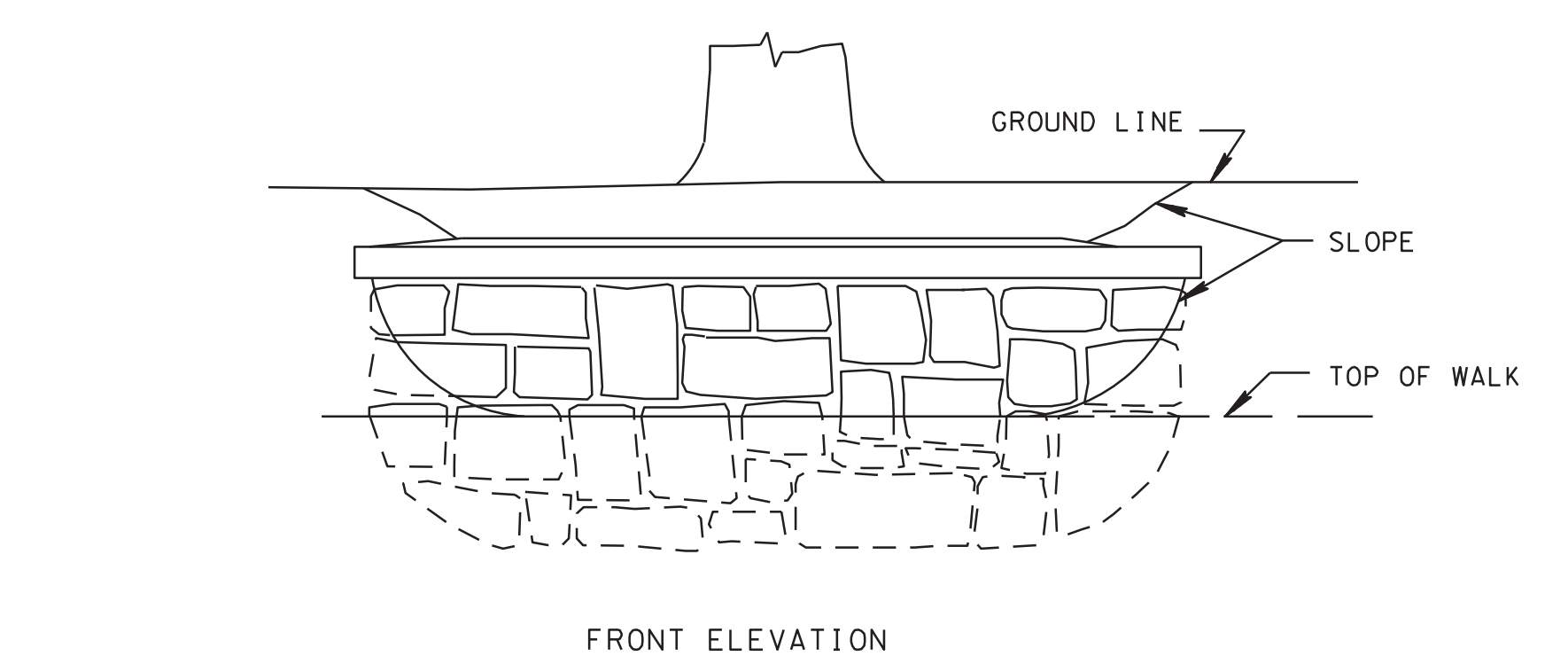


TYPICAL SECTION OF CONCRETE WALL  
NOTE: CONCRETE TO BE CLASS "A".



DETAIL OF RAKED JOINT

CONCRETE TREE WALL



TYPICAL SECTION OF STONE MASONRY WALL

STONE MASONRY TREE WALL

NOTE: WALLS SHALL BE OF UNCOURSSED MORTAR STONE MASONRY. COPING SHALL BE CLASS "A" CONCRETE.

MINOR REVISION -- FHWA APPROVAL NOT REQUIRED.

STATE OF TENNESSEE  
DEPARTMENT OF TRANSPORTATION

DETAILS  
OF  
TREE WALLS

W-TW-1