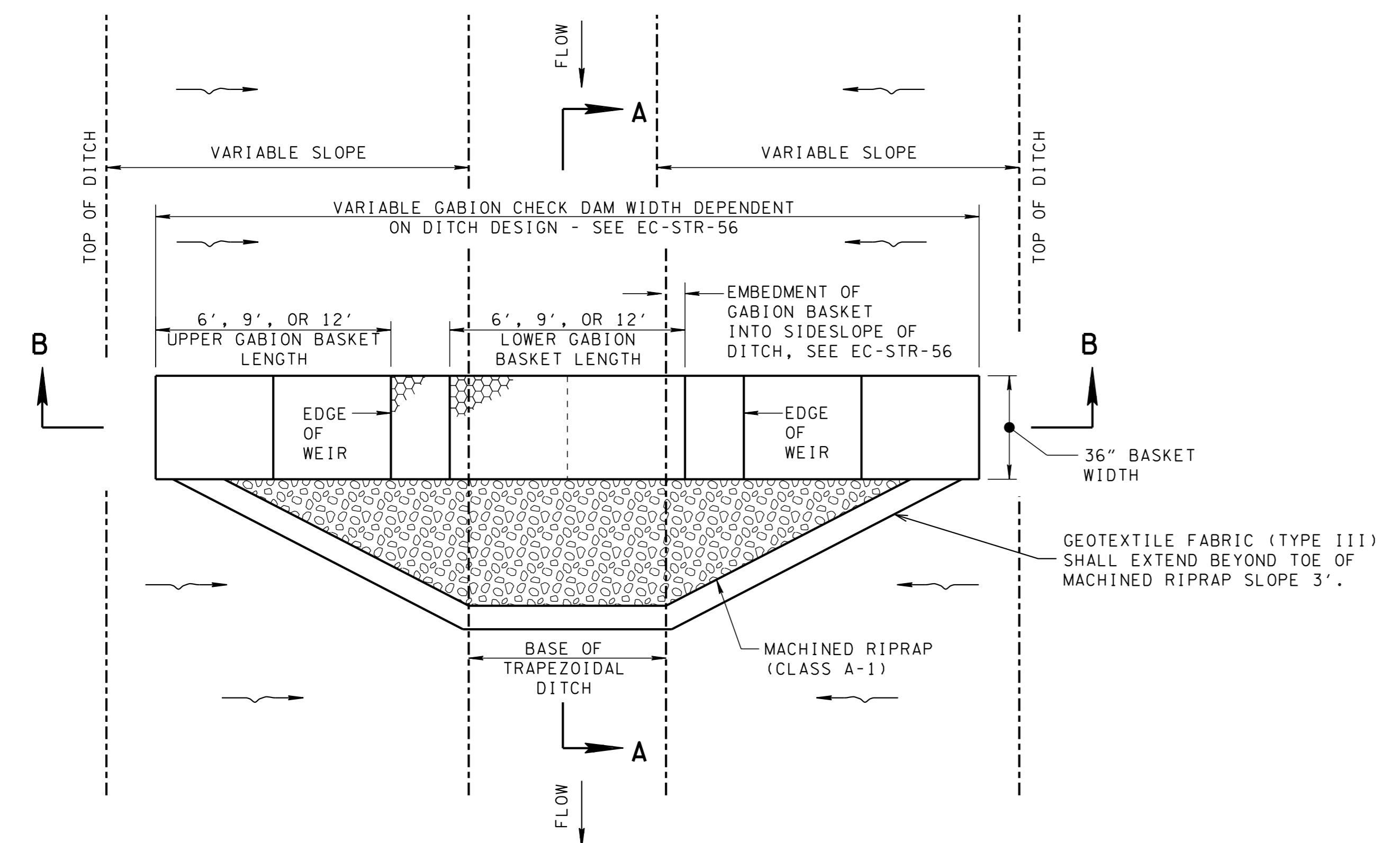
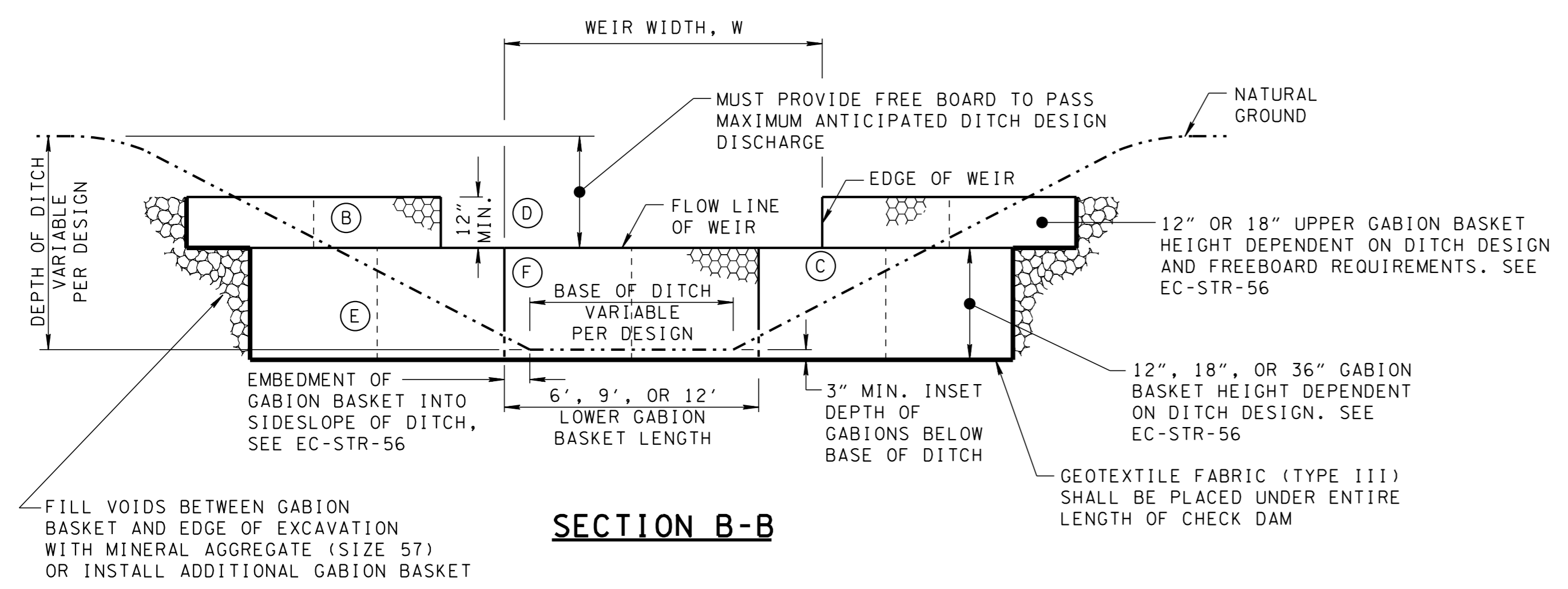


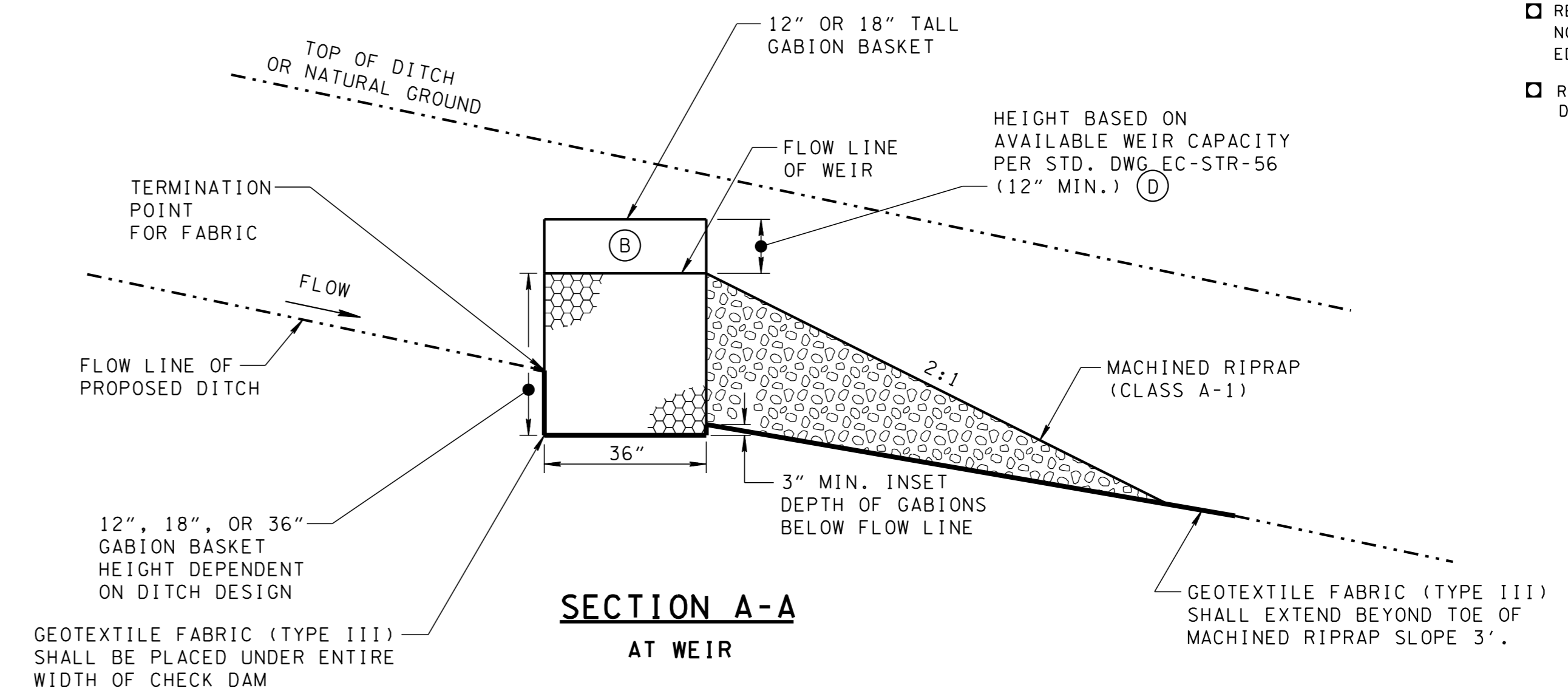
- REV. 4-15-06: REFORMATTED SHEET, REVISED NOTES, MISC. EDITS TO DRAWING.
- REV. 4-1-08: REVISED GENERAL NOTES, TABLES, MISC. DRAFTING EDITS.
- REV. 8-1-12: MINOR EDITS TO DRAWING AND GENERAL NOTES.



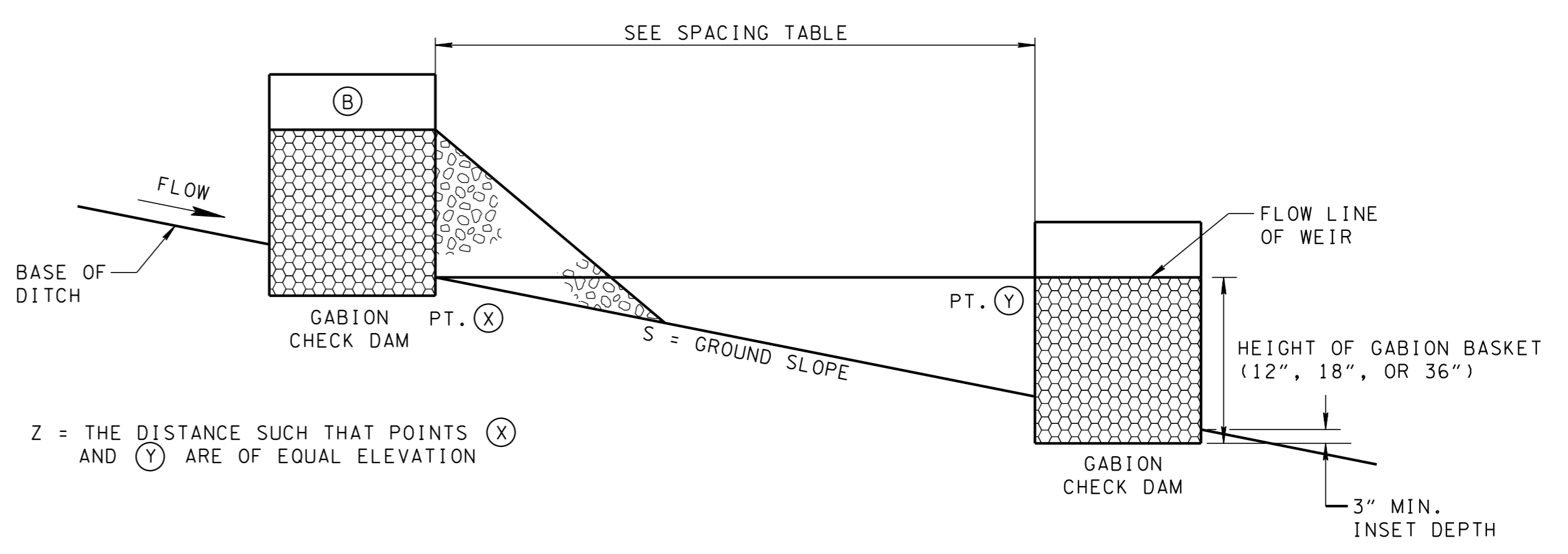
PLAN VIEW



SECTION B-B



SECTION A-A AT WEIR



GABION CHECK DAM SPACING AT CENTER OF WEIR

MAXIMUM GABION CHECK DAM SPACING TABLE (IN FEET)			
GROUND SLOPE, S (FT/FT)	12-INCH BASKETS	18-INCH BASKETS	36-INCH BASKETS
0.010	72	122	272
0.015	47	81	181
0.020	35	60	135
0.030	22	39	89
0.040	16	29	66
0.050	12	22	52
0.060	10	18	43
0.070	N/A	15	37
0.080	N/A	13	32
0.090	N/A	11	28
0.100	N/A	10	25
0.110	N/A	N/A	22
0.120	N/A	N/A	20
0.130	N/A	N/A	19
0.140	N/A	N/A	17
0.150	N/A	N/A	16
0.200	N/A	N/A	11

GABION CHECK DAM GENERAL NOTES	
(A) GABION CHECK DAMS ARE USED FOR VELOCITY REDUCTION AND EROSION PREVENTION IN AREAS WHERE CONCENTRATED FLOWS EXIST. GABION CHECK DAMS ARE NOT TO BE USED FOR SEDIMENT CONTROL AND SHOULD NOT BE CONSIDERED A SEDIMENT TRAPPING DEVICE. GABION CHECK DAMS SHALL NOT BE USED IN STREAMS OR OTHER NATURAL WATER RESOURCES.	POSSIBLE. FOR SITES WHICH DRAIN TO EXCEPTIONAL TENNESSEE WATERS OR SEDIMENT-IMPAIRED STREAMS, THE WEIR SHALL BE SIZED TO CONTAIN THE 5-YEAR, 24-HOUR STORM.
(B) HEIGHT OF UPPER GABION SHALL BE OF EQUAL OR LESSER HEIGHT THAN LOWER GABION AND SHALL NOT EXCEED 18".	(E) DIAPHRAGMS SEPARATE INDIVIDUAL GABION CELLS.
(C) VERTICAL JOINTS OF GABION BASKETS SHALL BE STAGGERED.	(F) BASKET-TO-BASKET CONNECTIONS SHALL BE AS DIRECTED
(D) SIZE WEIR TO CONTAIN THE 2-YEAR, 24-HOUR STORM. CONTAIN DESIGN DISCHARGE WITHIN WEIR STRUCTURE WHERE	(G) THE DRAINAGE AREA FOR THE GABION CHECK DAM SHALL BE 35 ACRES OR LESS.
	(H) SEE STANDARD DRAWINGS EC-STR-56, EC-STR-57, EC-STR-58, AND EC-STR-59 FOR ADDITIONAL DETAILS AND GENERAL NOTES NOT SHOWN ON THIS DRAWING.

EROSION CONTROL PLAN LEGEND: GABION CHECK DAM

□ MINOR REVISION -- FHWA APPROVAL NOT REQUIRED.

NOT TO SCALE

STATE OF TENNESSEE
DEPARTMENT OF TRANSPORTATION

GABION CHECK DAM