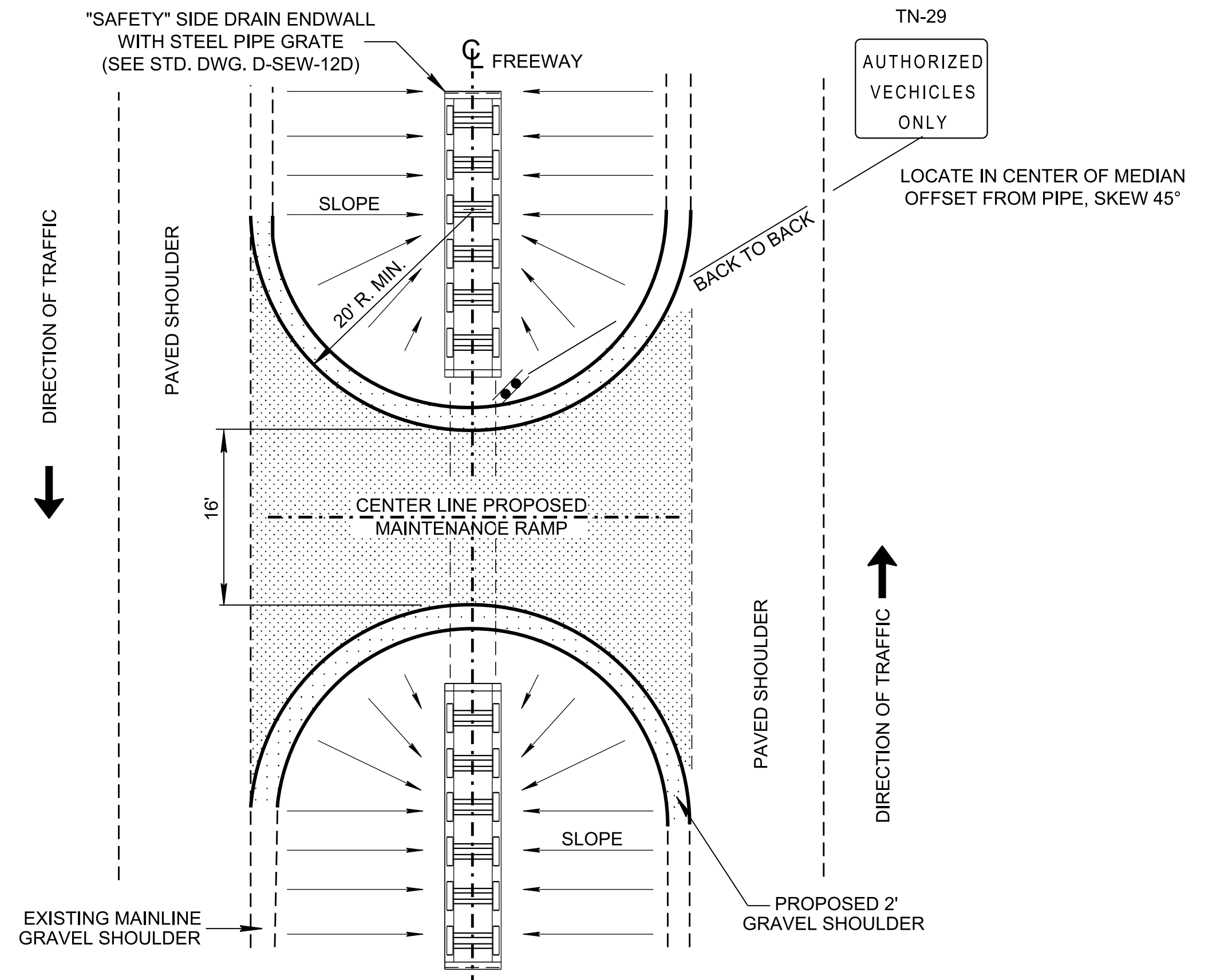
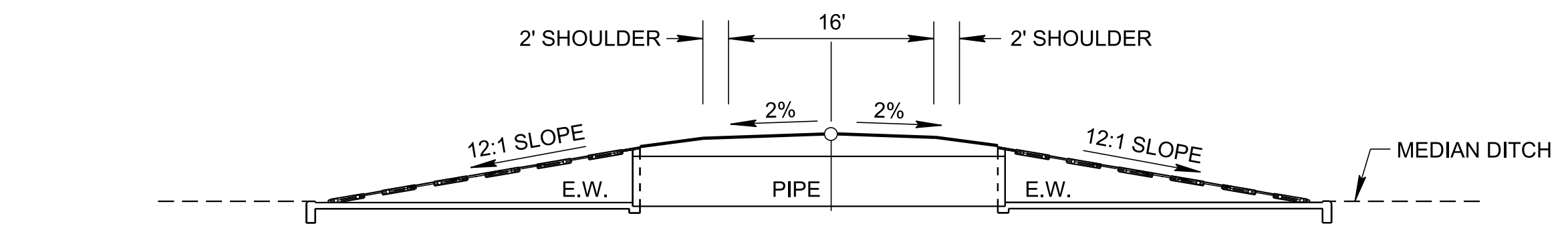


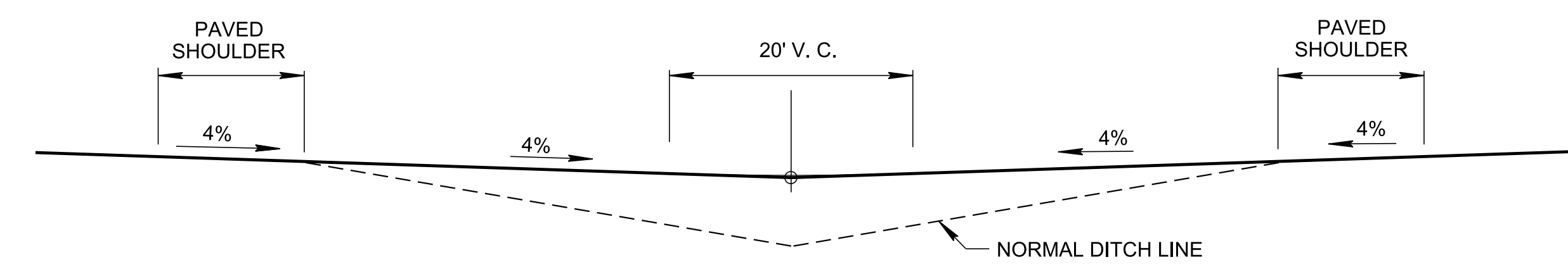
PLAN VIEW OF PROPOSED MAINTENANCE RAMP FOR MEDIAN WIDTH GREATER THAN 64'



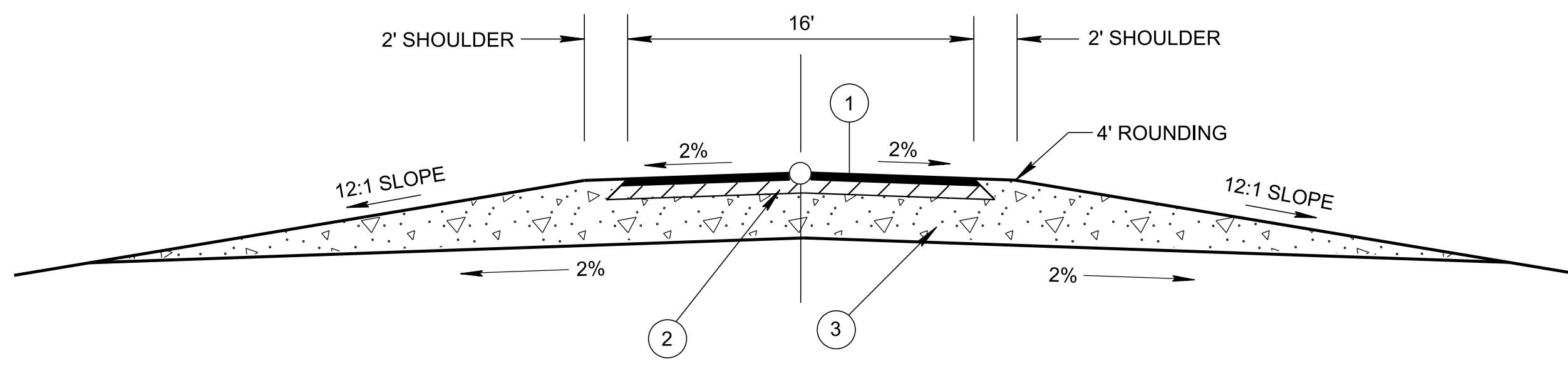
PLAN VIEW OF PROPOSED MAINTENANCE RAMP FOR MEDIAN WIDTH 64' OR LESS



CROSS - SECTION OF PROPOSED MAINTENANCE RAMP
(PIPE TO HAVE 14" MINIMUM COVER AT CENTERLINE)



PROFILE OF PROPOSED MAINTENANCE RAMP
(4% IS DESIRABLE SLOPE, 12% IS MAXIMUM SLOPE)



TYPICAL CROSS - SECTION OF PROPOSED MAINTENANCE RAMP

PROPOSED PAVEMENT SCHEDULE	
①	BITUMINOUS SURFACE 411-01.07 ACS MIX (PG64-22) GRADING E SHOULDER, 1.50" THICK (APPROX. 154.5 LBS./S.Y.) 403-01 BITUMINOUS MATERIAL FOR TACK COAT (TC) - 0.10 GAL./S.Y.
②	BITUMINOUS BLACK BASE 307-01.01 ASPHALT CONCRETE MIX (PG64-22) (BPMB-HM) GRADING A, 3.00" THICK (APPROX. 345 LBS./S.Y.) 402-01 BITUMINOUS MATERIAL FOR PRIME COAT (PC) - 0.35 GAL./S.Y.
③	MINERAL AGGREGATE BASE 303-01 MINERAL AGGREGATE, TYPE "A" BASE, GRADING "D", 10.00" THICK (APPROX. 2.03 TONS/C.Y.)

SIGNING NOTES	
(A)	FOR SPECIFICATIONS SEE "STANDARD SPECIFICATIONS FOR ROAD AND BRIDGE CONSTRUCTION OF THE TENNESSEE DEPARTMENT OF TRANSPORTATION."
(B)	SEE STANDARD DRAWING NO. D-SEW-12D FOR DETAILS REGARDING CONCRETE ENDWALL TYPE "SD" WITH STEEL PIPE GRATE FOR 15" AND 18" PIPES ON 12:1 SLOPE.
(C)	SEE "TENNESSEE SUPPLEMENT TO 1979 STANDARD HIGHWAY SIGNS" FOR DETAILS AND SPECIFICATIONS FOR INTERSTATE CROSSOVER SIGN (TN-29).
(D)	FOR MEDIANS THAT ARE 64' OR NARROWER TWO SIGNS WILL BE REQUIRED FOR EACH MEDIAN CROSSOVER MOUNTED 7'-0" HIGH BACK TO BACK. WHERE NATURAL VEGETATION WOULD OBSCURE THE SIGN IN THE CENTER OF THE MEDIAN IT SHALL BE LOCATED TOWARD THE APPROACH ROADWAY, BUT NOT CLOSER THAN 30' CLEAR DISTANCE FROM THE TRAVELED WAY.
(E)	FOR MEDIANS WIDER THAN 64' ONE SIGN WILL BE REQUIRED FOR EACH SIDE OF THE MEDIAN CROSSOVER MOUNTED 7'-0" HIGH ON SEPARATE SIGN SUPPORTS. THEY WILL BE PLACED NOT CLOSER THAN 30' CLEAR DISTANCE FROM THE TRAVELED WAY.
(F)	PAYMENT FOR INTERSTATE CROSSOVER SIGN (TN-29) WILL BE MADE UNDER ITEM MO.: 713-16.20, SIGNS (INTERSTATE CROSSOVER SIGN TN-29), EACH.

STATE OF TENNESSEE
STANDARD DRAWING
DEPARTMENT OF TRANSPORTATION

STANDARD DETAILS FOR PROPOSED PERMANENT MAINTENANCE RAMP

01-19-1997 RP-PMR-1