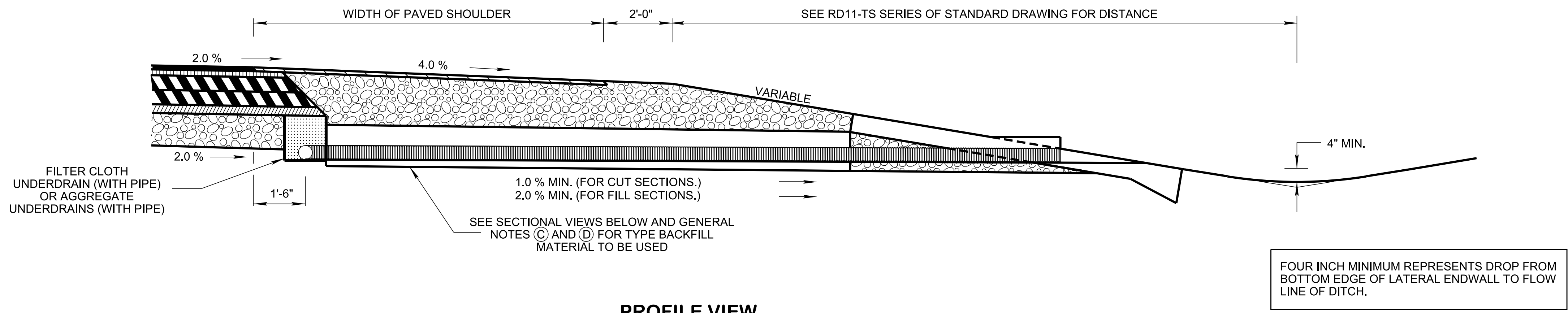
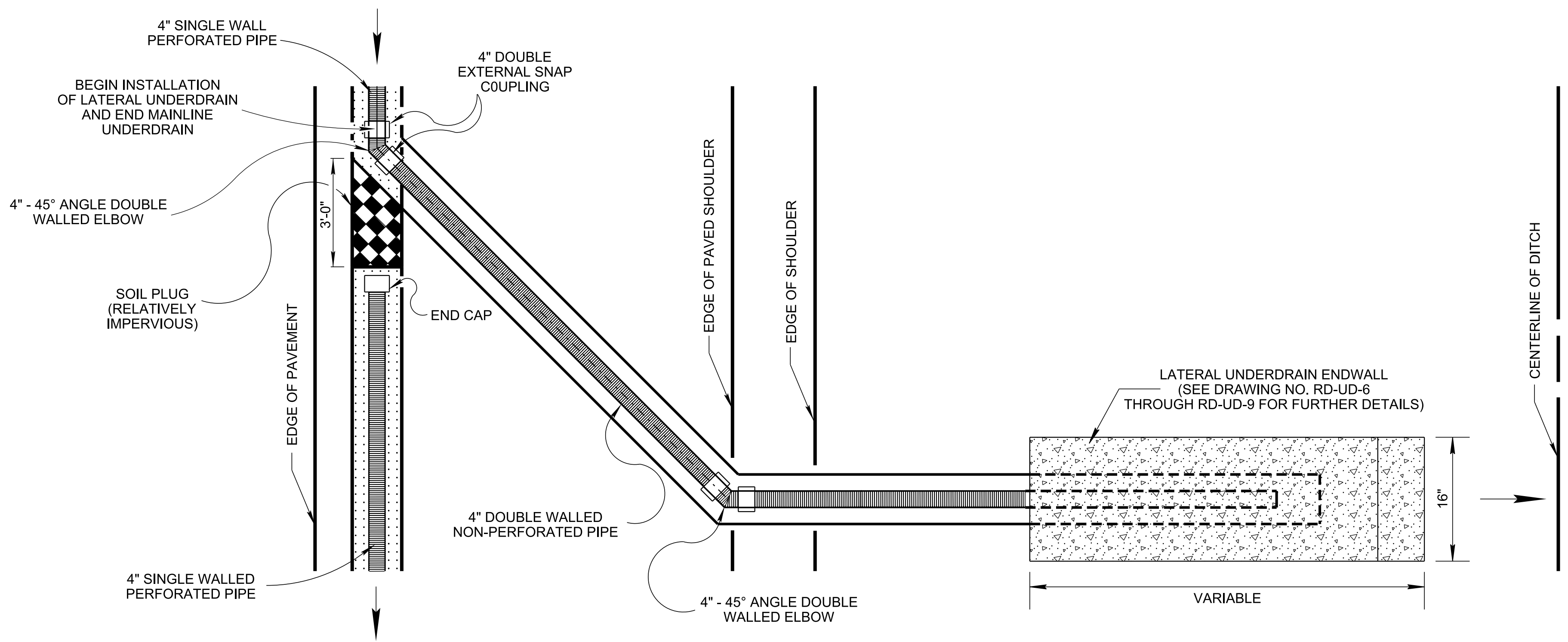


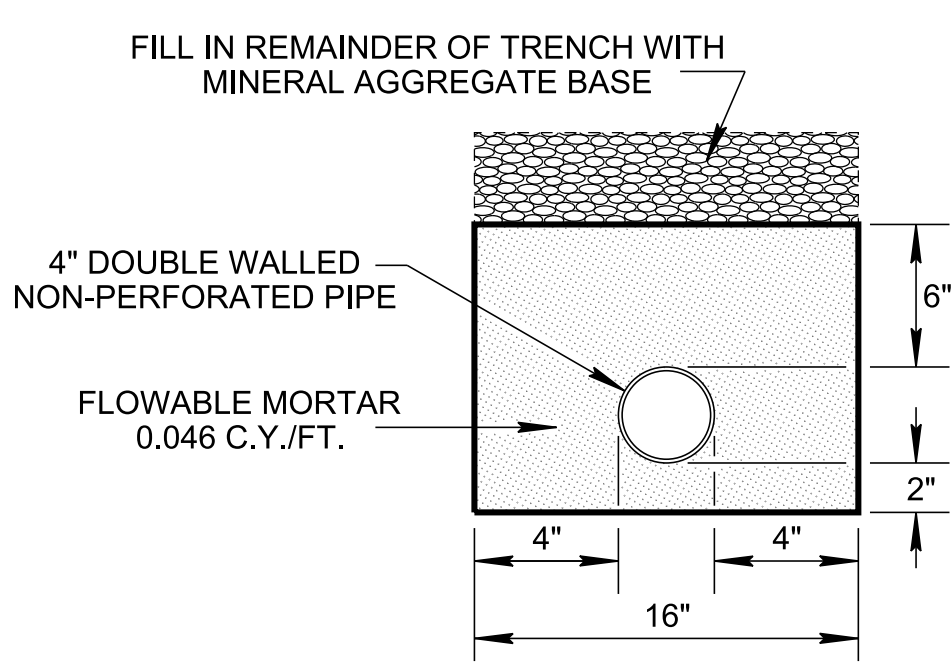
- REV. 7-29-96: REDREW AND REORGANIZED SHEET. MOVED MATERIAL REGARDING MAINLINE UNDER DRAINS TO STANDARD DRAWING NO. RD-UD-3. MOVED MATERIAL REGARDING LATERAL UNDER DRAINS FROM STANDARD DRAWING NO. RD-UD-3.
- REV. 9-5-96: INCREASED THE MINIMUM PERCENT OF GRADE IN THE LATERAL FROM 1% TO 2% FOR FILL SECTIONS.
- REV. 5-27-01: CORRECTED PAY ITEM IN GENERAL NOTE (C).
- REV. 1-25-16: CORRECTED REFERENCE TO RD01-TS IN PROFILE VIEW.
- REV. 06-28-19: REVISED ALL DETAILS TO COMPLY WITH CURRENT TDOT STANDARD SPECIFICATIONS. REDREW SHEET.



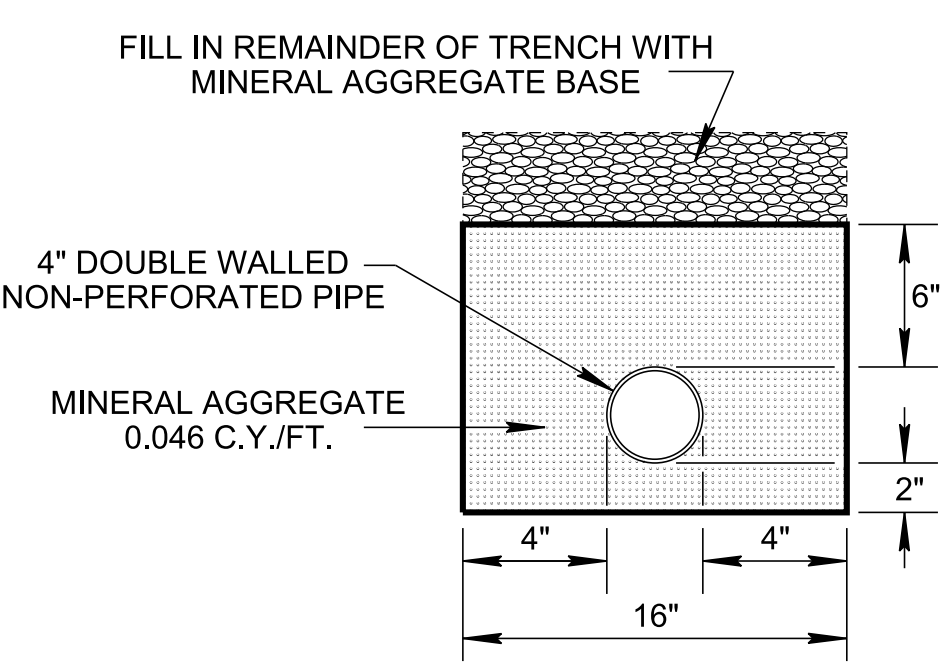
PROFILE VIEW



PLAN VIEW



TYPICAL LATERAL UNDERDRAIN BACKFILL WITH FLOWABLE MORTAR SECTIONAL DETAIL



TYPICAL LATERAL UNDERDRAIN BACKFILL WITH MINERAL AGGREGATE SECTIONAL DETAIL

GENERAL NOTES

(A) AGGREGATE OR FILTER CLOTH UNDERDRAINS AND UNDERDRAIN LATERAL OUTLETS SHALL BE CONSTRUCTED IN ACCORDANCE WITH STANDARD SPECIFICATIONS, SECTION 710 AND/OR SPECIAL PROVISIONS.

(B) FOUR INCH DOUBLE WALLED (CORRUGATED EXTERIOR AND SMOOTH INTERIOR WALL) NON-PERFORATED PIPE SHALL CONFORM TO REQUIREMENTS OF AASHTO M252, TYPE "S". IT SHALL BE PAID FOR UNDER THE PRICE BID FOR

ITEM NO. 710-05, LATERAL UNDERDRAIN PER L.F.

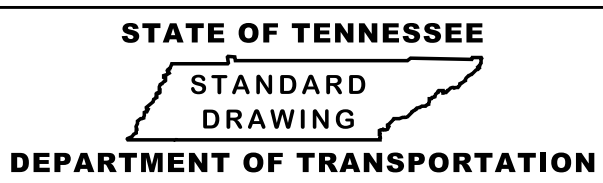
(C) BACKFILL MATERIAL USED WITH UNDERDRAIN LATERALS ON INTERSTATE AND FREEWAY SYSTEMS SHALL BE FLOWABLE MORTAR. FLOWABLE MORTAR BACKFILL SHALL MEET THE REQUIREMENTS OF SUBSECTION 204.06 OF THE STANDARD SPECIFICATIONS. IT SHALL BE PAID FOR UNDER THE PRICE BID FOR

ITEM NO. 204-08.01, BACKFILL MATERIAL (FLOWABLE FILL) PER C.Y.

(D) BACKFILL MATERIAL USED WITH UNDERDRAIN LATERALS ON ALL OTHER HIGHWAY SYSTEMS SHALL BE MINERAL AGGREGATE. MINERAL AGGREGATE BACKFILL SHALL MEET REQUIREMENTS OF SUBSECTION 903.05 OF THE STANDARD SPECIFICATIONS FOR CLASS "A" OR CLASS "B" GRADING "D". IT SHALL BE PAID FOR UNDER THE PRICE BID FOR

ITEM NO. 710-05, LATERAL UNDERDRAIN PER L.F.

MINOR REVISION -- FHWA APPROVAL NOT REQUIRED



UNDERDRAIN LATERAL DETAILS

11/1/2019 9:18:12 AM C:\Users\jj00547\Desktop\RDUD4-20190628.dgn

NOT TO SCALE