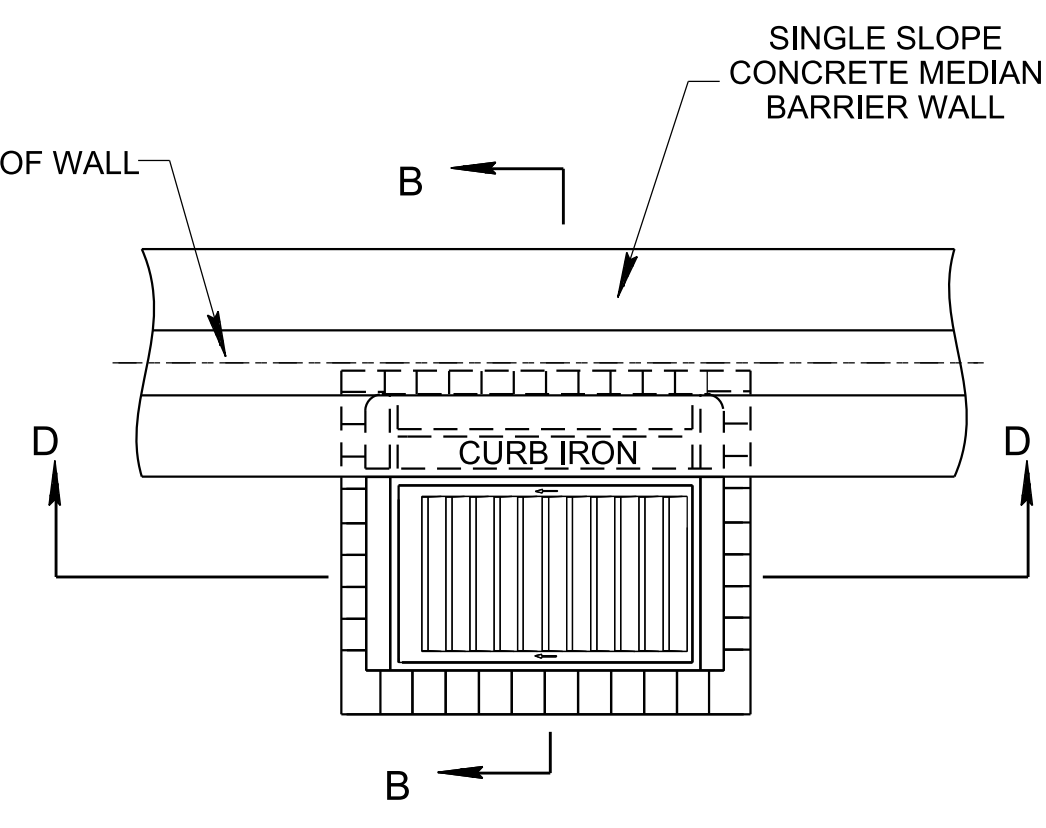


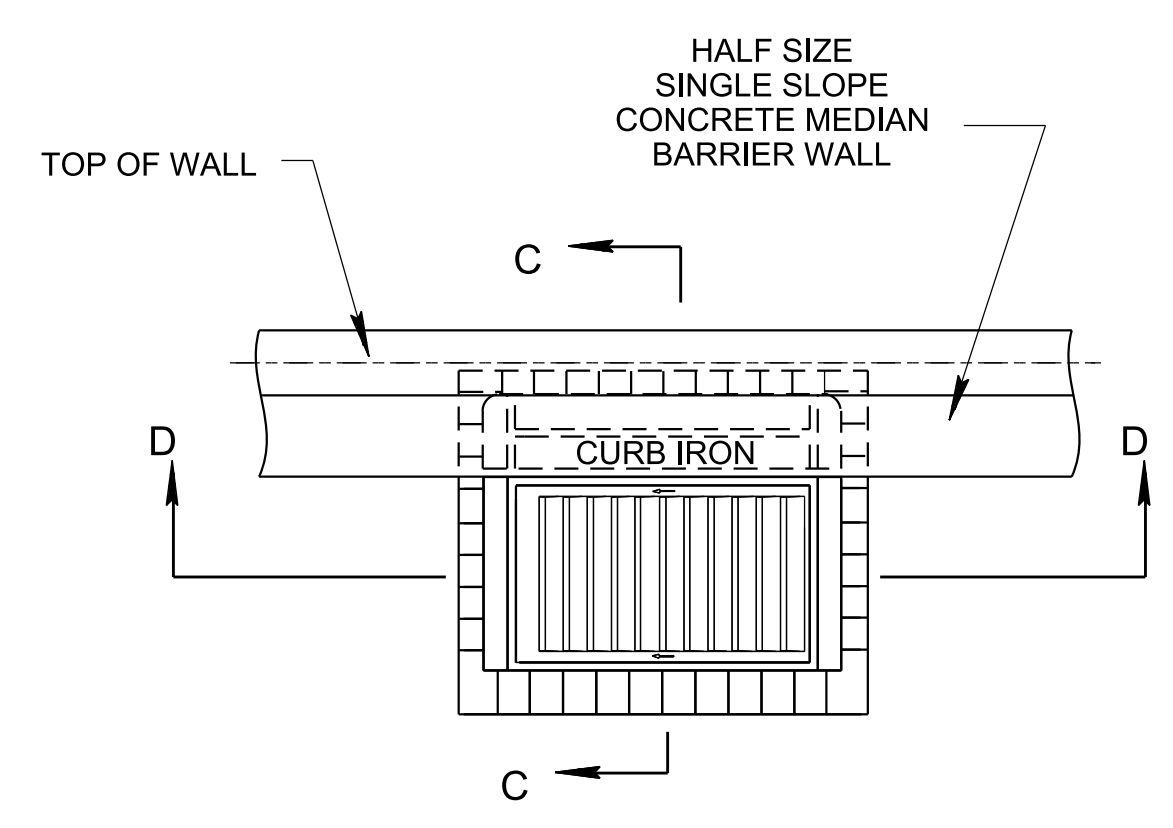
**PLAN VIEW**

NO. 31, NO. 32, AND NO. 46 CATCH BASINS



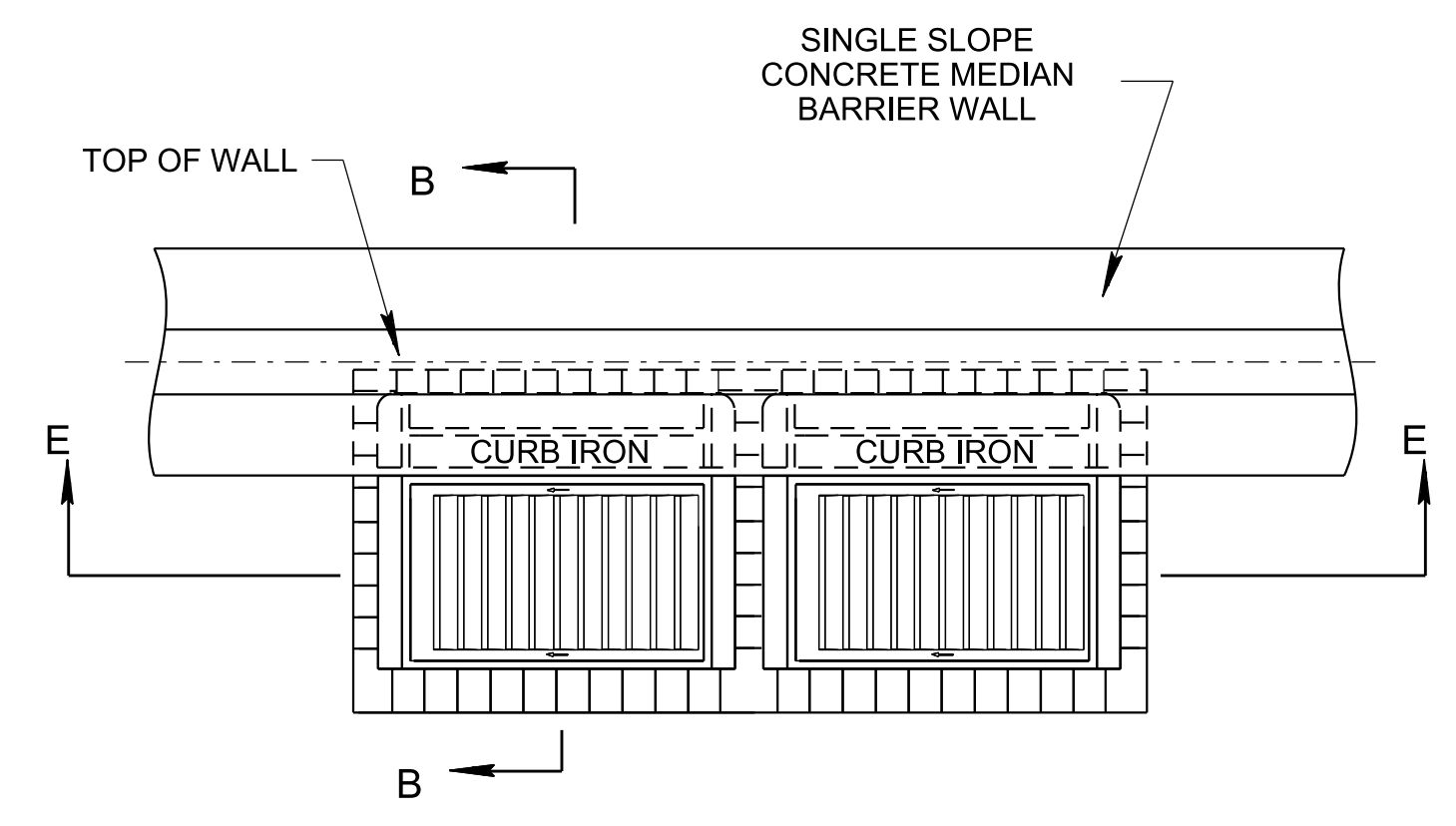
**PLAN VIEW**

NO. 41 CATCH BASINS



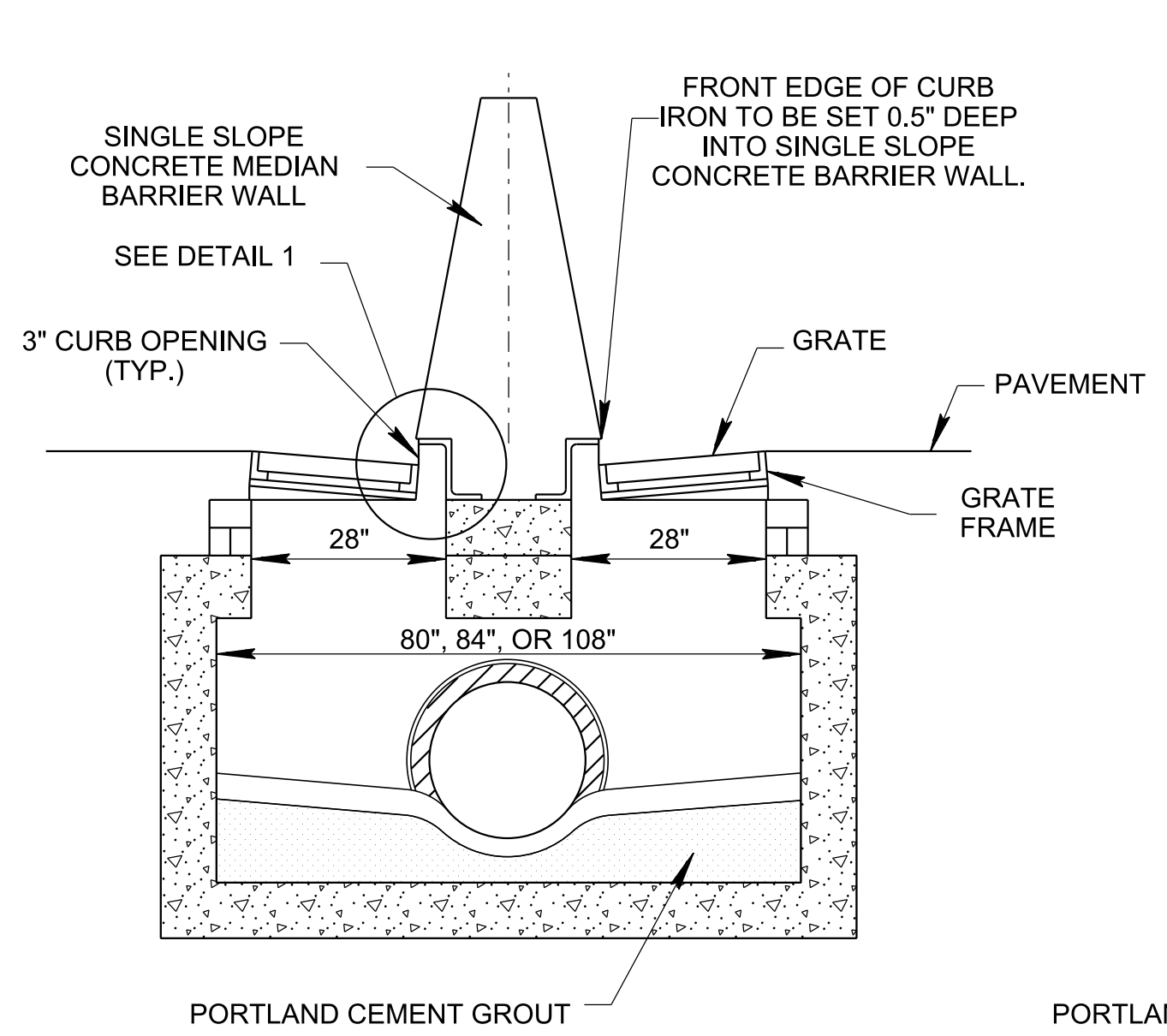
**PLAN VIEW**

NO. 51 AND NO. 52 CATCH BASINS



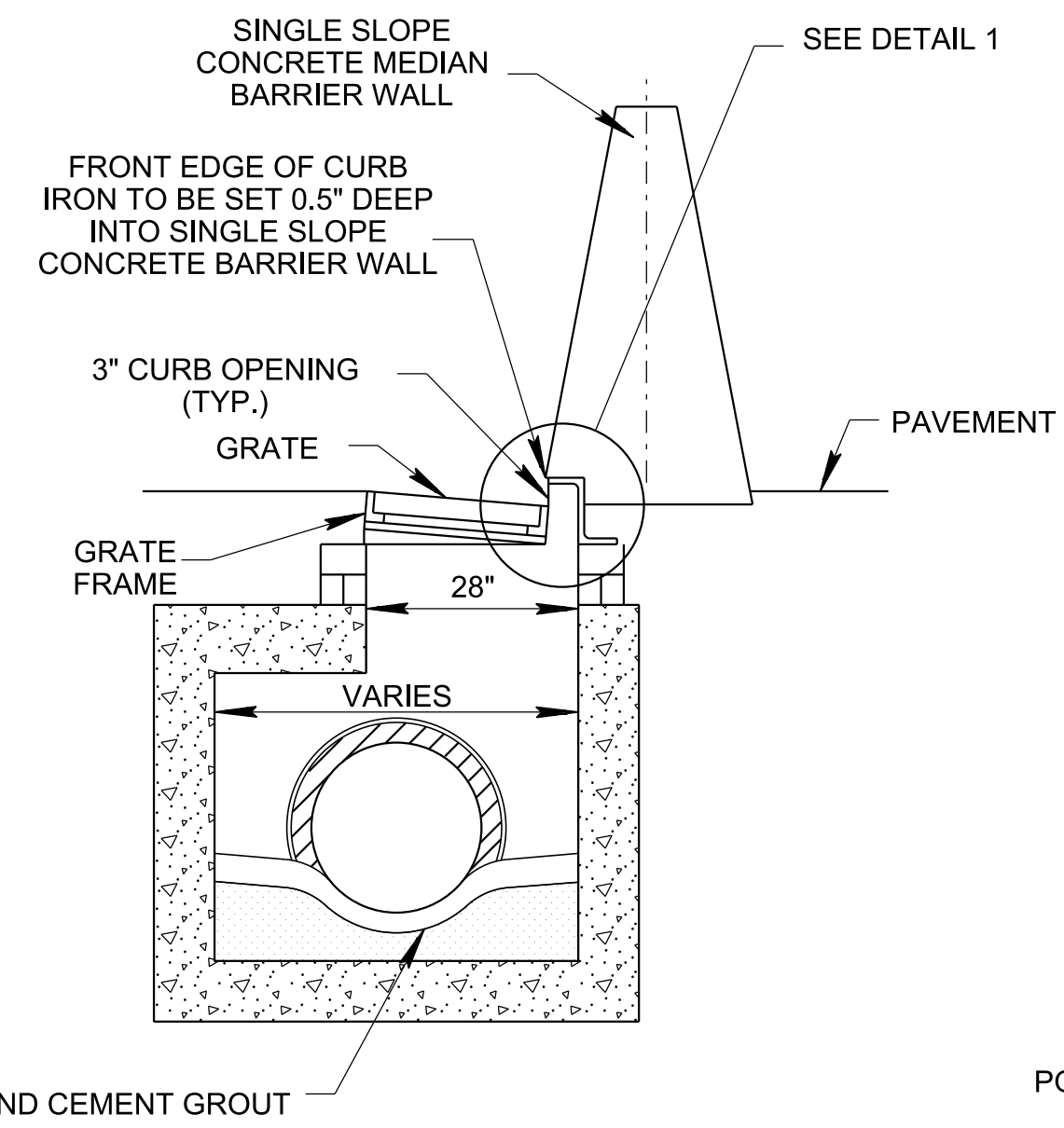
**PLAN VIEW**

NO. 45S CATCH BASINS



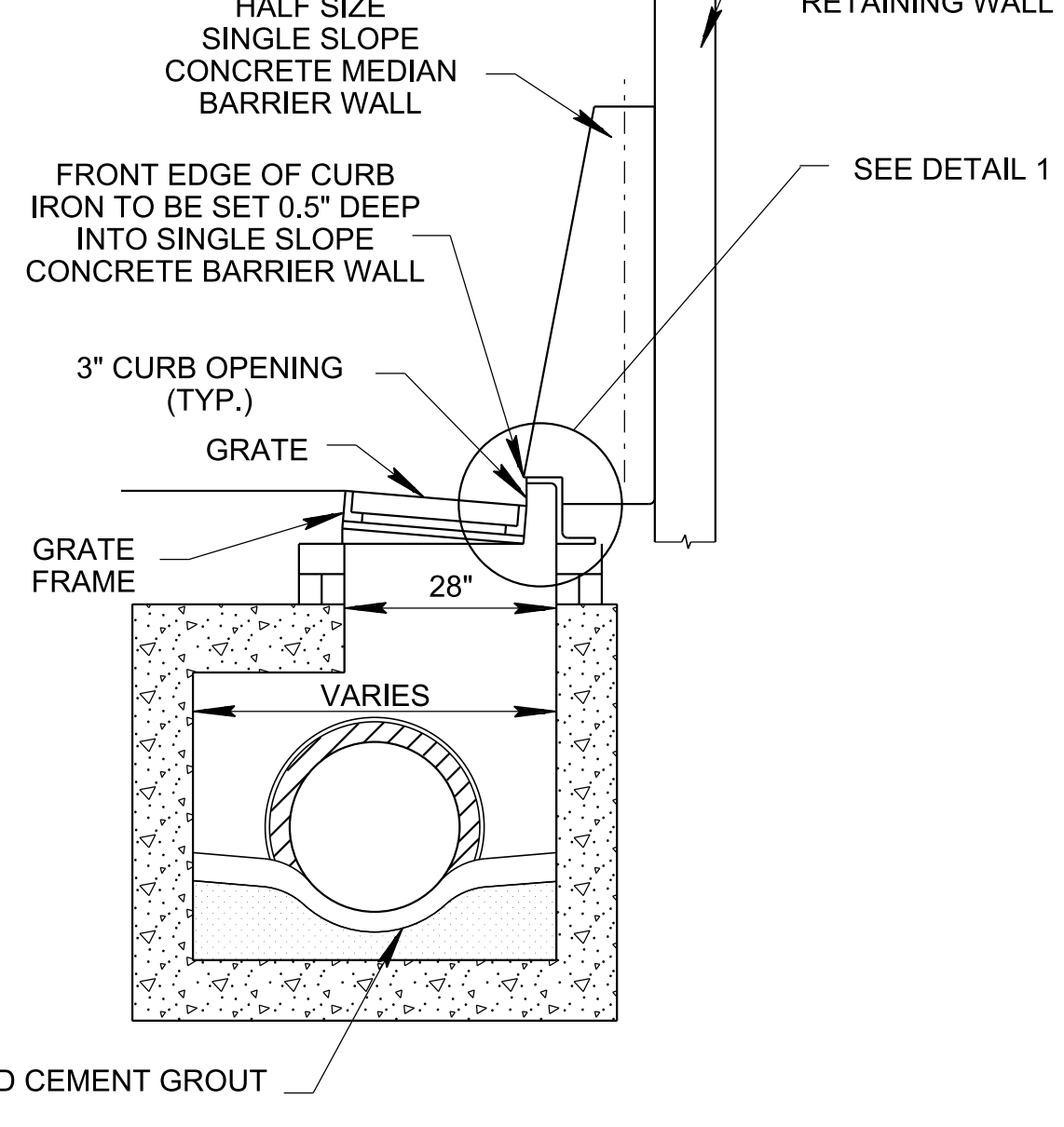
**SECTION A-A**

NO. 31, NO. 32 AND NO. 46 CATCH BASINS



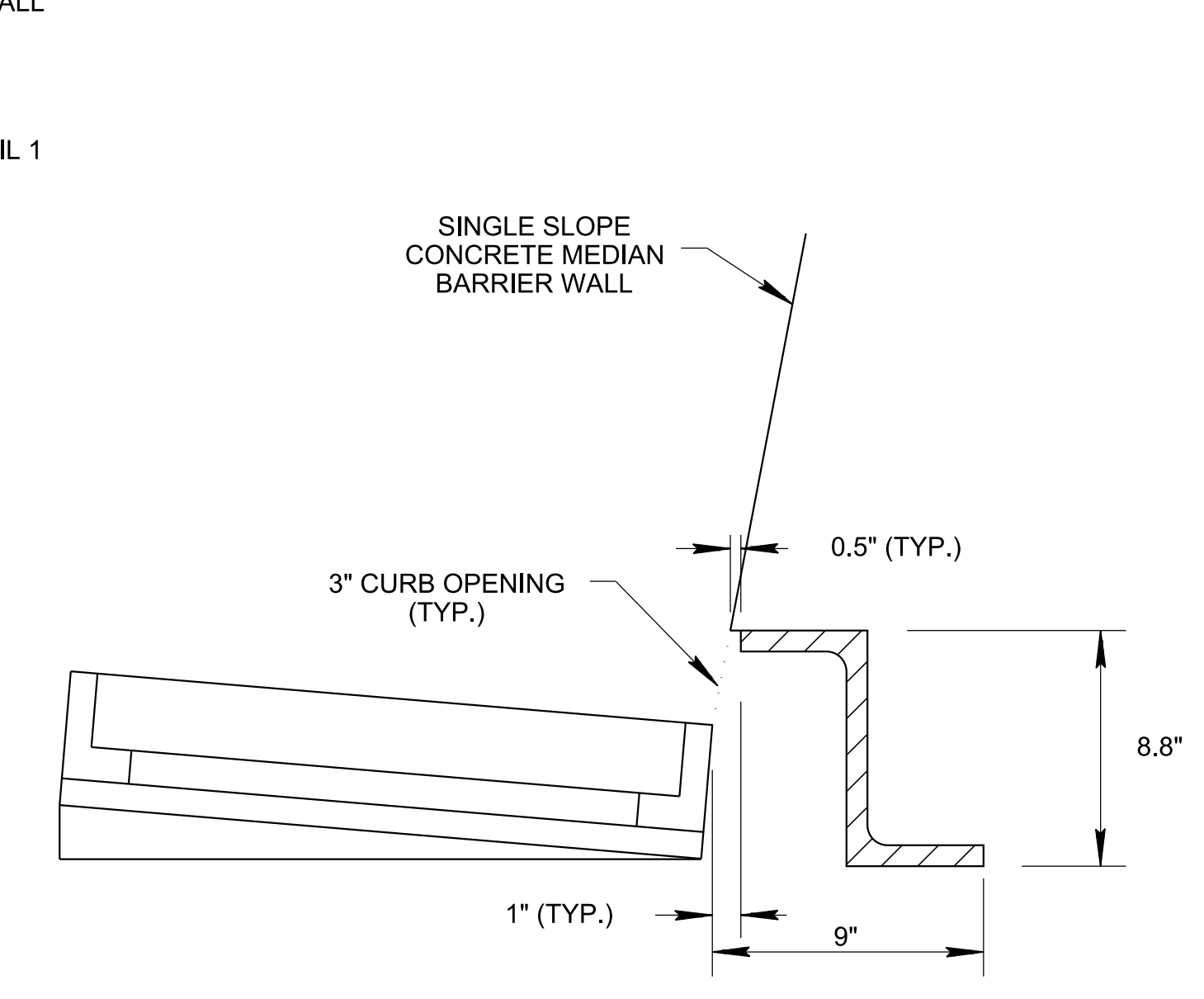
**SECTION B-B**

NO. 41 AND 45S CATCH BASINS

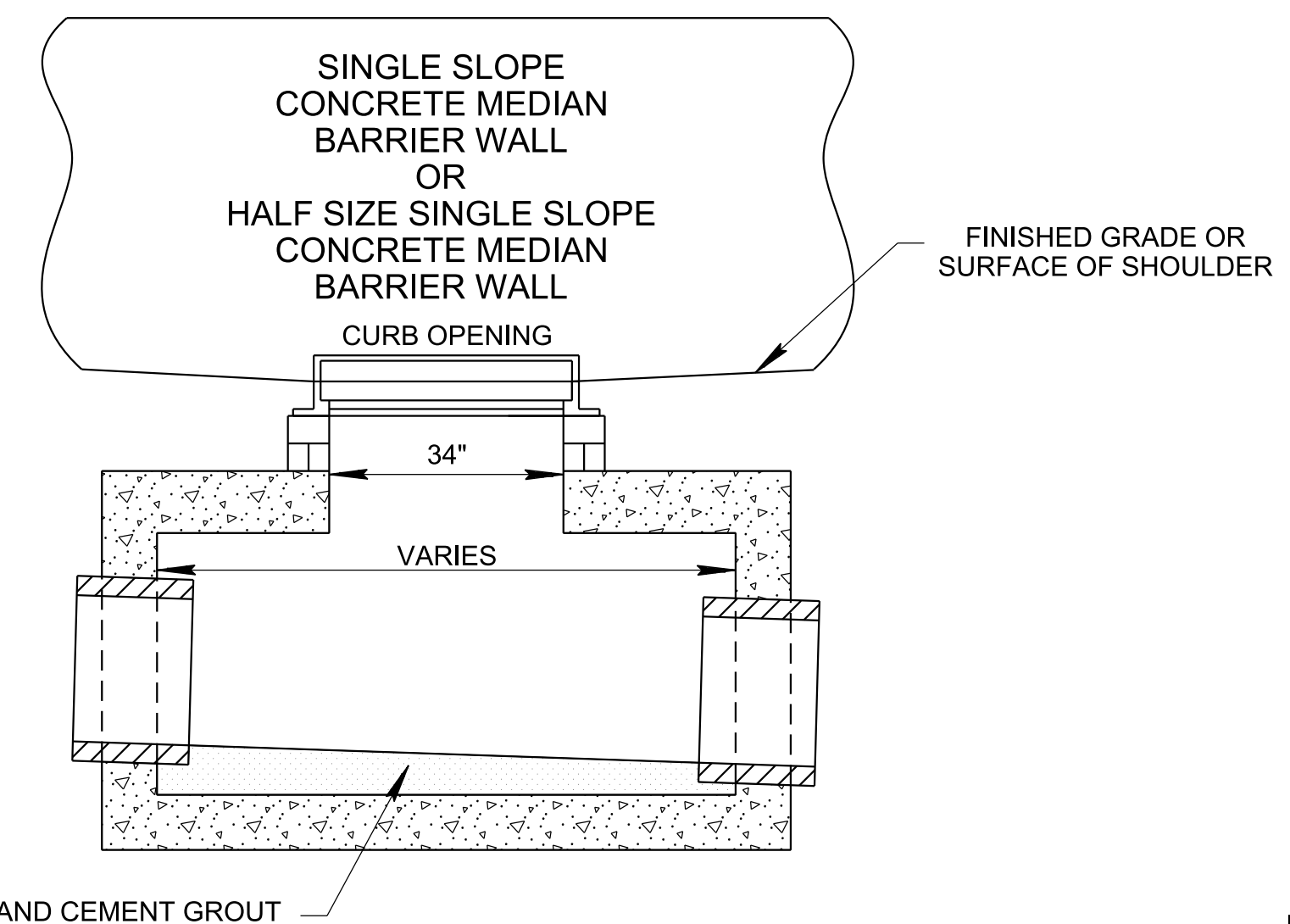


**SECTION C-C**

NO. 51 AND 52 CATCH BASINS

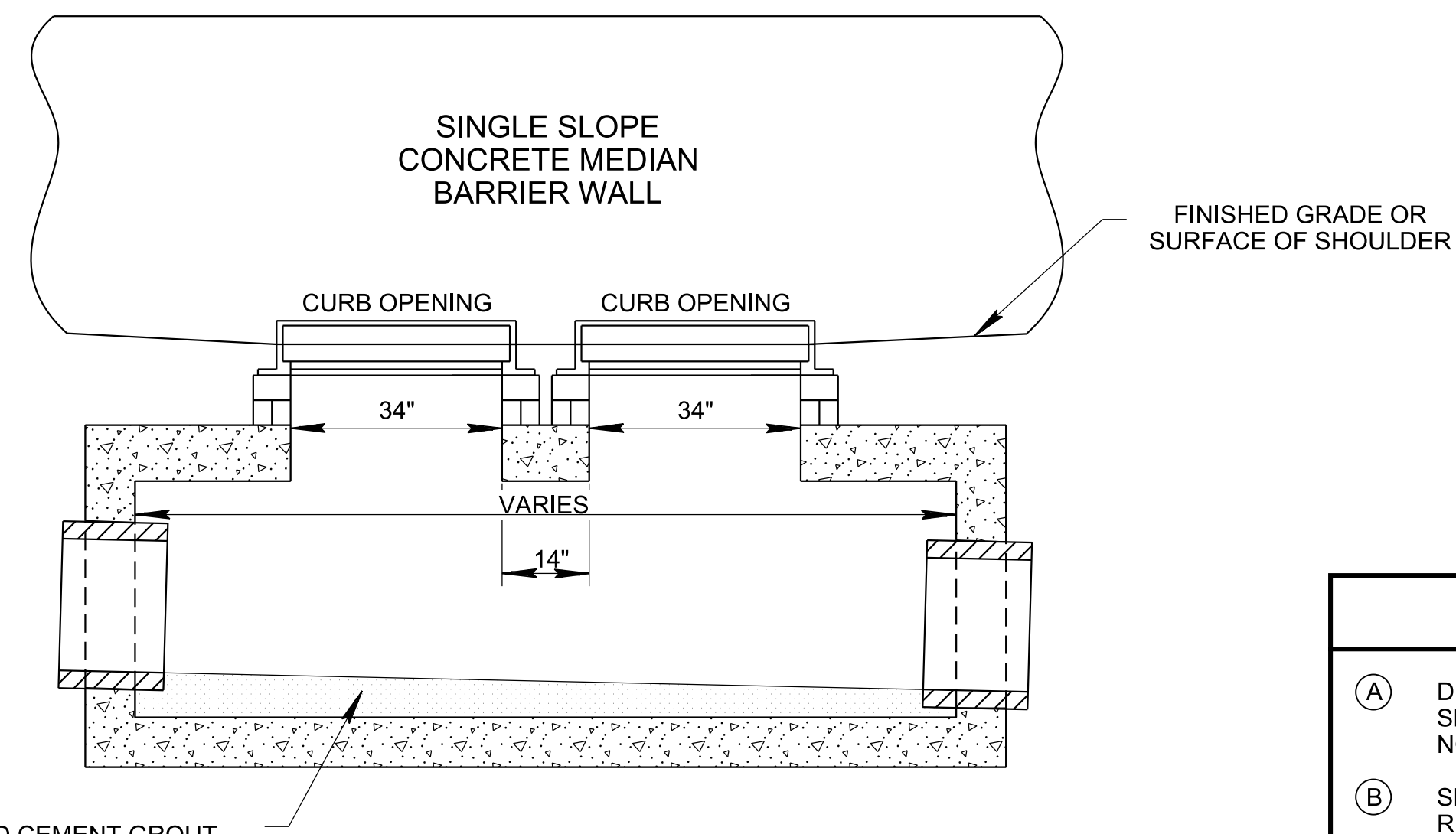


**DETAIL 1**



**SECTION D-D**

NO. 31, NO. 32, NO. 41, NO. 46,  
NO. 51, AND NO. 52 CATCH BASINS



**SECTION E-E**

NO. 45S CATCH BASINS

**GENERAL NOTES**

- (A) DRAWING TO BE USED FOR SINGLE SLOPE CONCRETE MEDIAN BARRIER WALL WHEN SPECIFYING A NO. 31, 32, 41, 45S, 46, 51, OR 52 CONCRETE CATCH BASINS AND ALL PRECAST NO. 32 CONCRETE CATCH BASINS.
- (B) SEE STANDARD DRAWING S-SSMB-2 FOR ADDITIONAL DETAILS AND GENERAL NOTES REGARDING SINGLE SLOPE CONCRETE BARRIER WALL.
- (C) SEE CATCH BASIN STANDARD DRAWINGS FOR ADDITIONAL DETAILS AND GENERAL NOTES REGARDING CATCH BASINS.

STATE OF TENNESSEE  
STANDARD DRAWING  
DEPARTMENT OF TRANSPORTATION

SINGLE SLOPE  
MEDIAN  
BARRIER WALL  
CATCH BASIN  
DETAIL

4/20/2020 3:08:33 PM P:\StandDraw\DESIGN STANDARDS\Standards Drawings\Standard Roadway Drawings - CURRENT\In Progress\10-106.00 Safety Design and Guardrails IP\SSSMB5-20