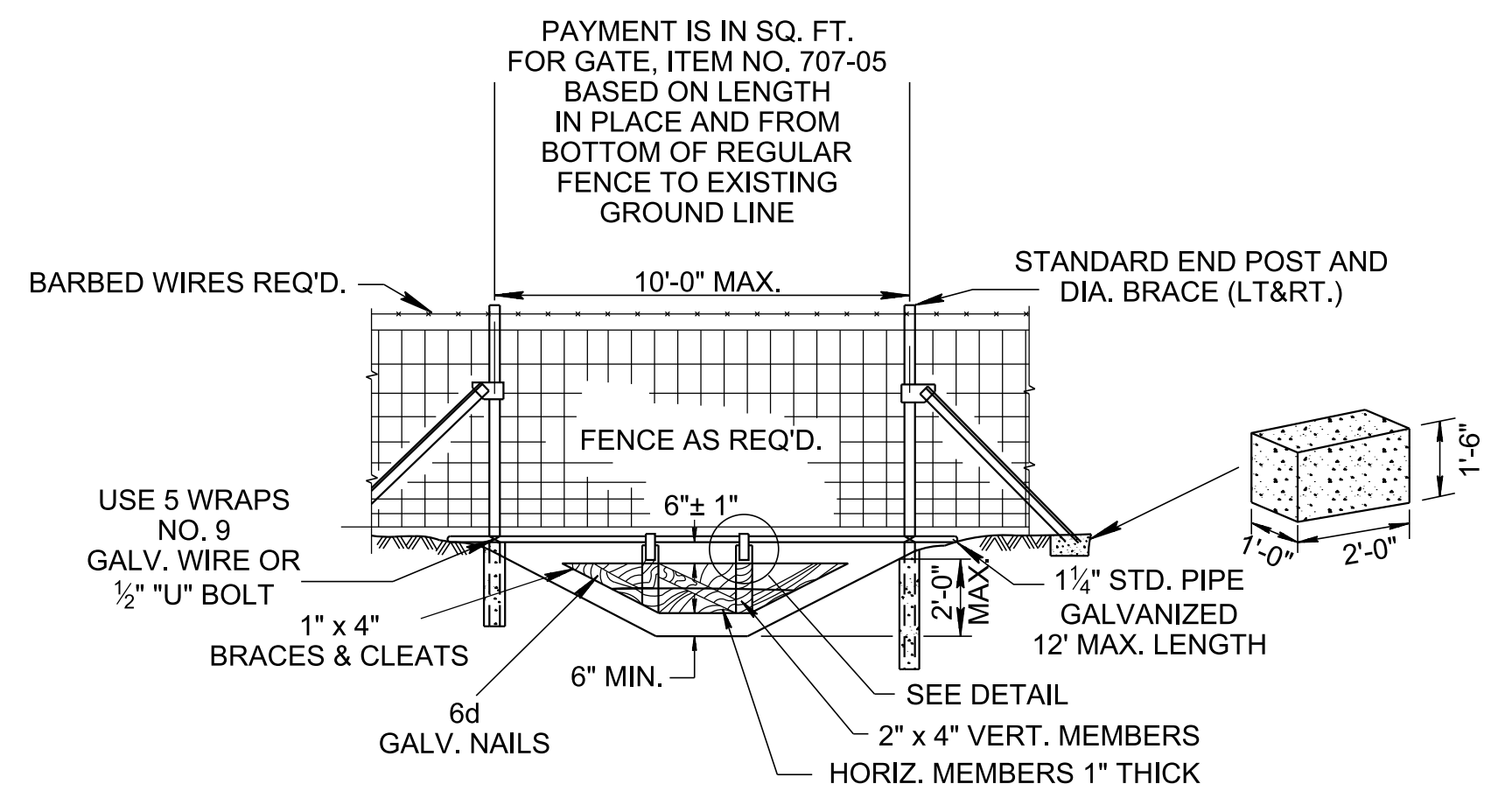
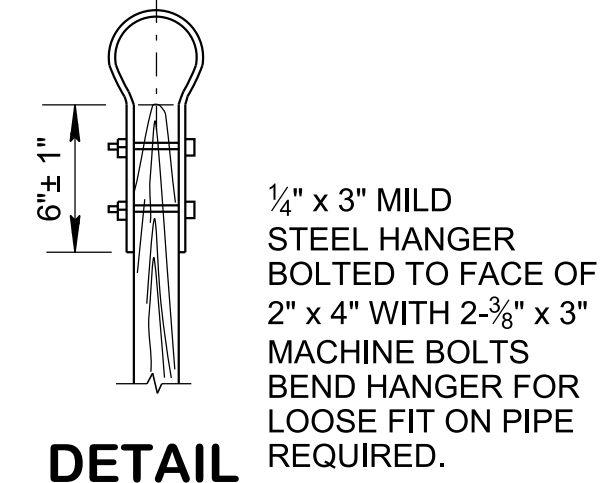


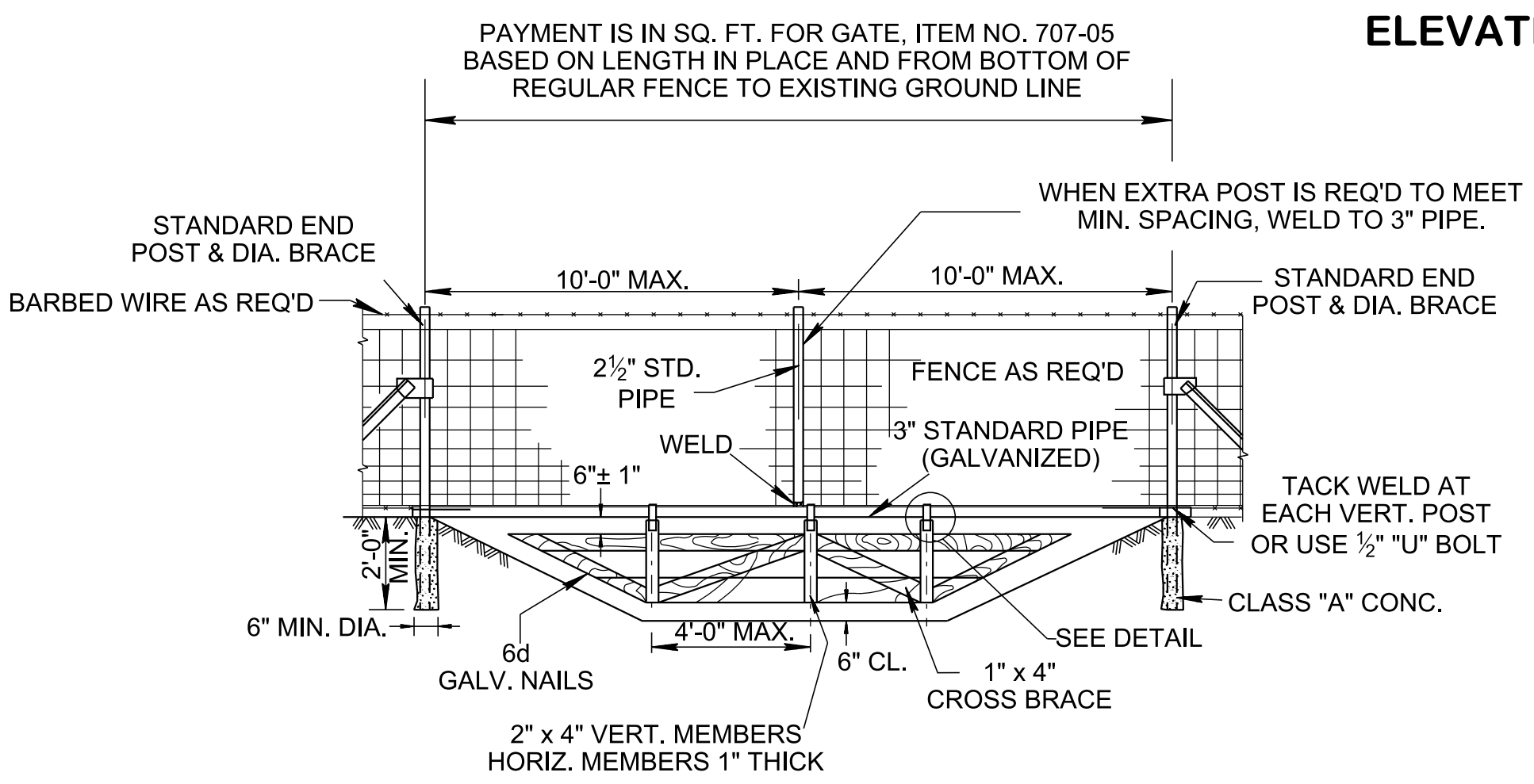
REV. 7-1-72: CHANGED DEPARTMENT NAME.
 REV. 1-1-76: CHANGED DRAWING NUMBER FROM RD-F-20(68), (SHEET 2) TO S-F-20.
 REV. 5-2-90: ADDED PAY ITEMS.
 REV. 1-24-08: REDREW SHEET AND CHANGED LENGTH OF ALL FENCE POSTS.
 REV. 11-15-17: CHANGED FONT. CORRECTED R.O.W. FENCE LINE TYPE. CORRECTED MISSPELLINGS.
 REV. 06-28-2019: REDREW SHEET.



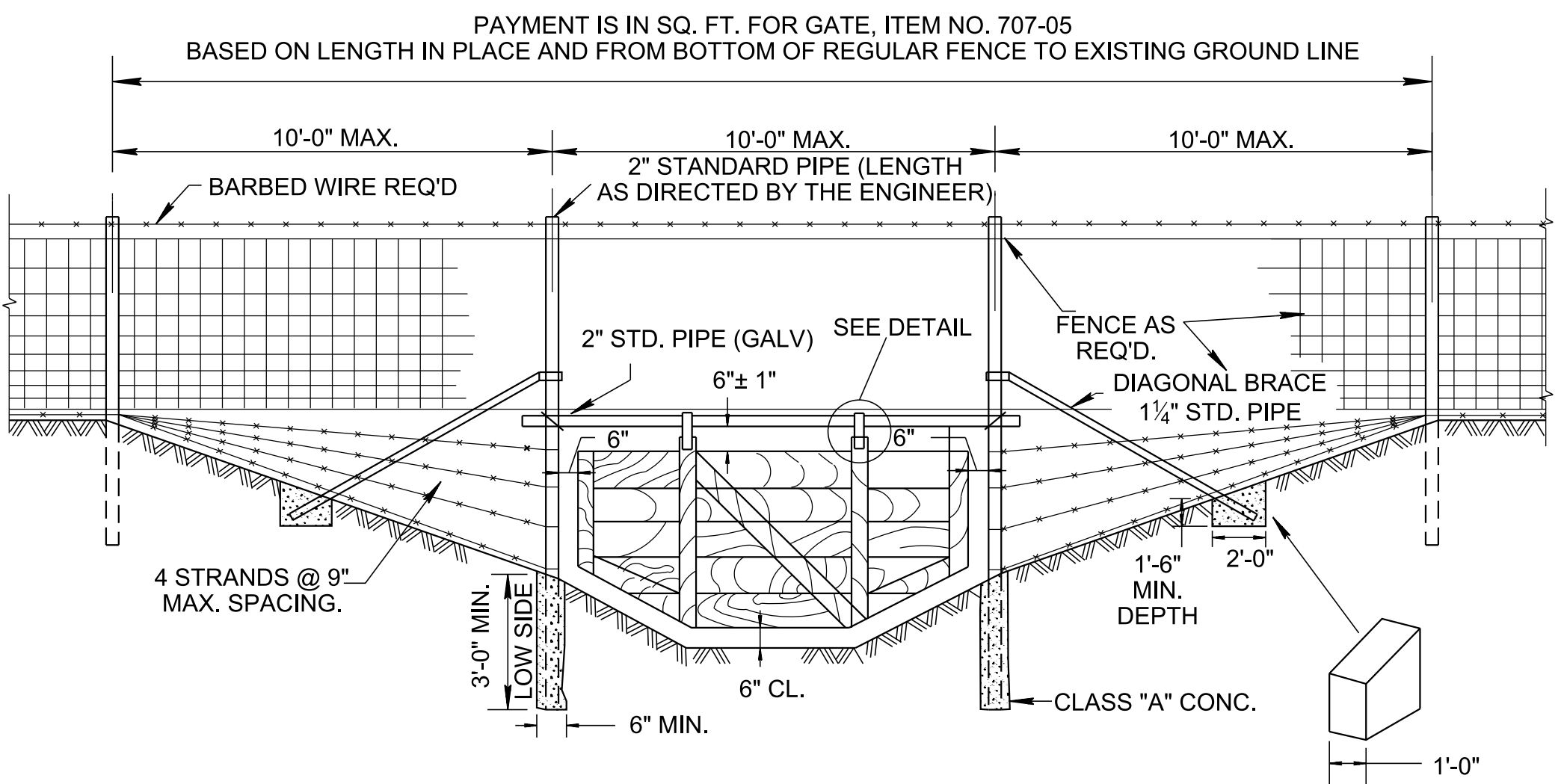
TYPICAL GATE FOR DITCH WIDTH 10' OR LESS TYPE A



DETAIL ELEVATION VIEW

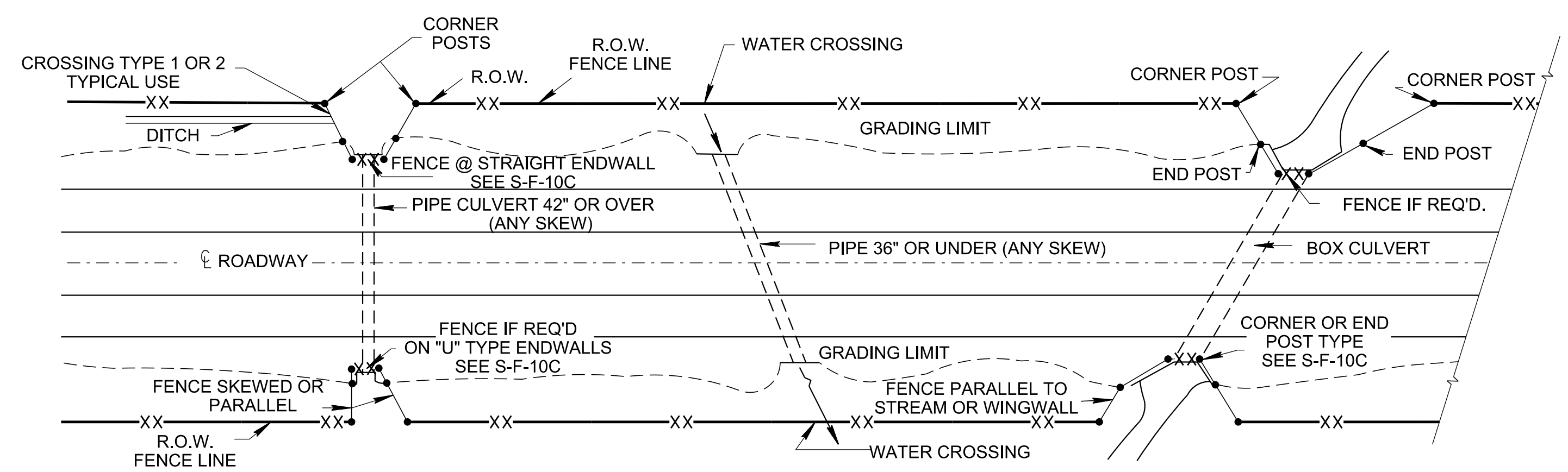


TYPICAL GATE FOR DITCH WIDTH 10'-20' TYPE B

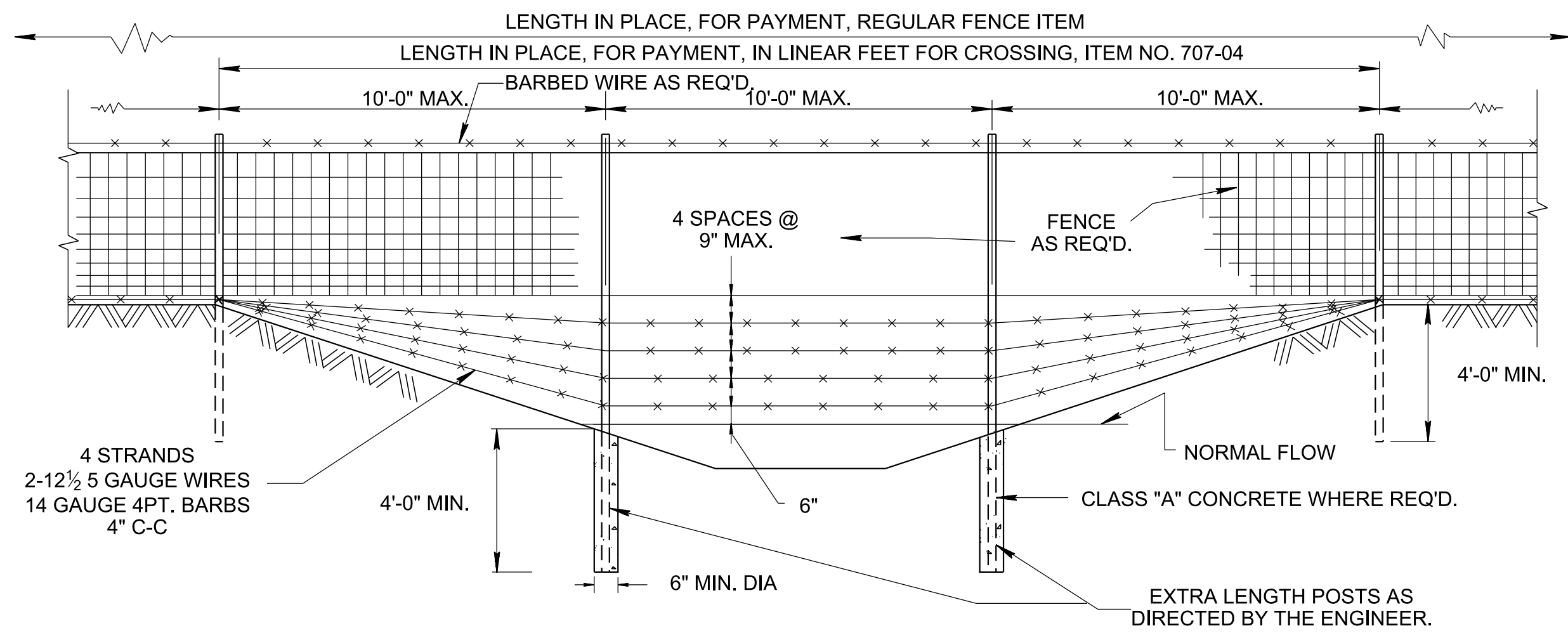


TYPICAL GATE FOR DITCH WIDTH 20'-30' TYPE C

DETAILS NOT SHOWN ABOVE ARE SAME AS FOR TYPE "B" GATE



TYPICAL LOCATION PLAN



WATER CROSSING

GENERAL NOTES

(A) GATE FOR DITCH SHALL BE ERECTED AT LOCATIONS INDICATED IN THE PLANS OR AS INDICATED BY THE ENGINEER.

(B) COMPENSATION FOR WATER GATES AND WATER CROSSINGS IS INTENDED ONLY FOR ADDITIONAL MATERIAL, INCLUDING ADDITIONAL PIPE, EXTRA LENGTHS OF POSTS, WIRE, LUMBER, HARDWARE AND CONCRETE AND WORK REQUIRED FOR THE FACILITIES WHICH ARE NOT PROVIDED FOR IN THE REGULAR RIGHT-OF-WAY FENCE ITEM.

(C) PAYMENT WILL BE MADE UNDER ITEM NOS.:

707-04	WATER CROSSING,	L.F.
707-05	WATER GATE,	S.F.

(D) THESE INSTALLATION SCHEMES ARE TYPICAL AND NOT TO BE CONSTRUED AS REPRESENTATIVE OF ALL CONDITIONS WHICH WILL BE ENCOUNTERED. CONSTRUCTION MAY BE VARIED AS REQUIRED TO MEET FIELD CONDITIONS AND/OR AS DIRECTED BY THE ENGINEER.

MINOR REVISION -- FHWA APPROVAL NOT REQUIRED

STATE OF TENNESSEE
 STANDARD DRAWING
 DEPARTMENT OF TRANSPORTATION

EXAMPLES OF
 WATER GATES
 AND
 WATER
 CROSSINGS

12/3/2019 11:14:36 AM C:\Users\jj00547\Desktop\104.05 Fence & Right of Way Markers\IP\SFG20-20190628.dgn