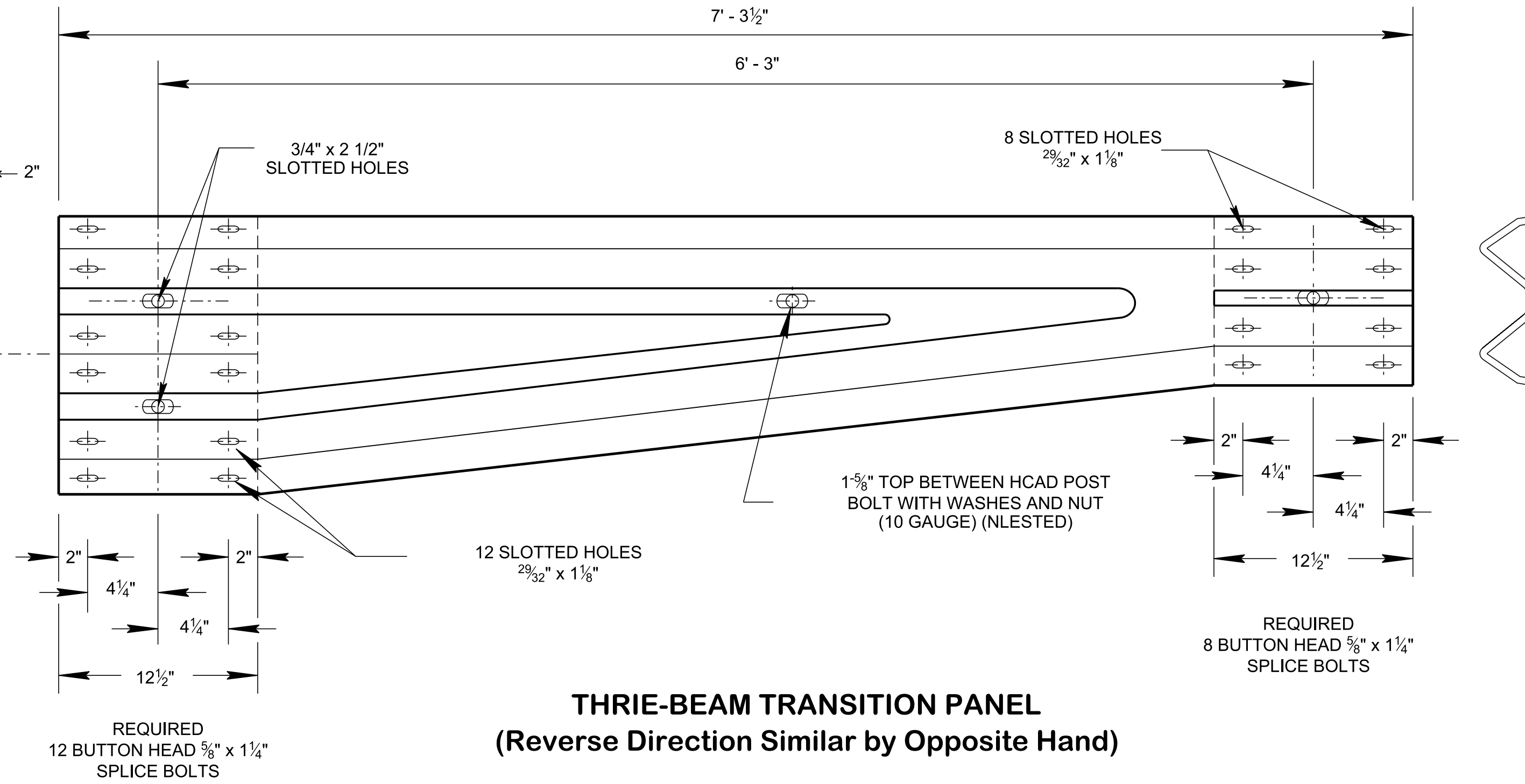
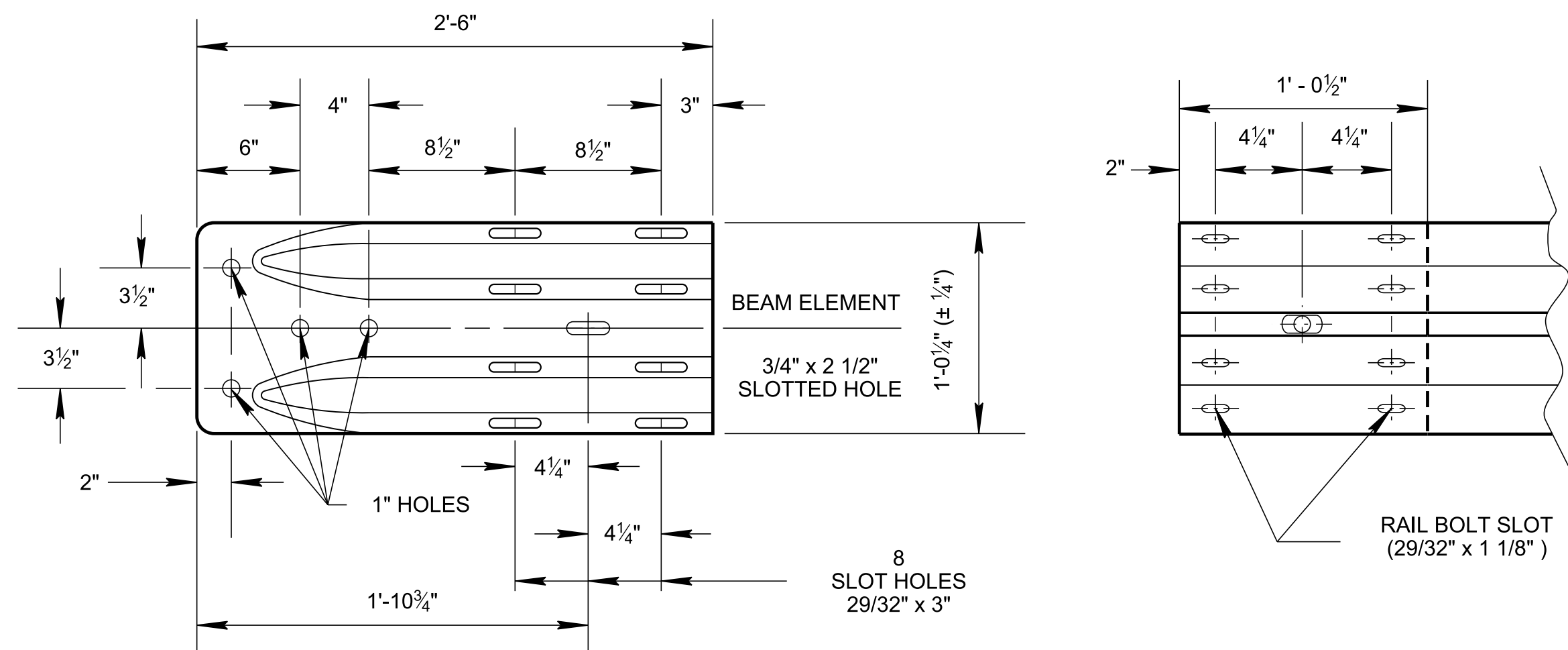
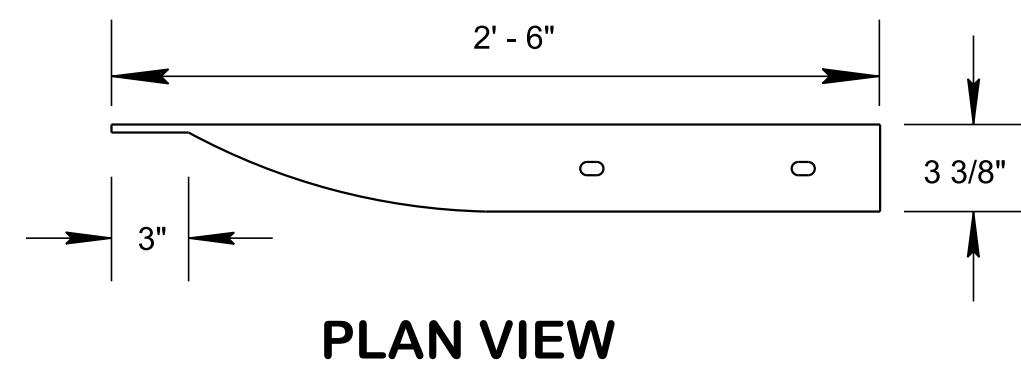


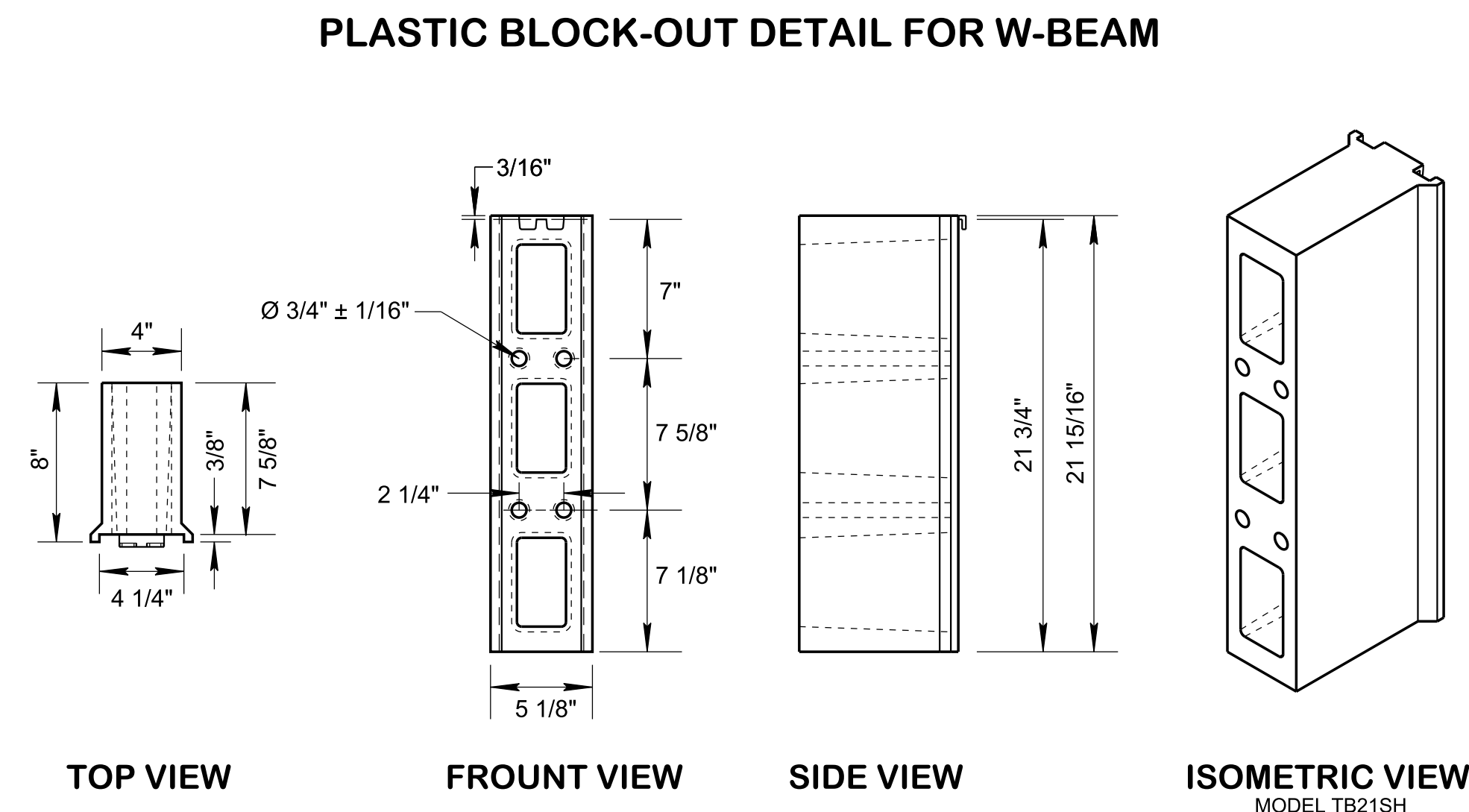
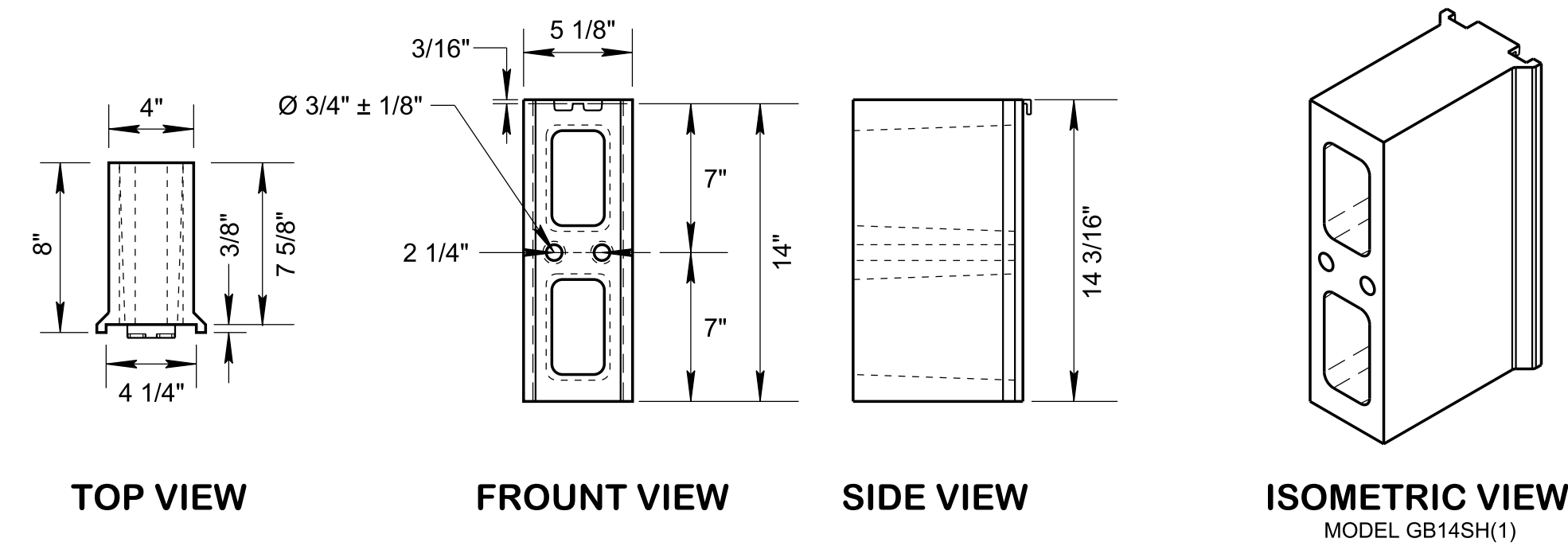
THRIE BEAM TERMINAL CONNECTION
(MODIFIED MICHIGAN END SHOE)
CONNECTION TO W-BEAM SAME AS SPLICE SECTION ON STD. DWG. S-GR31-1B REQUIRING 12 BUTTON HEAD 5/8" x 1 1/4" SPLICE BOLTS



THRIE-BEAM TRANSITION PANEL
(Reverse Direction Similar by Opposite Hand)



W-BEAM TERMINAL CONNECTION
(MICHIGAN END SHOE)
CONNECTION TO W-BEAM SAME AS SPLICE SECTION ON STD. DWG. S-GR31-1B REQUIRING 8 BUTTON HEAD 5/8" x 1 1/4" SPLICE BOLTS



SHOWING MONDO POLYMER TECHNOLOGIES BLOCK-OUTS FOR REFERENCE ONLY. SEE QPL FOR MANUFACTURES LIST.

8/7/2019 9:45:38 AM P:\StandDraw\DESIGN STANDARDS\Standards Drawings\Standard Roadway Drawings - CURRENT\In Progress\150.00 Safety Design and Fences IP\150.04 Guardrail Details IP\SGR311A-20190628.dgn