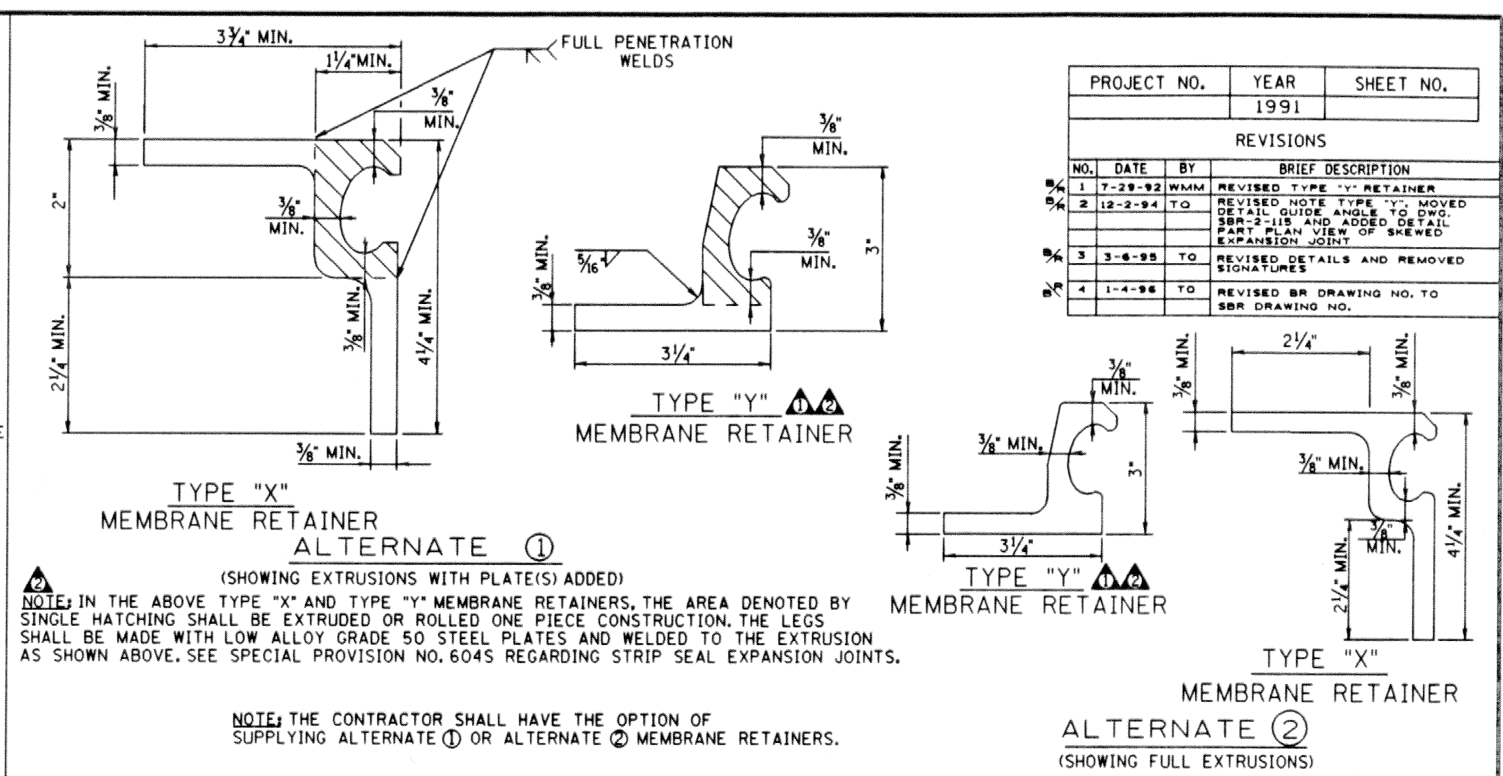


EXPANSION JOINT LEVELING ASSEMBLY DETAILS

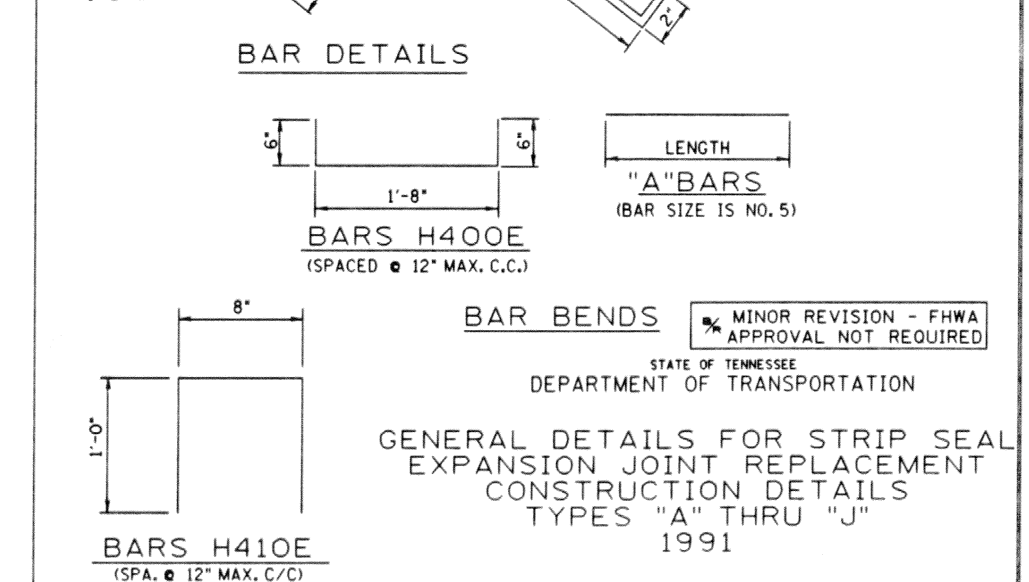
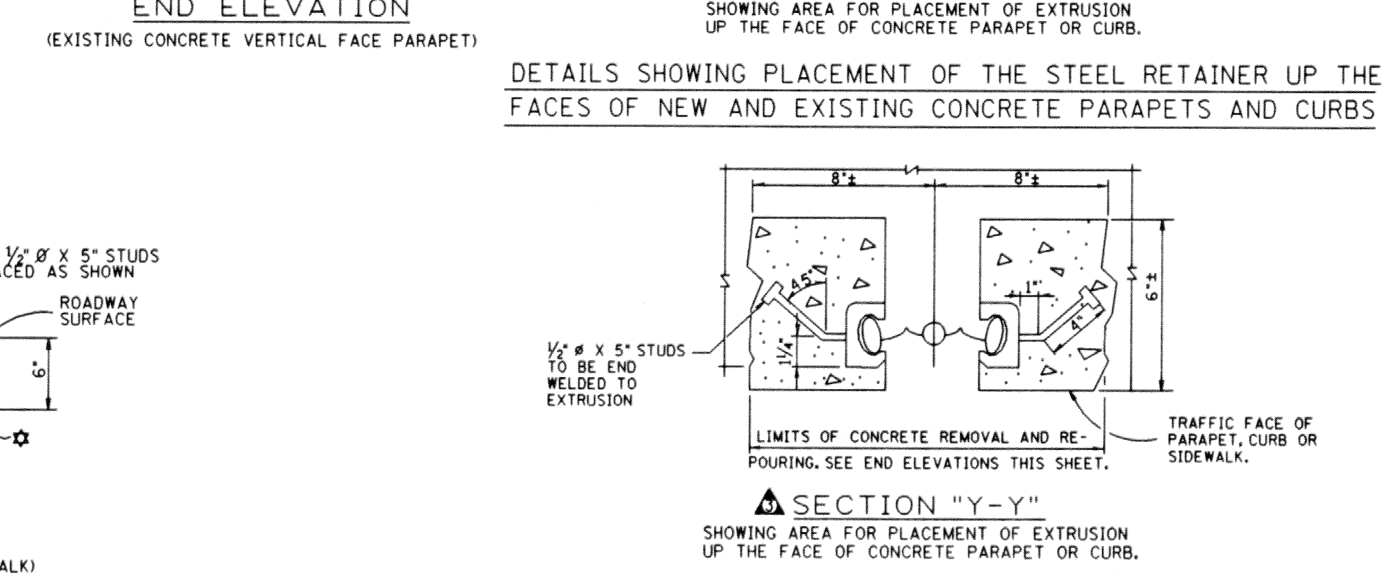
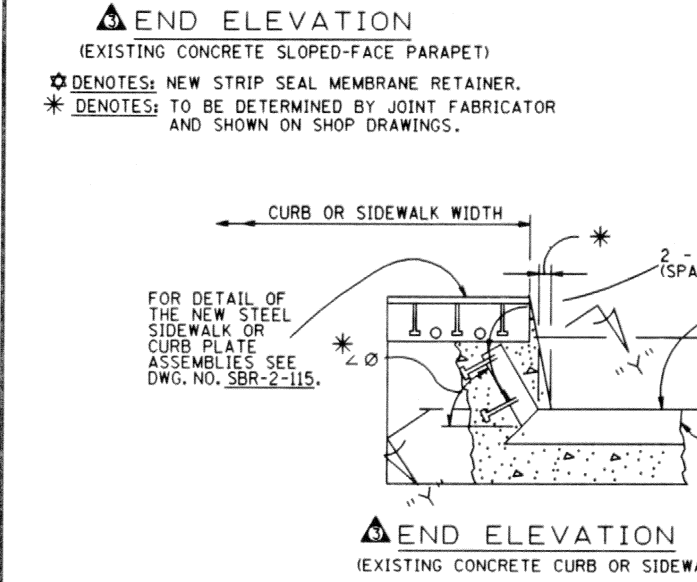
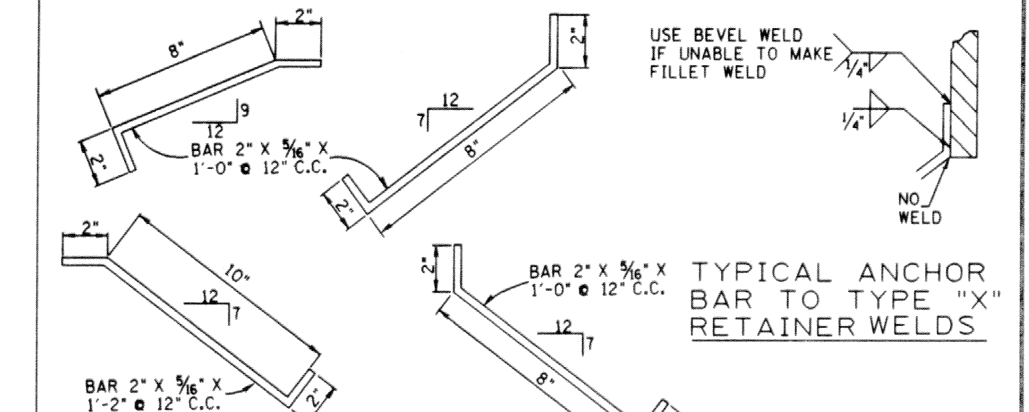
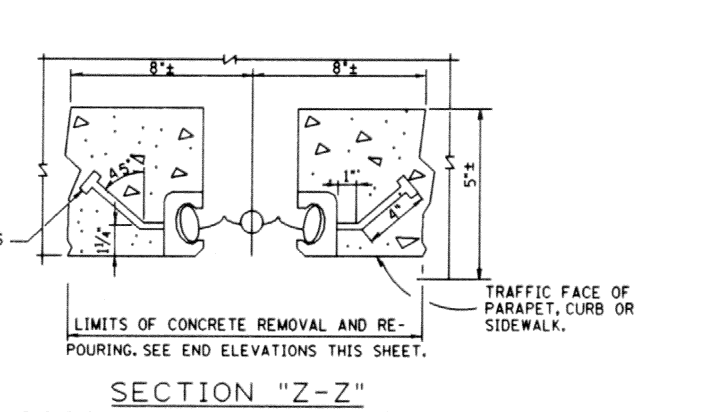
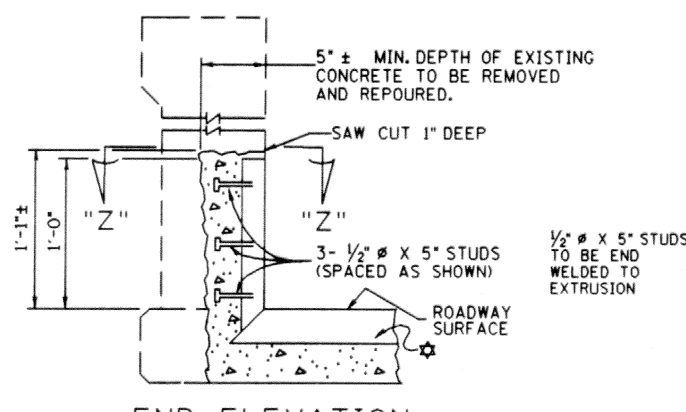
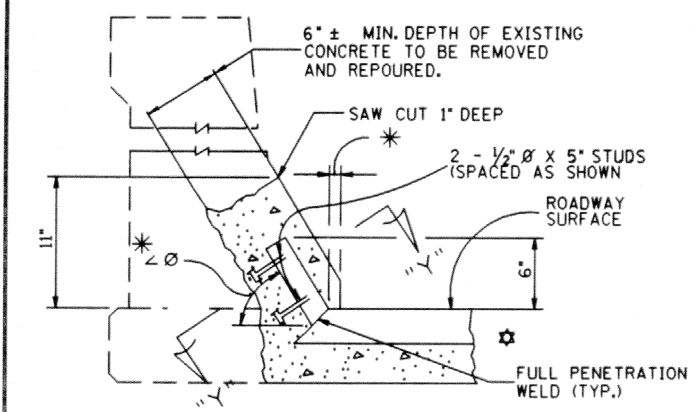
NOTE: THE EXPANSION JOINT LEVELING ASSEMBLIES SHALL BE LOCATED AT THE CENTER LINE OF EACH EXISTING BEAM OR GIRDER, EXCEPT WHEN DISTANCE BETWEEN ASSEMBLIES EXCEEDS TEN FEET (10'-0"). THEN ADDITIONAL ASSEMBLIES SHALL BE USED SUCH THAT THE DISTANCE BETWEEN ASSEMBLIES SHALL NOT EXCEED TEN FEET (10'-0"). BOLT ASSEMBLIES SHALL BE LOCATED IN THE FIELD BASED UPON DIMENSIONS TAKEN FROM THE SHOP DRAWINGS. EXPANSION DEVICES SHALL BE ALIGNED AND BROUGHT TO PROPER ELEVATION BEFORE LEVELING BOLTS ARE TIGHTENED AND NEW CONCRETE POURED.

€ TWO (2) THREADED 3/8" RODS (2 HEX NUTS AND 2-3 1/2" x 3 1/2" x 1/4" SO. WASHERS PER BOLT) LOCATED AT € OF EACH BEAM OR GIRDER.



PROJECT NO.	YEAR	SHEET NO.
	1991	

REVISIONS			
NO.	DATE	BY	BRIEF DESCRIPTION
1	7-29-92	WMM	REVISED TYPE "Y" RETAINER
2	12-2-94	TO	REVISED NOTE TYPE "Y" MOVED DETAIL GUIDE ANGLE TO DWG. SBR-2-115 AND ADDED DETAIL PART PLAN VIEW OF SHEWED EXPANSION JOINT
3	3-6-95	TO	REVISED DETAILS AND REMOVED SIGNATURES
4	1-4-96	TO	REVISED BR DRAWING NO. TO SBR DRAWING NO.



DESIGNED BY _____ DATE _____
 DRAWN BY CHARLES W. ROSS JR. DATE 9-88
 SUPERVISED BY GENTRY MCINTURFF DATE 9-88
 CHECKED BY MCINTURFF & GLASSGOW DATE 7-90