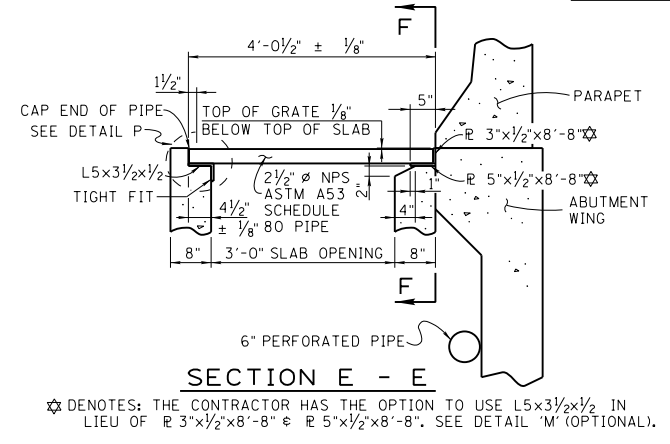
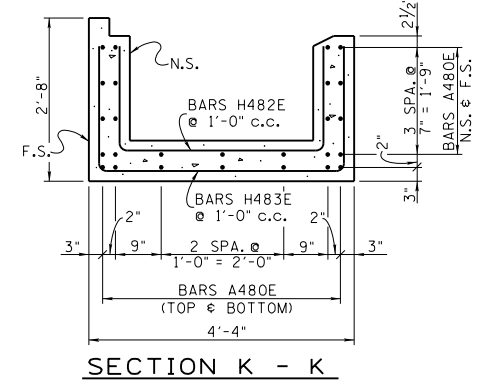
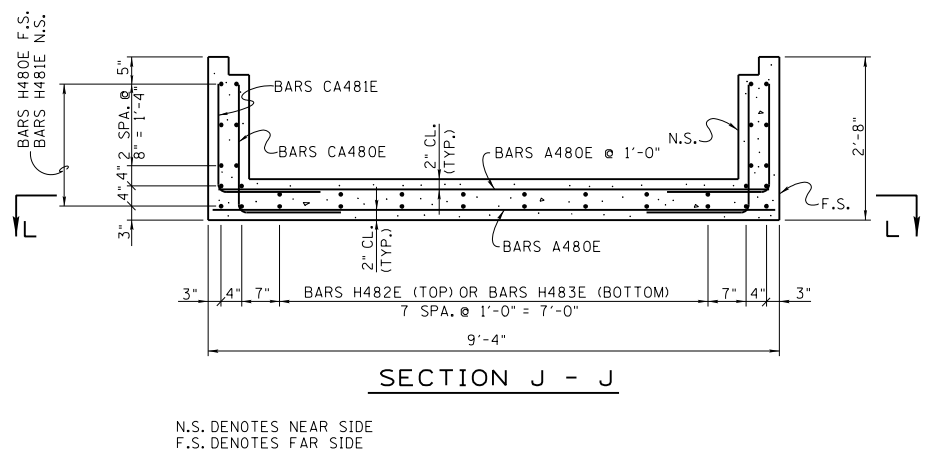
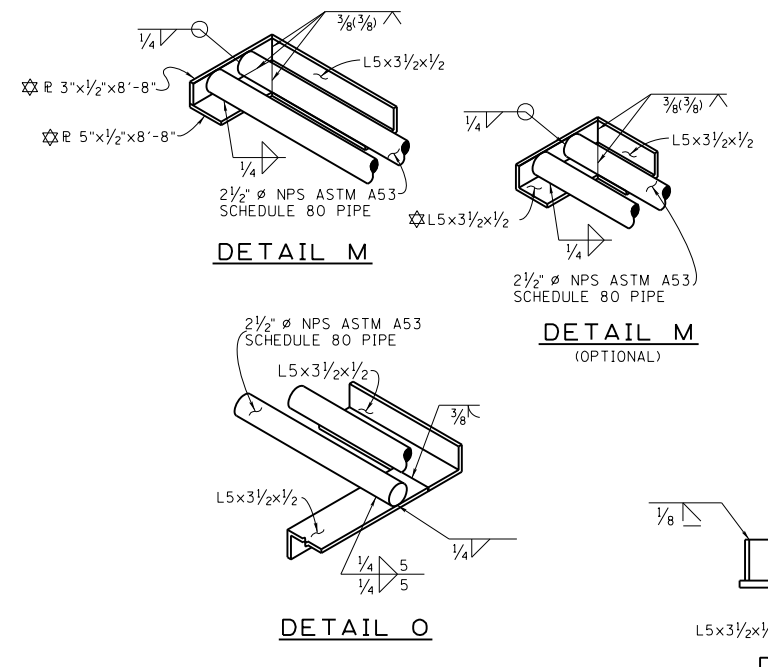
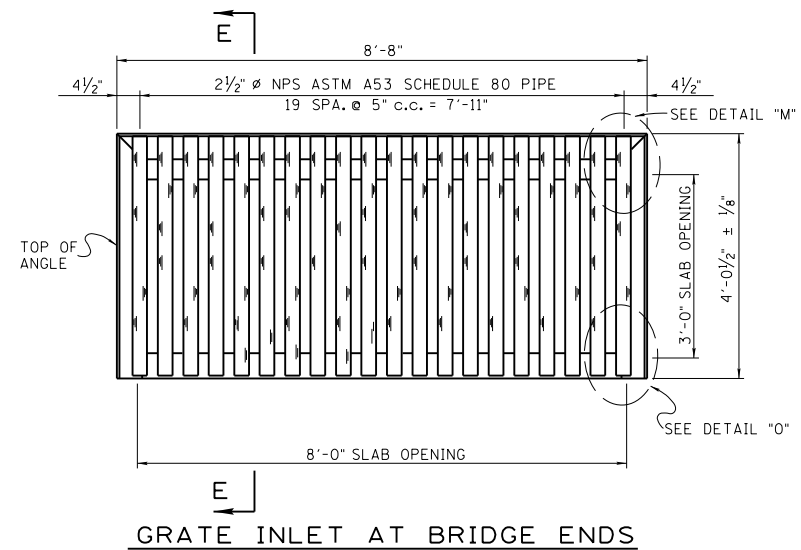
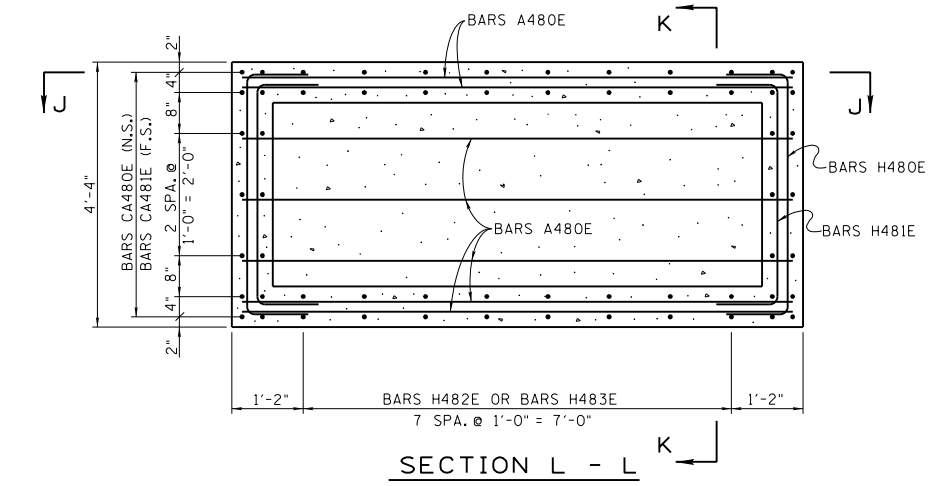


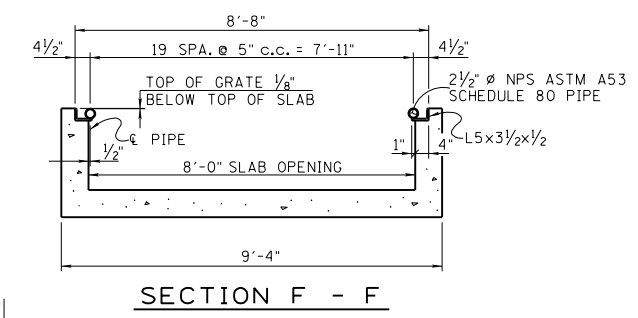
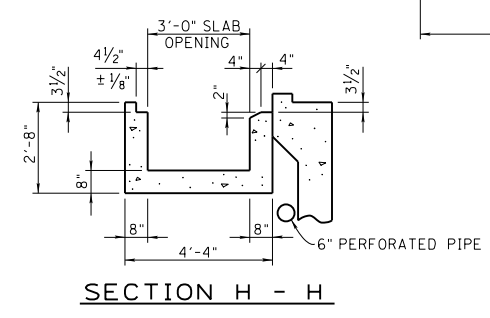
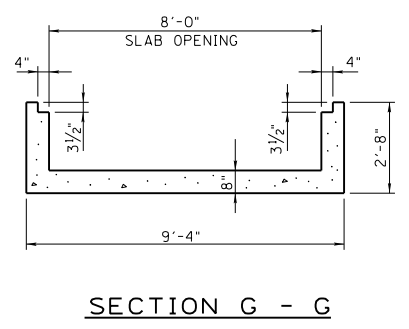
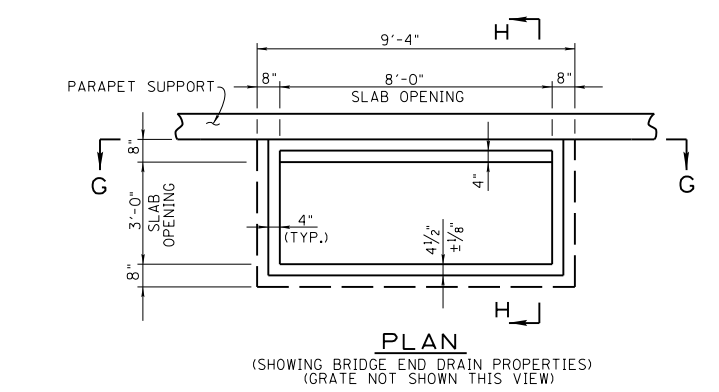
NOTE: AFTER ALL FABRICATION IS COMPLETE, THE GRATE ASSEMBLY SHALL BE ZINC COATED AS SPECIFIED BY ASTM A-123 SPECIFICATIONS FOR HOT-DIP GALVANIZED COATINGS. COATING THICKNESS SHALL BE AS SPECIFIED IN TABLE FOR MATERIAL 1/4" AND OVER. (2.3 oz/FT<sup>2</sup>).

PROJECT NO.	YEAR	SHEET NO.	
	2021		
REVISIONS			
NO.	DATE	BY	BRIEF DESCRIPTION
1	5/10/21	TAK	RE-ISSUED DRAWING

NOTE: FOR ADDITIONAL DETAILS SEE STD-1-1 THRU 4, 10 AND 11.



N.S. DENOTES NEAR SIDE  
F.S. DENOTES FAR SIDE



STATE OF TENNESSEE  
DEPARTMENT OF TRANSPORTATION  
BRIDGE END DRAIN DETAILS  
4' x 8'-7" WITHOUT  
PAVEMENT AT BRIDGE ENDS  
2021

DESIGNED BY C.M. HILES \_\_\_\_\_ DATE \_\_\_\_\_  
 DRAWN BY KIM FRANKENFIELD \_\_\_\_\_ DATE \_\_\_\_\_  
 SUPERVISED BY C.M. HILES \_\_\_\_\_ DATE \_\_\_\_\_  
 CHECKED BY \_\_\_\_\_ DATE \_\_\_\_\_

CORRECT *Del A Krings*  
ENGINEER OF STRUCTURES