



STATE OF TENNESSEE
DEPARTMENT OF TRANSPORTATION
TRAFFIC OPERATIONS DIVISION
SUITE 1800, JAMES K. POLK BUILDING
505 DEADERICK STREET
NASHVILLE, TENNESSEE 37243-1402
(615) 253-1122

HOWARD H. ELEY
COMMISSIONER

BILL LEE
GOVERNOR


TO: Ben Price, Assistant Chief Engineer of Operations
FROM: Lee Smith, Interim Director of Traffic Operations
SUBJECT: **Proprietary Item Request and Justification**
City of Murfreesboro

The City of Murfreesboro is requesting the following item be used in all signalization projects within their jurisdiction over the next three years where Federal and/or State funding are used.

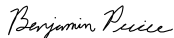
- **Roadway Lighting:** Holophane LED Light Fixtures.

The above item is essential for synchronization with existing facilities. The City of Murfreesboro has requested these light fixtures to be consistent with the requirements of the local utility company. Standardizing the light fixtures allows technicians to quickly diagnose issues which reduces the time required to maintain the system overall and helps keep the system operational during peak times to ensure maximum capacity of the synchronized system. By utilizing this item as the standard for the City of Murfreesboro, there will be a cost savings in stocking replacement equipment and will result in faster and less costly repair. See attached letter for additional justification details of this request.

I, Lee Smith, Interim Director of the Traffic Operations Division of the Tennessee Department of Transportation, do hereby certify that in accordance with the requirements of 23 CFR 635.411(a) (2) that the patented or proprietary items listed above are essential for the synchronization of existing facilities.


Lee Smith (Jul 8, 2022 08:10 CDT)

Interim Director of Traffic Operations



Assistant Chief Engineer of Operations

Jul 8, 2022

Date



. . . creating a better quality of life.

July 1, 2022

Steve Bryan, P.E., PTOE
TDOT Traffic Operations
Tennessee Department of Transportation
Suite 1800, James K. Polk Building
505 Deadrick Street
Nashville, TN 37243

**SUBJECT: Proprietary Item Request for High Mast Interchange Lighting
City of Murfreesboro**

Dear Steve:

The City Murfreesboro is requesting the use of Holophane LED fixtures be used on all projects in the City of Murfreesboro over the next 3 years using federal or state funds. There are currently 6 high mast lighting interchanges in the City of Murfreesboro all utilizing the Holophane fixtures.

The City maintains an inventory of parts for the Holophane lighting system, as such, our service technicians have undergone extensive training on the maintenance of this system. Thank you for your consideration of this request to better serve the citizens of Murfreesboro with increased efficiency through normal operations and maintenance activities. Should you have any questions, please feel free to contact me at 615-893-6441.

Sincerely,

Jim Kerr
Transportation Director

Enclosures: Holophane Cut Sheets

Catalog Number	HMLED4 P3 40K HVOLT HGR AW PR7 SH	
Notes		Type HIGH MAST

HMLED4

LED High Mast Lighting



Mechanical

Rugged die cast, low copper content aluminum alloy electrical and optical housing are polyester powder coated with super durable paint for durability and corrosion resistance. Rigorous pre-treating and painting process yields a finish that achieves a scribe creepage rating of 10 (per ASTM D1654) after over 5,000 hours exposure to salt fog chamber (per ASTM B117). Four bolt horizontal arm mount with +/- 5 degree vertical adjustment provides 3g vibration rating per ANSI C136. Mast arm mount is adjustable for arms from 1-1/4" to 2" (1-5/8" to 2-3/8"). Two captive bolts disengage top electrical cover for easy access to LED drivers, surge protection, and terminal block. IP66 rated LED modules, IP65 electrical assembly per IEC60068-2-3. Luminaire electrical and optical housing ship complete in one carton facilitating installation and minimizing carton disposal at jobsite.

Electrical

Quick disconnect connectors for ease of installation and maintenance. Extreme surge protection meets 20KV/10KA per ANSI/IEEE C62.41. Driver includes 0-10V dimming, meets maximum total harmonic distortion (THD) of 20%, and is ROHS compliant. A three stage terminal block is standard for ease of installation. Minimum operating temperature is -40°C. Electronic driver has an expected life of 100,000 hours at 25°C. XVOLT - Electrical option provides protection against dropped neutral in 277V input as derived from 480V Wye. XVOLT also provides greater immunity from six common power quality issues.

Optical

Chip on Board (COB) LED technology with color temperature options of 3000K, 4000K and 5000K with CRI of 70 minimum. Borosilicate prismatic glass optics ensure longevity and minimize dirt depreciation. Zero uplight optics reduce sky glow and meets Dark Sky requirements. Prismatic glass optics provide overlapping pattern on application space eliminating dark spots. Prismatic glass optics minimize direct view of LED, reducing glare. Rotatable optic assembly provides alignment of asymmetric distributions to roadway.

Controls (Optional)

Controls options include the PR3 and PR7 locking style photocontrol receptacles. The PR7 receptacle option is factory pre-wired to dimming leads of drivers. PCLL - Extreme long life solid state locking-style photocontrol (20 year rated life)

ICMNYX - Nyx Hemera module, an onboard device that can receive power line control signals and communicate commands to the driver. Part of an overall Nyx Hemera control system and relies on components of the control system that are installed outside of the luminaire and provided separately.

Field Adjustable Output (AO) module — An onboard device that allows manual adjustment of the light output and input wattage to meet site specific requirements, allowing a single fixture configuration to be flexibly applied in many different applications. The AO module is pre-set at the factory to position 8 (100% output).

Testing Compliance

See HoloPhane HMA0-LED Validation Test Specification — Luminaire conforms to the following standards:

- ANSI/IEEE extreme surge protection per C136.2
- ANSI C82.77:2002 harmonic distortion
- Vibration tested to 3g level per ANSI C136.31-2018
- Scribe creepage rating of 10 (per ASTM D1654) after over 5,000 hours exposure to salt fog chamber (per ASTM B117)
- FCC Title 47 Part 15, subpart B
- Optical enclosure tested to IP66 ingress protection per IEC 60529:1999
- IEC 61000 — Electromagnetic Compatibility Testing (EMC)
- UL 1598, Wet Location — Safety Listing
- DesignLights Consortium® (DLC) qualified product. Not all versions of this product may be DLC qualified. Please check the DLC Qualified Products List at www.designlights.org/QPL to confirm which versions are qualified.

Manufacturing

Manufactured in Crawfordsville, Indiana. ARRA compliant. Test 100% electrical of all luminaires before shipment. No less than five (5) years experience in manufacturing LED-based products.

Buy America

This product is assembled in the USA and meets the Buy America(n) government procurement requirements under FAR, DFARS and DOT. Please refer to www.acuitybrands.com/resources/buyamerican for additional information.

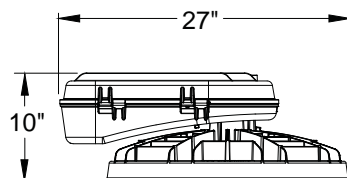
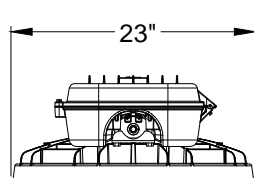
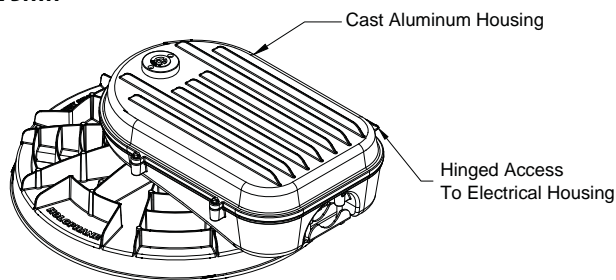
Warranty

5-year limited warranty. This is the only warranty provided and no other statements in this specification sheet create any warranty of any kind. All other express and implied warranties are disclaimed. Complete warranty terms located at: www.acuitybrands.com/support/warranty/terms-and-conditions

Note: Actual performance may differ as a result of end-user environment and application. All values are design or typical values, measured under laboratory conditions at 25 °C.



DIMENSIONAL DATA



Weight = 68 lbs. max (See Table on Page 6 for Details)
 EPA of Fixture = 1.30 sq. ft.
 EPA of Fixture with Shield = 3.11 sq. ft.
 UL1598, 50°C, Wet location P1, P2, P3, P4, P5
 UL1598, 40°C, Wet location P6
 UL1598, 30°C, Wet location P7

HMLED4

LED High Mast Luminaire



ORDERING INFORMATION

Example: HMLED4 P4 40K HVOLT HGR AW PR7

HMLED4	P3	40K	HVOLT	HGR	AW	PR7 SH
Series	Performance Package	Color temperature	Voltage	Housing Color	Optical	Options
HMLED4	P1 31,000 Lumens	30K 3000K CCT	MVOLT 120-277V	HAS As Specified	LN Long and Narrow	A0 Field Adjustable Output
	P2 42,000 Lumens	40K 4000K CCT	HVOLT 347-480V	HGR Gray	MAS Medium, Asymmetric	SFD Single Fuse Disconnect
	P3 63,000 Lumens	50K 5000K CCT	XVOLT 277-480V with enhanced power quality protection	HGH Graphite	MAW Medium, Asymmetric Wide	DFD Double Fuse Disconnect
	P4 85,000 Lumens			HBK Black		PR3 3 Pin NEMA Receptacle
	P5 105,000 Lumens			HBZ Bronze	NAS Narrow, Asymmetric	PR7 7 Pin NEMA Receptacle
	P6 112,000 Lumens			HWH White	FTA Forward Throw, Asymmetric	PCLL DTL DLL Photocontrol for 120-277V
	P7 120,000 Lumens					AN Area Narrow
				AW Area Wide	PCL4 DTL DLL Photocontrol for 480V	
				AW Area Wide	SH Shorting Cap	
				AWS Area Wide Square	ICMNYX Integrated Nyx Hemera Control	
					DALI DALI driver option, consult factory	

Accessories: Order as separate catalog number.	
HMLED1FUS10R	Single Fuse Accessory
HMLED2FUS10R	Double Fuse Accessory
HMLED4D90	90 Degree Shield
HMLED4D120	120 Degree Shield
HMLED4D180	180 Degree Shield

PERFORMANCE PACKAGE	DISTRIBUTION	SYSTEM WATTS	3000K		4000K		5000K	
			LUMENS	LPW	LUMENS	LPW	LUMENS	LPW
P1	LN	199	32,484	163	33,085	166	33,686	169
	MAS		29,689	149	30,238	152	30,787	155
	MAW		29,772	149	30,323	152	30,873	154
	NAS		29,864	150	30,416	153	30,968	156
	FTA		28,052	141	28,571	144	29,090	146
	AN		33,014	166	33,625	169	34,235	172
	AW		30,655	154	31,222	157	31,788	160
	AWS		30,589	154	31,155	157	31,720	159
P2	LN	295	46,264	157	47,120	160	47,975	162
	MAS		42,284	143	43,066	146	43,848	149
	MAW		42,401	144	43,186	147	43,970	149
	NAS		42,532	144	43,319	147	44,105	150
	FTA		39,952	135	40,691	138	41,430	140
	AN		47,019	159	47,889	162	48,758	165
	AW		43,659	148	44,466	151	45,273	153
	AWS		43,565	148	44,371	150	45,176	153
P3	LN	429	66,995	156	68,234	159	69,473	162
	MAS		61,231	143	62,363	145	63,495	148
	MAW		61,401	143	62,536	146	63,672	149
	NAS		61,590	144	62,729	146	63,868	149
	FTA		57,856	135	58,926	137	59,995	140
	AN		68,087	159	69,346	162	70,605	165
	AW		63,221	147	64,390	150	65,559	153
	AWS		63,086	147	64,253	150	65,420	152
P4	LN	582	86,109	148	87,701	151	89,294	153
	MAS		78,700	135	80,155	138	81,611	140
	MAW		78,919	136	80,378	138	81,838	141
	NAS		79,162	136	80,626	139	82,090	141
	FTA		74,359	128	75,734	130	77,109	132
	AN		87,513	150	89,131	153	90,749	156
	AW		81,258	140	82,761	142	84,264	145
	AWS		81,086	139	82,585	142	84,084	144
P5	LN	703	107,758	153	109,751	156	111,744	159
	MAS		98,487	140	100,308	143	102,129	145
	MAW		98,762	140	100,588	143	102,414	146
	NAS		99,065	141	100,897	144	102,729	146
	FTA		93,054	132	94,775	135	96,496	137
	AN		109,516	156	111,542	159	113,567	162
	AW		101,689	145	103,569	147	105,449	150
	AWS		101,472	144	103,348	147	105,225	150
P6	LN	753	112,822	150	114,908	153	116,995	155
	MAS		103,115	137	105,022	139	106,929	142
	MAW		103,403	137	105,315	140	107,227	142
	NAS		103,721	138	105,639	140	107,557	143
	FTA		97,427	129	99,229	132	101,030	134
	AN		114,663	152	116,783	155	118,903	158
	AW		106,467	141	108,436	144	110,405	147
	AWS		106,241	141	108,205	144	110,169	146
P7	LN	838	121,877	145	124,130	148	126,384	151
	MAS		111,391	133	113,450	135	115,510	138
	MAW		111,701	133	113,767	136	115,832	138
	NAS		112,045	134	114,117	136	116,188	139
	FTA		105,246	126	107,192	128	109,138	130
	AN		123,865	148	126,156	151	128,446	153
	AW		115,012	137	117,139	140	119,265	142
	AWS		114,767	137	116,889	139	119,011	142

OPTIONS MATRIX

		Performance Package							Color Temperature			Voltage			Housing Color					
		P1	P2	P3	P4	P5	P6	P7	30K	40K	50K	MVOLT	HVOLT	XVOLT	HAS	HGR	HGY	HBK	HBZ	HWH
Performance Package	P1		N	N	N	N	N	N	Y	Y	Y	Y	Y	Y	Y	Y	Y	Y	Y	Y
	P2	N		N	N	N	N	N	Y	Y	Y	Y	Y	Y	Y	Y	Y	Y	Y	Y
	P3	N	N		N	N	N	N	Y	Y	Y	Y	Y	Y	Y	Y	Y	Y	Y	Y
	P4	N	N	N		N	N	N	Y	Y	Y	Y	Y	Y	Y	Y	Y	Y	Y	Y
	P5	N	N	N	N		N	N	Y	Y	Y	Y	Y	Y	Y	Y	Y	Y	Y	Y
	P6	N	N	N	N	N		N	Y	Y	Y	Y	Y	Y	Y	Y	Y	Y	Y	Y
	P7	N	N	N	N	N	N		Y	Y	Y	Y	Y	N	Y	Y	Y	Y	Y	Y
Color Temperature	30K	Y	Y	Y	Y	Y	Y		N	N	Y	Y	Y	Y	Y	Y	Y	Y	Y	
	40K	Y	Y	Y	Y	Y	Y	Y	N	N	Y	Y	Y	Y	Y	Y	Y	Y	Y	
	50K	Y	Y	Y	Y	Y	Y	Y	N	N	Y	Y	Y	Y	Y	Y	Y	Y	Y	
Voltage	MVOLT	Y	Y	Y	Y	Y	Y	Y	Y	Y		N	N	Y	Y	Y	Y	Y	Y	
	HVOLT	Y	Y	Y	Y	Y	Y	Y	Y	Y	Y		N	Y	Y	Y	Y	Y	Y	
	XVOLT	Y	Y	Y	Y	Y	Y	N	Y	Y	Y	N		Y	Y	Y	Y	Y		
Housing Color	HAS	Y	Y	Y	Y	Y	Y	Y	Y	Y	Y	Y	Y		N	N	N	N	N	
	HGR	Y	Y	Y	Y	Y	Y	Y	Y	Y	Y	Y	Y	N		N	N	N	N	
	HGY	Y	Y	Y	Y	Y	Y	Y	Y	Y	Y	Y	Y	N	N		N	N	N	
	HBK	Y	Y	Y	Y	Y	Y	Y	Y	Y	Y	Y	Y	N	N	N		N	N	
	HBZ	Y	Y	Y	Y	Y	Y	Y	Y	Y	Y	Y	Y	N	N	N	N		N	
	HWH	Y	Y	Y	Y	Y	Y	Y	Y	Y	Y	Y	Y	N	N	N	N	N		
Optics	LN	Y	Y	Y	Y	Y	Y	Y	Y	Y	Y	Y	Y	Y	Y	Y	Y	Y	Y	
	MAS	Y	Y	Y	Y	Y	Y	Y	Y	Y	Y	Y	Y	Y	Y	Y	Y	Y	Y	
	MAW	Y	Y	Y	Y	Y	Y	Y	Y	Y	Y	Y	Y	Y	Y	Y	Y	Y	Y	
	NAS	Y	Y	Y	Y	Y	Y	Y	Y	Y	Y	Y	Y	Y	Y	Y	Y	Y	Y	
	FTA	Y	Y	Y	Y	Y	Y	Y	Y	Y	Y	Y	Y	Y	Y	Y	Y	Y	Y	
	AN	Y	Y	Y	Y	Y	Y	Y	Y	Y	Y	Y	Y	Y	Y	Y	Y	Y	Y	
	AW	Y	Y	Y	Y	Y	Y	Y	Y	Y	Y	Y	Y	Y	Y	Y	Y	Y	Y	
	AWS	Y	Y	Y	Y	Y	Y	Y	Y	Y	Y	Y	Y	Y	Y	Y	Y	Y	Y	
Options	AO	Y	Y	Y	Y	Y	Y	Y	Y	Y	Y	Y	Y	Y	Y	Y	Y	Y	Y	
	DALI	RFD	RFD	RFD	RFD	RFD	RFD	N	RFD	RFD	RFD	RFD	N	N	RFD	RFD	RFD	RFD	RFD	
	SFD	Y	Y	Y	Y	Y	Y	RFD	Y	Y	Y	Y	Y	Y	Y	Y	Y	Y	Y	
	DFD	Y	Y	Y	Y	Y	Y	RFD	Y	Y	Y	Y	Y	Y	Y	Y	Y	Y	Y	
	PR3	Y	Y	Y	Y	Y	Y	Y	Y	Y	Y	Y	Y	Y	Y	Y	Y	Y	Y	
	PR7	Y	Y	Y	Y	Y	Y	Y	Y	Y	Y	Y	Y	Y	Y	Y	Y	Y	Y	
	PCLL	Y	Y	Y	Y	Y	Y	Y	Y	Y	Y	Y	N	Y	Y	Y	Y	Y	Y	
	PCL3	Y	Y	Y	Y	Y	Y	Y	Y	Y	Y	N	Y	Y	Y	Y	Y	Y	Y	
	PCL4	Y	Y	Y	Y	Y	Y	Y	Y	Y	Y	N	Y	Y	Y	Y	Y	Y	Y	
	SH	Y	Y	Y	Y	Y	Y	Y	Y	Y	Y	Y	Y	Y	Y	Y	Y	Y	Y	
HSS	ICMNYX	Y	Y	Y	Y	N	N	N	Y	Y	Y	Y	Y	N	Y	Y	Y	Y	Y	
	HMLEd4D90	Y	Y	Y	Y	Y	Y	Y	Y	Y	Y	Y	Y	Y	Y	Y	Y	Y	Y	
	HMLEd4D120	Y	Y	Y	Y	Y	Y	Y	Y	Y	Y	Y	Y	Y	Y	Y	Y	Y	Y	
	HMLEd4D180	Y	Y	Y	Y	Y	Y	Y	Y	Y	Y	Y	Y	Y	Y	Y	Y	Y	Y	

Note: Options designated "RFD" require additional information. Consult factory

OPTIONS MATRIX (continued)

		Options											Shielding		
		AO	DALI	SFD	DFD	PR3	PR7	PCLL	PCL3	PCL4	SH	ICMNYX	HMLED4D90	HMLED4D120	HMLED4D180
Performance Package	P1	Y	RFD	Y	Y	Y	Y	Y	Y	Y	Y	Y	Y	Y	Y
	P2	Y	RFD	Y	Y	Y	Y	Y	Y	Y	Y	Y	Y	Y	Y
	P3	Y	RFD	Y	Y	Y	Y	Y	Y	Y	Y	Y	Y	Y	Y
	P4	Y	RFD	Y	Y	Y	Y	Y	Y	Y	Y	Y	Y	Y	Y
	P5	Y	RFD	Y	Y	Y	Y	Y	Y	Y	Y	N	Y	Y	Y
	P6	Y	RFD	Y	Y	Y	Y	Y	Y	Y	Y	N	Y	Y	Y
	P7	Y	N	Y	Y	Y	Y	Y	Y	Y	Y	N	Y	Y	Y
Color Temperature	30K	Y	RFD	Y	Y	Y	Y	Y	Y	Y	Y	Y	Y	Y	Y
	40K	Y	RFD	Y	Y	Y	Y	Y	Y	Y	Y	Y	Y	Y	Y
	50K	Y	RFD	Y	Y	Y	Y	Y	Y	Y	Y	Y	Y	Y	Y
Voltage	MVOLT	Y	RFD	Y	Y	Y	Y	Y	N	N	Y	Y	Y	Y	Y
	HVOLT	Y	N	Y	Y	Y	Y	N	Y	Y	Y	Y	Y	Y	Y
	XVOLT	Y	N	Y	Y	Y	Y	Y	Y	Y	Y	N	Y	Y	Y
Housing Color	HAS	Y	RFD	Y	Y	Y	Y	Y	Y	Y	Y	Y	Y	Y	Y
	HGR	Y	RFD	Y	Y	Y	Y	Y	Y	Y	Y	Y	Y	Y	Y
	HGY	Y	RFD	Y	Y	Y	Y	Y	Y	Y	Y	Y	Y	Y	Y
	HBK	Y	RFD	Y	Y	Y	Y	Y	Y	Y	Y	Y	Y	Y	Y
	HBZ	Y	RFD	Y	Y	Y	Y	Y	Y	Y	Y	Y	Y	Y	Y
Optics	LN	Y	RFD	Y	Y	Y	Y	Y	Y	Y	Y	Y	Y	Y	Y
	MAS	Y	RFD	Y	Y	Y	Y	Y	Y	Y	Y	Y	Y	Y	Y
	MAW	Y	RFD	Y	Y	Y	Y	Y	Y	Y	Y	Y	Y	Y	Y
	NAS	Y	RFD	Y	Y	Y	Y	Y	Y	Y	Y	Y	Y	Y	Y
	FTA	Y	RFD	Y	Y	Y	Y	Y	Y	Y	Y	Y	Y	Y	Y
	AN	Y	RFD	Y	Y	Y	Y	Y	Y	Y	Y	Y	Y	Y	Y
	AW	Y	RFD	Y	Y	Y	Y	Y	Y	Y	Y	Y	Y	Y	Y
	AWS	Y	RFD	Y	Y	Y	Y	Y	Y	Y	Y	Y	Y	Y	Y
Options	AO	N	N	Y	Y	Y	Y	Y	Y	Y	Y	N	Y	Y	Y
	DALI	N	N	RFD	RFD	RFD	RFD	RFD	RFD	RFD	RFD	N	RFD	RFD	RFD
	SFD	Y	RFD	N	N	Y	Y	Y	Y	Y	Y	Y	Y	Y	Y
	DFD	Y	RFD	N	N	Y	Y	Y	Y	Y	Y	Y	Y	Y	Y
	PR3	Y	RFD	Y	Y	N	N	Y	Y	Y	Y	N	Y	Y	Y
	PR7	Y	RFD	Y	Y	N	N	Y	Y	Y	Y	N	Y	Y	Y
	PCLL	Y	RFD	Y	Y	Y	Y	N	N	N	N	N	Y	Y	Y
	PCL3	Y	RFD	Y	Y	Y	Y	N	N	N	N	N	Y	Y	Y
	PCL4	Y	RFD	Y	Y	Y	Y	N	N	N	N	N	Y	Y	Y
HSS	SH	Y	RFD	Y	Y	Y	Y	N	N	N	N	N	Y	Y	Y
	ICMNYX	N	N	Y	Y	N	N	N	N	N	N	N	Y	Y	Y
	HMLED4D90	Y	RFD	Y	Y	Y	Y	Y	Y	Y	Y	Y	N	N	N
	HMLED4D120	Y	RFD	Y	Y	Y	Y	Y	Y	Y	Y	Y	N	N	N
	HMLED4D180	Y	RFD	Y	Y	Y	Y	Y	Y	Y	Y	Y	N	N	N

Note: Options designated "RFD" require additional information. Consult factory

Adjustable Output Reponse (AO)		
AO Position	% Lumen Output	% Wattage
1	21%	19%
2	33%	31%
3	46%	43%
4	58%	56%
5	70%	68%
6	82%	81%
7	94%	94%
8 (factory default)	100%	100%

Luminaire Ambient Temperature (LAT) Factor					
0C	15C	25C	35C	40C	50C
1.05	1.02	1.00	0.98	0.97	0.96

P1 thru P5 qualified to 50°C
 P6 qualified to 40°C
 P7 qualified to 30°C
 ICMNYX option qualified to 40°C

Lumen Package	LED Lumen Maintenance					
	0 hours	25,000 hours	50,000 hours	60,000 hours	75,000 hours	100,000 hours
P1 thru P4	100%	96%	92%	91%	<i>89%</i>	<i>85%</i>
P5	100%	96%	92%	90%	<i>88%</i>	<i>84%</i>
P6	100%	95%	91%	89%	<i>87%</i>	<i>82%</i>
P7	100%	94%	89%	87%	<i>84%</i>	<i>79%</i>

The *italicized* data is extrapolated beyond the TM-21 standard

	Input Operating Amps					
	120V	208V	240V	277V	347V	480V
P1	1.69	0.97	0.84	0.73	0.58	0.42
P2	2.48	1.43	1.24	1.08	0.86	0.62
P3	3.59	2.07	1.80	1.56	1.24	0.90
P4	4.87	2.81	2.44	2.11	1.69	1.22
P5	5.85	3.38	2.93	2.53	2.02	1.46
P6	6.28	3.62	3.14	2.72	2.17	1.57
P7	6.97	4.02	3.48	3.02	2.65	1.92

Fixture Weight	
P1 thru P2	47 lbs
P3 thru P4	53 lbs
P5 thru P7	59 lbs
P7 HVOLT	68 lbs

Catalog Number W4GLED W4P4000A00L13NCRVAVPRPISHGYSDP PR7 LWG	
Notes 100-150 WATT EQUIVALENT UNDERBRIDGE	Type HIGH MAST

Wallpack® LED



LVG - Vandal guard



LWG - Wire guard



Description

Perimeter and security lighting requires excellent control and uniformity while minimizing light trespass and glare. The W4GLED/W4PLED Wallpack LED luminaires excel at this, requiring fewer luminaires to achieve required light levels in infrastructure, industrial and municipal applications. With energy cost reductions up to 77% and expected service life of over 20 years, Wallpack LED provides the latest lighting technology from the company that introduced the very first Wallpack to the market.

Optics

- The W4G uses a tempered glass lens and the W4P uses a protective polycarbonate lens that covers the light engine's precision-molded proprietary acrylic lenses.
- Type 3 medium
- Type 3 short (IP66 rated light engine)

Mechanical

- The housing is constructed of die-cast aluminum and is fully gasketed for ease of maintenance
- The LED driver is mounted to the front casting to thermally isolate it from the light engine for low operating temperature and long life
- Housing is completely sealed against moisture and environmental contaminants, IP55
- Exterior parts are protected by a zinc-infused Super Durable TGIC thermoset powder coat finish that provides superior resistance to corrosion and weathering.
- A tightly controlled multi-stage process ensures a minimum 3 mils thickness for a finish that can withstand extreme climate changes without cracking or peeling.

Electrical

- Light engine(s) consist of 10-30 high-efficacy LEDs mounted to a metal-core circuit board and integral aluminum heat sink to maximize heat dissipation and promote long life
- The dimmable electronic driver has a power factor of >90%, THD <20%
- SPD: 20kV/10kA standard
- CCT: 3000K, 4000K, 5000K
- CRI: 70CRI
- Integrated emergency backup on W4GLED with T3M option

Installation

- Top 3/4" threaded wiring access
- Back access through removable 3/4" knockout
- Feed-thru wiring can be achieved by using a conduit tee

Certification and Standards

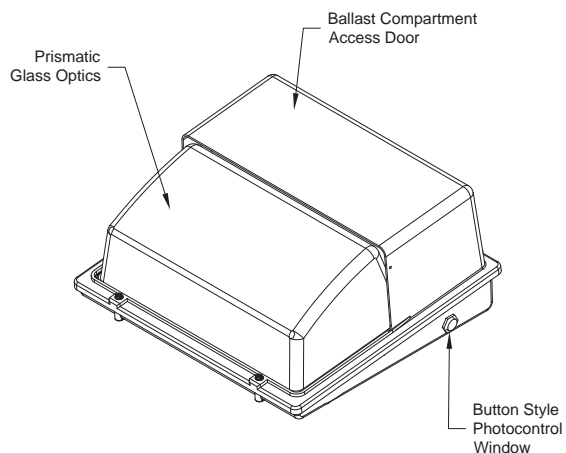
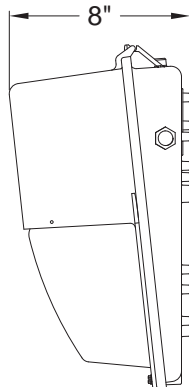
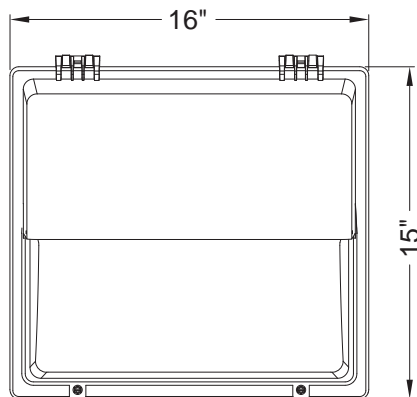
- UL listed for wet locations. Rated for -40 °C to 40 °C ambient, refer to page 4 for details
- Designlights ConsortiumÆ (DLC) qualified product. Not all versions of this product may be DLC qualified. Please check the DLC Qualified Products List at www.designlights.org/QPL to confirm which versions are qualified.
- LM-79 compliant
- The projected LED Lumen Maintenance shall be based only on IES LM-80-08 and TM-21

Warranty

5-year limited warranty. This is the only warranty provided and no other statements in this specification sheet create any warranty of any kind. All other express and implied warranties are disclaimed. Complete warranty terms located at: www.acuitybrands.com/support/warranty/terms-and-conditions

Note: Actual performance may differ as a result of end-user environment and application. All values are design or typical values, measured under laboratory conditions at 25 °C.

DIMENSIONAL DATA



ORDERING INFORMATION *Italicized and Blue INDICATES OPTIONS ONLY AVAILABLE WITH W4GLED*

Example: W4GLED 30C1000 40K T3S MVOLT SPD PR7 BZSDP

W4GLED	20C1000	40K	T3M	MVOLT	SPD
Series	Performance Package	Color Temperature	Distribution	Voltage	Surge Protection
<i>W4GLED</i> Wallpack IV Glass LED	<i>10C1000</i> 10 LED	30K 3000 series CCT	T3M Type III Medium	MVOLT Multi-volt: 120-277 volt	SPD 20kV/10kA (Standard)
W4PLED Wallpack IV Plastic LED	<i>20C1000</i> 20 LED	40K 4000 series CCT	T3S Type III Short	120 120 Volt	
	<i>30C1000</i> 30 LED	50K 5000 series CCT		208 208 Volt	
	10C700 10 LED			240 240 Volt	
	20C700 20 LED			277 277 Volt	
	30C700 30 LED			347 ¹ 347 Volt	
				480 ¹ 480 Volt	

PR7	LWG	GYSPD
Control Options	Options	Super Durable Paint
PCB ² Button Style Photoelectric Cell	AO ⁴ <i>Field Adjustable Output</i>	BKSDP Black Super Durable Paint
<i>PR3³ N.E.M.A. Twistlock 3-pin Receptacle - Control not included</i>	SF Single Fusing	BZSDP Bronze Super Durable Paint
<i>PR7³ N.E.M.A. Twistlock 7-pin Receptacle - Control not included</i>	DF Double Fusing	GYSDP Grey Super Durable Paint
	TPS Tamper resistant screws	WHSDP White Super Durable Paint
	NOM ⁵ NOM Certified	
	<i>ELSW⁶ Emergency Battery Backup (Standard 0°C)</i>	
	<i>ELCW⁶ Emergency Battery Backup (Cold Weather -20°C)</i>	
	<i>LWG⁷ Wire Guard</i>	
	<i>LVG⁸ Vandal Guard</i>	

Accessories: Order as separate catalog number.	
<i>DLL127F 1.5 JUP</i>	<i>Photocell - SSL Twist-Lock (120-277V)</i>
<i>DLL347 1.5 CUL JUP</i>	<i>Photocell - SSL Twist-Lock (347V)</i>
<i>DLL480 1.5 CUL JUP</i>	<i>Photocell - SSL Twist-Lock (480V)</i>
<i>SH U⁹</i>	<i>Shorting Cap</i>
<i>W4GVGU</i>	<i>Vandal Guard</i>
<i>W4GWGU</i>	<i>Wire Guard</i>

Notes

- 1 Not available with 10C1000
- 2 Not available with 480V
- 3 Available Only with W4G
- 4 Not available with 10C1000
- 5 Available with T3M only
- 6 Not Available 30C Performance Package. Not Available 347, 480 Voltage. Not Available PE, P3, P7 Control.
- 7 Not available with LVG option. Casting is pre-drilled for guard. Vandal guard ships separately.
- 8 Not available with LWG option. Casting is pre-drilled for guard. Vandal guard ships separately.
- 9 Only available with PR3 control option (ships separately)
- 10 Not available with PCB option

OPTIONS MATRIX

Parameters		Voltage Options by LED Package			SELECTED OPTION											
		10Cxxxx	20Cxxxx	30Cxxxx	AO	PCB	PR3	PR7	SF	DF	TPS	NOM	ELSW	ELCW	LWG	LVG
LED Package	10Cxxxx				N	Y	W4G	W4G	Y	Y	Y	T3M	W4GM	W4GM	Y	W4G
	20Cxxxx				Y	Y	W4G	W4G	Y	Y	Y	T3M	W4GM	W4GM	Y	W4G
	30Cxxxx				Y	Y	W4G	W4G	Y	Y	Y	T3M	N	N	Y	W4G
Voltage	MVOLT	Y	Y	Y	Y	Y	W4G	W4G	Y	N	Y	T3M	W4GM	W4GM	Y	W4G
	120	Y	Y	Y	Y	Y	W4G	W4G	Y	Y	Y	T3M	W4GM	W4GM	Y	W4G
	208	Y	Y	Y	Y	Y	W4G	W4G	Y	Y	Y	T3M	W4GM	W4GM	Y	W4G
	240	Y	Y	Y	Y	Y	W4G	W4G	Y	Y	Y	T3M	W4GM	W4GM	Y	W4G
	277	Y	Y	Y	Y	Y	W4G	W4G	Y	Y	Y	T3M	W4GM	W4GM	Y	W4G
	347	N	Y	Y	Y	Y	W4G	W4G	Y	Y	Y	T3M	N	N	Y	W4G
	480	N	Y	Y	Y	N	W4G	W4G	Y	Y	Y	T3M	N	N	Y	W4G
Optic	T3M				Y	Y	W4G	W4G	Y	Y	Y	T3M	W4GM	W4GM	Y	W4G
	T3S				W4G	Y	W4G	W4G	Y	Y	Y	N	N	N	Y	W4G
Controls	AO					Y	W4G	W4G	Y	Y	Y	T3M	W4GM	W4GM	Y	W4G
	PCB				Y		N	N	Y	N	Y	T3M	N	N	Y	W4G
	PR3				W4G	N		N	W4G	W4G	W4G	W4GM	N	N	W4G	W4G
	PR7				W4G	N	N		W4G	W4G	W4G	W4GM	N	N	W4G	W4G
Options	SF				Y	Y	W4G	W4G		N	Y	T3M	W4GM	W4GM	Y	W4G
	DF				Y	Y	W4G	W4G	N		Y	T3M	W4GM	W4GM	Y	W4G
	TPS				Y	Y	W4G	W4G	Y	Y		T3M	W4GM	W4GM	Y	W4G
	NOM				Y	W4G	W4G	W4G	Y	Y	Y		W4GM	W4GM	N	W4G
	ELSW				Y	N	N	N	W4G	W4G	W4G	T3M			W4G	W4G
	ELCW				Y	N	N	N	W4G	W4G	W4G	T3M			W4G	W4G
	LWG				Y	Y	Y	Y	Y	Y	Y	T3M	W4GM	W4GM		N
	LVG				W4G	W4G	W4G	W4G	W4G	W4G	W4G	W4GM	W4GM	W4GM	N	

LEGEND

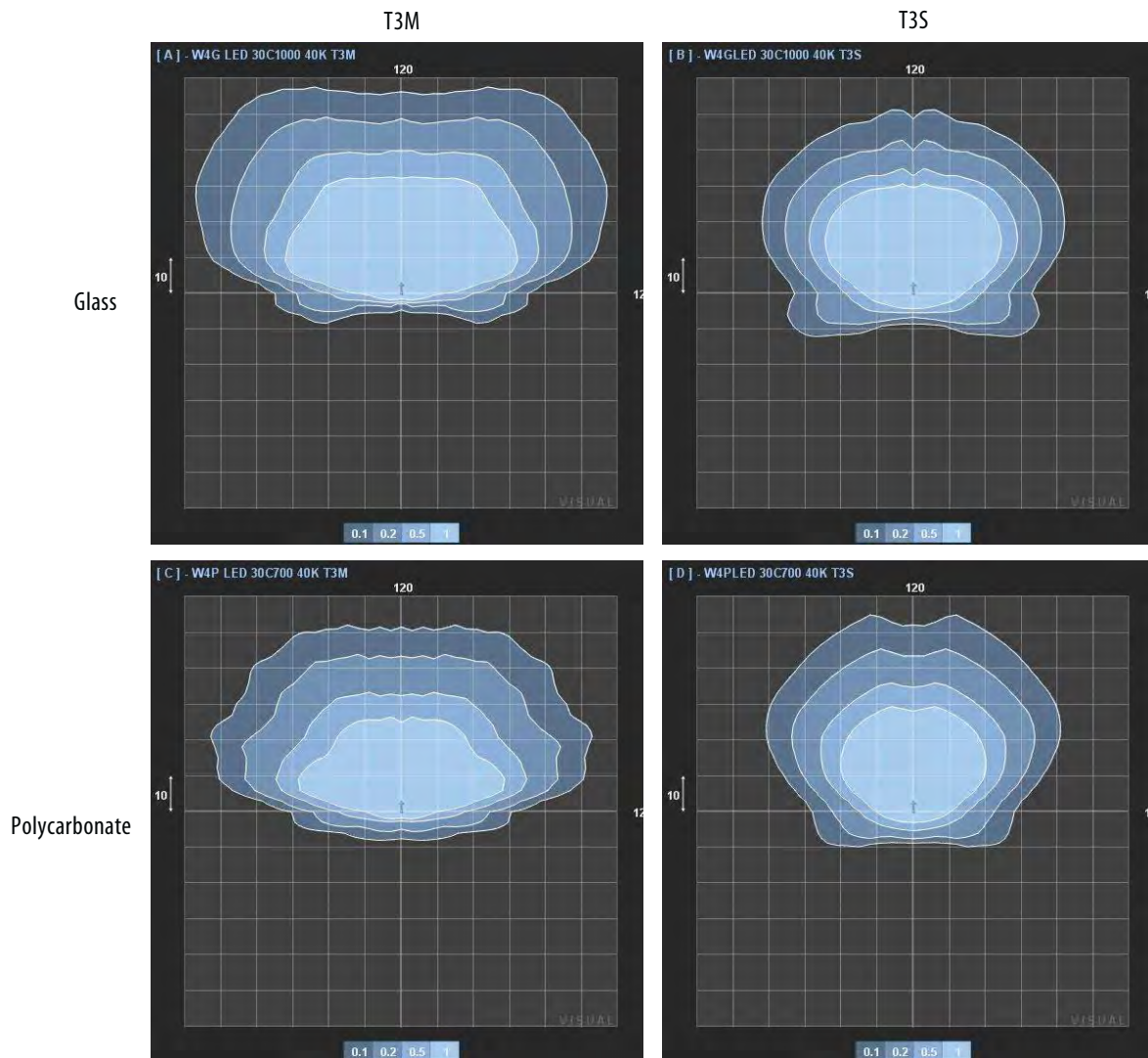
- N = Not available with W4GLED & W4PLED
- Y = Valid combination with W4GLED & W4PLED
- T3M = Only available on W4GLED & W4PLED with T3M distribution
- W4G = Only available with W4GLED
- W4GM = Only available on W4GLED with T3M distribution

OPERATIONAL DATA

Operating Characteristics

Series	LED Package	System Watts	Distribution Type	30K (3000K, 70 CRI)					40K (4000K, 70 CRI)					50K (5000K, 70 CRI)					
				Lumens	LPW	B	U	G	Lumens	LPW	B	U	G	Lumens	LPW	B	U	G	
W4G	10C1000	39	T3M	3140	81	0	3	3	3377	87	0	3	3	3398	87	0	3	3	
	20C1000	72		6495	90	1	3	4	6983	97	1	3	4	7027	98	1	3	4	
	30C1000	104		7789	75	1	3	4	8375	81	1	3	5	8427	81	1	3	5	
W4P	10C700	26		2030	78	0	3	2	2183	84	0	3	2	2197	85	0	3	2	
	20C700	45		3912	87	0	3	3	4207	93	1	3	3	4233	94	1	3	3	
	30C700	67		4813	72	1	3	3	5176	77	1	3	4	5208	78	1	3	4	
W4G	10C1000	28		T3S	3206	115	0	3	2	3485	124	0	3	2	3485	124	0	3	2
	20C1000	57			6507	114	1	3	2	7073	124	1	3	3	7073	124	1	3	3
	30C1000	77			8477	110	1	3	3	9214	120	1	3	3	9214	120	1	3	3
W4P	10C700	27	2709		100	0	3	2	2944	109	0	3	3	2944	109	0	3	3	
	20C700	38	3299		87	0	3	3	4017	106	1	3	3	4017	106	1	3	3	
	30C700	49	4203		86	1	3	3	5173	106	1	3	3	5173	106	1	3	3	

PHOTOMETRIC DISTRIBUTIONS



OPERATIONAL DATA

Lumen Maintenance

Data references the extrapolated performance projections for the platforms noted in a 25°C ambient, based on 10,000 hours of LED testing (tested per IESNA LM-80-08 and projected per IESNA TM-21-11).

To calculate LLF, use the lumen maintenance factor that corresponds to the desired number of operating hours below. For other lumen maintenance values, contact factory.

Lumen Maintenance Factor with TM3 Optic Option

Operating Hours	0	25,000	50,000	100,000
Glass Lumen Maintenance Factor	1.00	0.969	0.935	0.870
Polycarbonate Lumen Maintenance Factor	1.00	0.998	0.993	0.982

Lumen Maintenance Factor with T3S Optic Option

Operating Hours	0	25,000	50,000	100,000
Glass Lumen Maintenance Factor	1.00	1.00	0.977	0.925
Polycarbonate Lumen Maintenance Factor	1.00	1.00	0.977	0.925

The italicized is extrapolated beyond the TM-21 standard.

$$E = (LM) \times (LAT) \times (LLD)$$

Lumen Ambient Temperature (LAT) Multipliers

Use this factors to determine relative lumen output for average ambient temperatures from 0-40° C (32-104°F)

Ambient		Lumen Temperature	
		LEDs with T3M	LEDs with T3S
0° C	32° F	1.02	1.05
10° C	50° F	1.01	1.03
20° C	68° F	1.00	1.01
25° C	77° F	1.00	1.00
30° C	86° F	1.00	0.99
40° C	104° F	0.98	0.97

Ambient Temperature Ratings

Distribution	LED Package	Temperature
T3M	10C1000	40° C
	20C1000	35° C
	30C1000	35° C
	ELSW Option	30° C
	ELCW Option	30° C

Distribution	LED Package	Temperature
T3M	10C700	40° C
	20C700	40° C
	30C700	40° C

Distribution	LED Package	Temperature
T3S	10C700	40° C
	20C700	40° C
	30C700	40° C
	10C1000	40° C
	20C1000	40° C
	30C1000	40° C



Consistent with LEED® goals & Green Globes™ criteria for light pollution reduction



Autobahn Series ATB0 Roadway Lighting

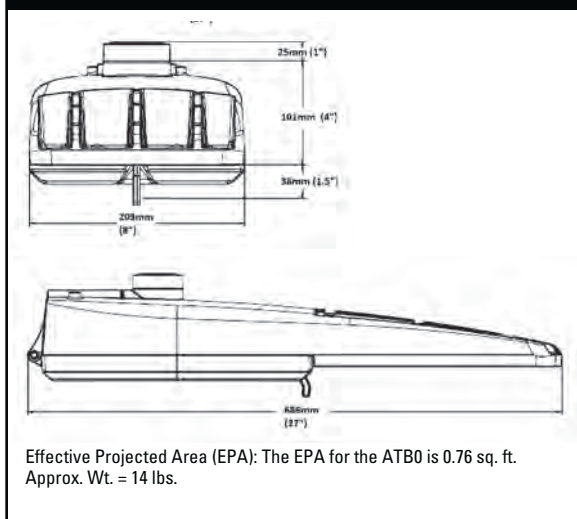
PRODUCT OVERVIEW



Applications:

- Roadways
- Off ramps
- Residential streets
- Parking lots

DIMENSIONS



STANDARDS

DesignLights Consortium® (DLC) qualified product. Not all versions of this product may be DLC qualified. Please check the DLC Qualified Products List at www.designlights.org/QPL to confirm which versions are qualified.

Color temperatures of $\leq 3000\text{K}$ must be specified for International Dark-Sky Association certification.

Rated for -40°C to 40°C ambient

CSA Certified to U.S. and Canadian standards

Complies with ANSI: C136.2, C136.10, C136.14, C136.31, C136.15, C136.37

BUY AMERICAN — Product with the BAA option is assembled in the USA and meets the Buy America(n) government procurement requirements under FAR, DFARS and DOT. Please refer to www.acuitybrands.com/buy-american for additional information.

Note: Specifications subject to change without notice. Actual performance may differ as a result of end-user environment and application.

Features:

OPTICAL

The Autobahn's new molded silicone optics provide exceptional performance. Silicone optics are superior to other polymeric materials in the areas of; optical efficiency, thermal performance, and reduction in dirt accumulation, all of which can lead to long term lumen degradation and a shift in optical distribution. Also, because silicone allows for the molding of fine details as well as thick sections, it produces the most crisp, clean and well-defined lighting distributions available. Silicone optics paired with modern LED's allow the Autobahn to take full advantage of both technologies.

Same Light: Performance is comparable to 100 - 400W HPS roadway luminaires.

White Light: Correlated color temperature - 4000K, or optional 2700K, 3000K or 5000K, all 70 CRI minimum.

Unique IP66 rated LED light engines provided 0% uplight and restrict backlight to within sidewalk depth, providing optimal application coverage and optimal pole spacing. Available in Type II, III, IV, and V roadway distributions.

ELECTRICAL

Expected Life: LED light engines are rated $>100,000$ hours at 25°C , L70. Electronic driver has an expected life of 100,000 hours at a 25°C ambient.

Lower Energy: Saves an expected of 40-60% over comparable HID luminaires.

Robust Surge Protection: Two different surge protection options provide a minimum of ANSI C136.2 10kV/5kA protection. 20kV/10kA protection is also available.

Luminaire ships with a 0-10v dimmable driver. Luminaire is continuous and step dimming capable via AO option or controls installed on P7 photocontrol receptacle option.

MECHANICAL

Includes standard AEL lineman-friendly features such as tool-less entry, 3 station terminal block and quick disconnects. Bubble level located inside the electrical compartment for easily leveling at installation.

Rugged die-cast aluminum housing and door are polyester powder-coated for durability and corrosion resistance. Rigorous five-stage pre-treating and painting process yields a finish that achieves a scribe creepage rating of 7 (per ASTM D1654) after over 5000 hours exposure to salt fog chamber (operated per ASTM B117).

Mast arm mount is adjustable for arms from 1-1/4" to 2" (1-5/8" to 2-3/8" O.D.) diameter. Provides a 3G vibration rating per ANSI C136.31

Wildlife shield is cast into the housing (not a separate piece).

CONTROLS

NEMA 3 pin photocontrol receptacle is standard, with the Acuity designed ANSI standard 7 pin receptacle optionally available.

Premium solid state locking style photocontrol - PCSS (10 year rated life) Extreme long life solid state locking style photocontrol - PCLL (20 year rated life).

Optional onboard Adjustable Output module allows the light output and input wattage to be modified to meet site specific requirements, and also can allow a single fixture to be flexibly applied in many different applications.

Autobahn Series ATB0

Roadway Lighting

ORDERING INFORMATION

ATB0	HMLEd4 P3 40K HVOLT HGR AW PR7 SH ⁺		HIGH MAST
Series	Performance Packages	Voltage	Optics
ATB0 Autobahn LED Roadway	P201 5,369 lumens nominal ⁶ P202 6,943 lumens nominal ⁶ P203 10,056 lumens nominal P204 12,176 lumens nominal P205 13,767 lumens nominal P301 10,367 lumens nominal P302 12,185 lumens nominal P303 15,351 lumens nominal P304 17,714 lumens nominal P305 19,893 lumens nominal P451 16,320 lumens nominal P452 19,087 lumens nominal P453 23,592 lumens nominal P454 25,070 lumens nominal P455 27,091 lumens nominal P456 28,347 lumens nominal P457 29,715 lumens nominal	MVOLT Multi-volt, 120-277V 347 347V ⁵ 480 480V ⁵ XVOLT ⁷ 277V-480V	R2 Roadway Type II R3 Roadway Type III R4 ³ Roadway Type IV R5 Roadway Type V

P7 SH

Options	
---------	--

Color Temperature (CCT)

(Blank)	4000K CCT, 70 CRI Min.
27K	2700K CCT, 70 CRI Min.
3K	3000K CCT, 70 CRI Min.
5K	5000K CCT, 70 CRI Min.

Paint

(Blank)	Gray (Standard)
BK	Black
BZ	Bronze
DDB	Dark Bronze
GI	Graphite
WH	White
GN	Green

Surge Protection

(Blank)	Standard 20kV/10kA SPD ⁴
MP	MOV Pack 10kV/5kA

Terminal Block

(Blank)	Terminal Block (Standard)
T2	Wired to L1 & L2 Positions

Misc.

BL	External Bubble Level
HSS	House-Side Shield
NL	Nema Label
XL	Not CSA Certified
BAA	Buy America(n) Act Compliant

UMR-XX	8" Horizontal Arm for Round Pole, Painted to match Fixture
UMS-XX	8" Horizontal Arm for Square Pole, Painted to match Fixture
UMR-GALV	8" Horizontal Arm for Round Pole, Galvanized
UMS-GALV	8" Horizontal Arm for Square Pole, Galvanized

Controls

(Blank)	3 Pin NEMA Photocontrol Receptacle (Standard)
P7 ²	7 Pin Photocontrol Receptacle (Dimmable Driver Included)
NR	No Photocontrol Receptacle
AO	Field Adjustable Output
PCSS ¹	Solid State Lighting Photocontrol (120-277V)
PCLL	Solid State Long Life Photocontrol
SH	Shorting Cap

Packaging

(Blank)	Single Unit (Standard)
JP	Job Pack (42/Pallet)

Accessories:

House Side Shields	for field installation
ATBOP20XR2/R5HSS	for use with P201 - P205, R2 & R5 distributions
ATBOP20XR3/R4HSS	for use with P201 - P205, R3 & R4 distributions
ATBOP30XR2/R5HSS	for use with P301 - P305, R2 & R5 distributions
ATBOP30XR3HSS	for use with P301 - P305, R3 distribution
ATBOP30XR4HSS	for use with P301 - P305, R4 distribution
ATBOP45XR2/R5HSS	for use with P451 - P457, R2 & R5 distributions
ATBOP45XR3HSS	for use with P451 - P457, R3 distribution

Notes

- Not available in 347 or 480V.
- Not available with NR.
- Not available with P451 - P457 performance packages
- Not available with P201 performance package + 347V or 480V
- Not available with P456 or P457 performance package options
- Not available with XVOLT option
- XVOLT option only available with P452, P453 and P454 performance packages



AEL Headquarters, 3825 Columbus Road, Granville, OH 43023
 www.americanelectricleighting.com
 © 2014-2022 Acuity Brands Lighting, Inc. All Rights Reserved. ATB0 04/04/22

Warranty Five-year limited warranty. This is the only warranty provided and no other statements in this specification sheet create any warranty of any kind. All other express and implied warranties are disclaimed. Complete warranty terms located at: www.acuitybrands.com/resources/terms-and-conditions
 Actual performance may differ as a result of end-user environment and application. All values are design or typical values, measured under laboratory conditions at 25 °C. Specifications subject to change without notice.

Please contact your sales representative for the latest product information.

Autobahn Series ATB0

Roadway Lighting

PERFORMANCE PACKAGE								
ATB0	Distribution	Input Watts	2700K		3000K		4000K/5000K	
			Lumens	LPW	Lumens	LPW	Lumens	LPW
P201	R2	36	4,983	137	5,473	151	5,488	150
	R3		4,952	136	5,107	140	5,553	152
	R4		5,045	139	5,130	141	5,346	147
	R5		5,084	142	5,384	148	5,387	150
P202	R2	49	6,429	132	7,100	147	7,203	148
	R3		6,390	131	6,679	137	7,237	148
	R4		6,517	136	6,749	140	6,906	144
	R5		6,560	137	6,988	146	6,951	146
P203	R2	70	9,005	130	10,050	144	10,150	147
	R3		8,951	129	9,471	134	10,260	148
	R4		9,494	137	9,673	139	10,060	145
	R5		9,188	134	9,784	142	9,736	142
P204	R2	88	11,007	125	11,800	136	12,410	141
	R3		10,940	124	11,490	132	12,470	141
	R4		11,485	132	11,900	136	12,170	139
	R5		11,230	131	11,780	137	11,900	138
P205	R2	102	12,339	121	12,650	125	13,920	137
	R3		12,264	120	13,110	139	14,130	138
	R4		13,051	130	13,680	136	13,830	138
	R5		12,589	127	13,080	132	13,340	135
P301	R2	67	9,527	140	10,450	154	10,460	153
	R3		9,469	139	10,590	158	10,820	158
	R4		9,579	144	10,210	152	10,150	152
	R5		9,720	145	10,370	154	10,300	154
P302	R2	83	11,118	135	11,790	142	12,300	149
	R3		11,050	134	12,290	150	12,520	152
	R4		11,589	140	12,720	153	12,280	148
	R5		11,343	137	12,120	147	12,020	145
P303	R2	106	14,152	130	15,090	140	15,420	141
	R3		14,066	131	15,230	142	15,950	148
	R4		14,514	136	15,720	146	15,380	144
	R5		14,439	136	15,140	142	15,300	144
P304	R2	124	16,705	130	17,180	136	18,010	141
	R3		16,603	131	17,890	141	18,230	144
	R4		16,845	135	18,160	145	17,850	143
	R5		17,043	137	17,670	142	18,060	145
P305	R2	145	18,388	124	19,720	134	20,160	136
	R3		18,276	124	20,070	135	20,440	138
	R4		18,695	129	20,050	138	19,810	137
	R5		18,761	130	19,350	135	19,880	138



AEL Headquarters, 3825 Columbus Road, Granville, OH 43023
 www.americanelectricalighting.com
 © 2014-2022 Acuity Brands Lighting, Inc. All Rights Reserved. ATB0 04/04/22

Warranty Five-year limited warranty. This is the only warranty provided and no other statements in this specification sheet create any warranty of any kind. All other express and implied warranties are disclaimed. Complete warranty terms located at: www.acuitybrands.com/resources/terms-and-conditions
 Actual performance may differ as a result of end-user environment and application. All values are design or typical values, measured under laboratory conditions at 25 °C. Specifications subject to change without notice.
Please contact your sales representative for the latest product information.

Autobahn Series ATB0

Roadway Lighting

PERFORMANCE PACKAGE								
ATB0	Distribution	Input Watts	2700K		3000K		4000K/5000K	
			Lumens	LPW	Lumens	LPW	Lumens	LPW
P451	R2	105	14,827	138	15,760	148	16,570	154
	R3		14,737	137	16,790	157	16,640	155
	R5		15,128	144	17,150	162	16,030	153
P452	R2	125	18,277	146	18,270	147	19,370	155
	R3		18,166	146	19,420	151	19,470	156
	R5		18,648	148	19,140	151	19,760	157
P453	R2	159	22,227	139	22,570	143	23,900	150
	R3		22,092	139	24,090	151	23,550	148
	R5		22,677	141	23,920	148	24,030	149
P454	R2	170	24,585	144	23,580	139	25,060	147
	R3		24,436	143	25,340	148	25,200	148
	R5		25,084	147	25,360	148	26,580	156
P455	R2	187	25,732	138	25,270	136	26,750	143
	R3		25,576	137	27,430	145	27,020	145
	R5		26,254	143	27,730	149	27,820	152
P456	R2	203	27,277	135	26,560	132	28,230	139
	R3		27,111	134	28,600	142	28,950	143
	R5		27,830	143	28,740	146	29,490	151
P457	R2	211	27,656	131	27,270	130	28,900	137
	R3		27,488	130	29,750	142	29,680	140
	R5		28,217	137	29,790	146	29,900	145

Note: Individual fixture performance may vary.

ATB0	15C	20C	25C	30C	35C	40C
LLD Multiplier	1.02	1.01	1.00	0.99	0.98	0.97

To calculate the LLD for a temperature other than 25°C, multiply the LLD @ 25°C (shown in the performance package table) by the LLD multiplier for the selected temperature.



AEL Headquarters, 3825 Columbus Road, Granville, OH 43023
 www.americanelectriclighting.com
 © 2014-2022 Acuity Brands Lighting, Inc. All Rights Reserved. ATB0 04/04/22

Warranty Five-year limited warranty. This is the only warranty provided and no other statements in this specification sheet create any warranty of any kind. All other express and implied warranties are disclaimed. Complete warranty terms located at: www.acuitybrands.com/resources/terms-and-conditions
 Actual performance may differ as a result of end-user environment and application. All values are design or typical values, measured under laboratory conditions at 25 °C. Specifications subject to change without notice.
Please contact your sales representative for the latest product information.

Autobahn Series ATB0

Roadway Lighting

PERFORMANCE PACKAGE

LLD @ 25°C

ATB0	R2, R3 Distributions 3000K & 4000K CCT			R2, R3 Distributions 2700K & 5000K CCT*			R4 & R5 Distributions Any CCT		
	50k Hours	75k Hours	100k Hours	50k Hours	75k Hours	100k Hours	50k Hours	75k Hours	100k Hours
P201	0.96	0.95	0.94	0.92	0.88	0.85	0.92	0.88	0.85
P202	0.96	0.95	0.94	0.92	0.88	0.85	0.92	0.88	0.85
P203	0.96	0.95	0.93	0.91	0.88	0.85	0.91	0.88	0.85
P204	0.96	0.95	0.93	0.91	0.88	0.84	0.91	0.88	0.84
P205	0.96	0.95	0.93	0.91	0.87	0.83	0.91	0.87	0.83
P301	0.96	0.95	0.93	0.92	0.88	0.85	0.92	0.88	0.85
P302	0.96	0.95	0.93	0.92	0.88	0.85	0.92	0.88	0.85
P303	0.96	0.95	0.93	0.92	0.88	0.84	0.92	0.88	0.84
P304	0.96	0.95	0.93	0.91	0.87	0.83	0.91	0.87	0.83
P305	0.96	0.95	0.93	0.9	0.86	0.82	0.9	0.86	0.82
P451	0.96	0.94	0.93	0.92	0.88	0.85	0.92	0.88	0.85
P452	0.96	0.94	0.93	0.91	0.88	0.84	0.91	0.88	0.84
P453	0.96	0.94	0.93	0.91	0.87	0.83	0.91	0.87	0.83
P454	0.96	0.94	0.93	0.9	0.86	0.82	0.9	0.86	0.82
P455	0.96	0.94	0.93	0.9	0.85	0.81	0.9	0.85	0.81
P456	0.94	0.93	0.91	0.89	0.84	0.79	0.89	0.84	0.79
P457	0.94	0.93	0.91	0.88	0.83	0.79	0.88	0.83	0.79

* Also includes any custom (non-catalog) CCT



AEL Headquarters, 3825 Columbus Road, Granville, OH 43023
 www.americanelectricalighting.com
 © 2014-2022 Acuity Brands Lighting, Inc. All Rights Reserved. ATB0 04/04/22

Warranty Five-year limited warranty. This is the only warranty provided and no other statements in this specification sheet create any warranty of any kind. All other express and implied warranties are disclaimed. Complete warranty terms located at: www.acuitybrands.com/resources/terms-and-conditions
 Actual performance may differ as a result of end-user environment and application. All values are design or typical values, measured under laboratory conditions at 25 °C. Specifications subject to change without notice.
Please contact your sales representative for the latest product information.

Autobahn Series ATB0

Roadway Lighting

B.U.G. Ratings										
ATB0	Distribution	2700K			3000K			4000/5000K		
		B	U	G	B	U	G	B	U	G
P201	R2	1	0	1	2	0	2	2	0	2
	R3	1	0	1	1	0	1	1	0	1
	R4	1	0	2	1	0	2	1	0	2
	R5	3	0	1	3	0	1	3	0	1
P202	R2	2	0	2	2	0	2	2	0	2
	R3	1	0	2	1	0	2	1	0	2
	R4	1	0	2	1	0	2	1	0	2
	R5	3	0	1	3	0	2	3	0	2
P203	R2	2	0	2	2	0	2	2	0	2
	R3	2	0	2	2	0	2	2	0	2
	R4	2	0	3	2	0	3	2	0	3
	R5	3	0	2	4	0	2	4	0	2
P204	R2	3	0	3	3	0	3	3	0	3
	R3	2	0	2	2	0	2	2	0	2
	R4	2	0	3	2	0	3	2	0	3
	R5	4	0	2	4	0	2	4	0	2
P205	R2	3	0	3	3	0	3	3	0	3
	R3	2	0	2	2	0	2	2	0	2
	R4	2	0	3	2	0	3	2	0	3
	R5	4	0	2	4	0	2	4	0	2
P301	R2	2	0	2	2	0	2	2	0	2
	R3	2	0	2	2	0	2	2	0	2
	R4	2	0	3	2	0	3	2	0	3
	R5	4	0	2	4	0	2	4	0	2
P302	R2	3	0	3	3	0	3	3	0	3
	R3	2	0	2	2	0	2	2	0	2
	R4	2	0	3	2	0	3	2	0	3
	R5	4	0	2	4	0	2	4	0	2
P303	R2	3	0	3	3	0	3	3	0	3
	R3	2	0	2	2	0	3	2	0	3
	R4	2	0	3	3	0	3	3	0	3
	R5	4	0	2	4	0	2	4	0	2
P304	R2	3	0	3	3	0	3	3	0	3
	R3	2	0	3	3	0	3	3	0	3
	R4	3	0	3	3	0	4	3	0	3
	R5	4	0	2	4	0	2	4	0	2
P305	R2	3	0	3	3	0	3	3	0	3
	R3	3	0	3	3	0	3	3	0	3
	R4	3	0	4	3	0	4	3	0	4
	R5	5	0	3	5	0	3	5	0	3



AEL Headquarters, 3825 Columbus Road, Granville, OH 43023
 www.americanelectricalighting.com
 © 2014-2022 Acuity Brands Lighting, Inc. All Rights Reserved. ATB0 04/04/22

Warranty Five-year limited warranty. This is the only warranty provided and no other statements in this specification sheet create any warranty of any kind. All other express and implied warranties are disclaimed. Complete warranty terms located at: www.acuitybrands.com/resources/terms-and-conditions
 Actual performance may differ as a result of end-user environment and application. All values are design or typical values, measured under laboratory conditions at 25 °C. Specifications subject to change without notice.
Please contact your sales representative for the latest product information.

Autobahn Series ATB0

Roadway Lighting

B.U.G. Ratings										
ATB0	Distribution	2700K			3000K			4000/5000K		
		B	U	G	B	U	G	B	U	G
P451	R2	3	0	3	3	0	3	3	0	3
	R3	2	0	2	2	0	3	2	0	3
	R5	4	0	2	4	0	2	4	0	2
P452	R2	3	0	3	3	0	3	3	0	3
	R3	3	0	3	3	0	3	3	0	3
	R5	5	0	3	5	0	3	5	0	3
P453	R2	3	0	3	3	0	3	3	0	3
	R3	3	0	3	3	0	3	3	0	3
	R5	5	0	3	5	0	3	5	0	3
P454	R2	3	0	3	3	0	3	3	0	3
	R3	3	0	3	3	0	3	3	0	3
	R5	5	0	3	5	0	3	5	0	3
P455	R2	3	0	3	3	0	3	3	0	3
	R3	3	0	3	3	0	4	3	0	4
	R5	5	0	3	5	0	3	5	0	3
P456	R2	4	0	4	3	0	3	4	0	4
	R3	3	0	4	3	0	4	3	0	4
	R5	5	0	3	5	0	4	5	0	4
P457	R2	4	0	4	4	0	4	4	0	4
	R3	3	0	4	3	0	4	3	0	4
	R5	5	0	4	5	0	4	5	0	4



AEL Headquarters, 3825 Columbus Road, Granville, OH 43023
 www.americanelectriclighting.com
 © 2014-2022 Acuity Brands Lighting, Inc. All Rights Reserved. ATB0 04/04/22

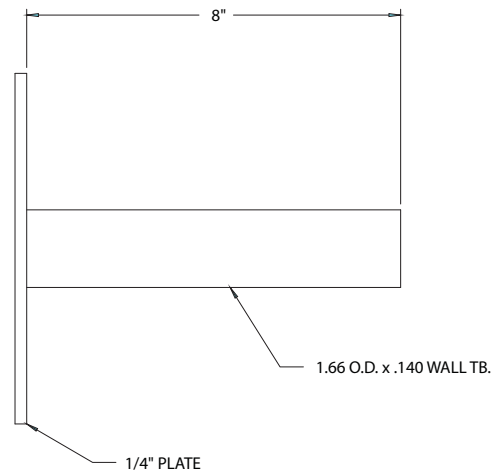
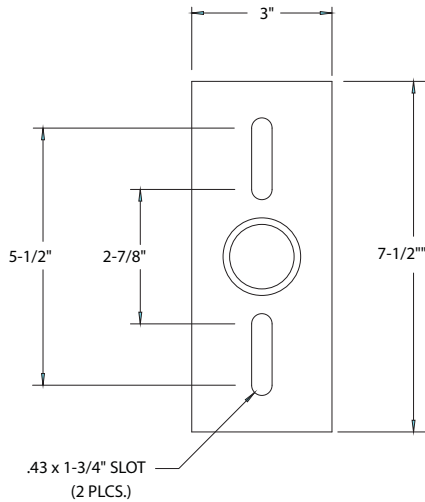
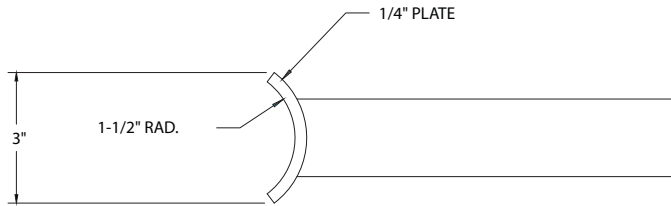
Warranty Five-year limited warranty. This is the only warranty provided and no other statements in this specification sheet create any warranty of any kind. All other express and implied warranties are disclaimed. Complete warranty terms located at: www.acuitybrands.com/resources/terms-and-conditions
 Actual performance may differ as a result of end-user environment and application. All values are design or typical values, measured under laboratory conditions at 25 °C. Specifications subject to change without notice.
Please contact your sales representative for the latest product information.

Autobahn Series ATB0

Roadway Lighting

UMR POLE ADAPTOR

RECOMMENDED FOR USE WITH POLES OF 4" DIAMETER OR SMALLER



UMS POLE ADAPTOR



AEL Headquarters, 3825 Columbus Road, Granville, OH 43023
www.americanelectriclighting.com
© 2014-2022 Acuity Brands Lighting, Inc. All Rights Reserved. ATB0 04/04/22

Warranty Five-year limited warranty. This is the only warranty provided and no other statements in this specification sheet create any warranty of any kind. All other express and implied warranties are disclaimed. Complete warranty terms located at: www.acuitybrands.com/resources/terms-and-conditions
Actual performance may differ as a result of end-user environment and application. All values are design or typical values, measured under laboratory conditions at 25 °C. Specifications subject to change without notice.
Please contact your sales representative for the latest product information.



Consistent with LEED® goals & Green Globes™ criteria for light pollution reduction



Autobahn Series ATB0 Roadway Lighting

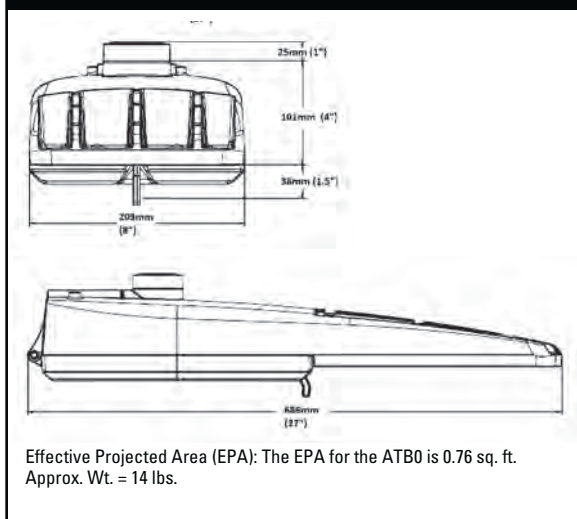
PRODUCT OVERVIEW



Applications:

- Roadways
- Off ramps
- Residential streets
- Parking lots

DIMENSIONS



STANDARDS

DesignLights Consortium® (DLC) qualified product. Not all versions of this product may be DLC qualified. Please check the DLC Qualified Products List at www.designlights.org/QPL to confirm which versions are qualified.

Color temperatures of $\leq 3000\text{K}$ must be specified for International Dark-Sky Association certification.

Rated for -40°C to 40°C ambient

CSA Certified to U.S. and Canadian standards

Complies with ANSI: C136.2, C136.10, C136.14, C136.31, C136.15, C136.37

BUY AMERICAN — Product with the BAA option is assembled in the USA and meets the Buy America(n) government procurement requirements under FAR, DFARS and DOT. Please refer to www.acuitybrands.com/buy-american for additional information.

Note: Specifications subject to change without notice. Actual performance may differ as a result of end-user environment and application.

Features:

OPTICAL

The Autobahn's new molded silicone optics provide exceptional performance. Silicone optics are superior to other polymeric materials in the areas of; optical efficiency, thermal performance, and reduction in dirt accumulation, all of which can lead to long term lumen degradation and a shift in optical distribution. Also, because silicone allows for the molding of fine details as well as thick sections, it produces the most crisp, clean and well-defined lighting distributions available. Silicone optics paired with modern LED's allow the Autobahn to take full advantage of both technologies.

Same Light: Performance is comparable to 100 - 400W HPS roadway luminaires.

White Light: Correlated color temperature - 4000K, or optional 2700K, 3000K or 5000K, all 70 CRI minimum.

Unique IP66 rated LED light engines provided 0% uplight and restrict backlight to within sidewalk depth, providing optimal application coverage and optimal pole spacing. Available in Type II, III, IV, and V roadway distributions.

ELECTRICAL

Expected Life: LED light engines are rated $>100,000$ hours at 25°C , L70. Electronic driver has an expected life of 100,000 hours at a 25°C ambient.

Lower Energy: Saves an expected of 40-60% over comparable HID luminaires.

Robust Surge Protection: Two different surge protection options provide a minimum of ANSI C136.2 10kV/5kA protection. 20kV/10kA protection is also available.

Luminaire ships with a 0-10v dimmable driver. Luminaire is continuous and step dimming capable via AO option or controls installed on P7 photocontrol receptacle option.

MECHANICAL

Includes standard AEL lineman-friendly features such as tool-less entry, 3 station terminal block and quick disconnects. Bubble level located inside the electrical compartment for easily leveling at installation.

Rugged die-cast aluminum housing and door are polyester powder-coated for durability and corrosion resistance. Rigorous five-stage pre-treating and painting process yields a finish that achieves a scribe creepage rating of 7 (per ASTM D1654) after over 5000 hours exposure to salt fog chamber (operated per ASTM B117).

Mast arm mount is adjustable for arms from 1-1/4" to 2" (1-5/8" to 2-3/8" O.D.) diameter. Provides a 3G vibration rating per ANSI C136.31

Wildlife shield is cast into the housing (not a separate piece).

CONTROLS

NEMA 3 pin photocontrol receptacle is standard, with the Acuity designed ANSI standard 7 pin receptacle optionally available.

Premium solid state locking style photocontrol - PCSS (10 year rated life) Extreme long life solid state locking style photocontrol - PCLL (20 year rated life).

Optional onboard Adjustable Output module allows the light output and input wattage to be modified to meet site specific requirements, and also can allow a single fixture to be flexibly applied in many different applications.

Autobahn Series ATB0

Roadway Lighting

ORDERING INFORMATION

ATB0	HMLEd4 P3 40K HVOLT HGR AW PR7 SH ⁺		HIGH MAST
Series	Performance Packages	Voltage	Optics
ATB0 Autobahn LED Roadway	P201 5,369 lumens nominal ⁶ P202 6,943 lumens nominal ⁶ P203 10,056 lumens nominal P204 12,176 lumens nominal P205 13,767 lumens nominal P301 10,367 lumens nominal P302 12,185 lumens nominal P303 15,351 lumens nominal P304 17,714 lumens nominal P305 19,893 lumens nominal P451 16,320 lumens nominal P452 19,087 lumens nominal P453 23,592 lumens nominal P454 25,070 lumens nominal P455 27,091 lumens nominal P456 28,347 lumens nominal P457 29,715 lumens nominal	MVOLT Multi-volt, 120-277V 347 347V ⁵ 480 480V ⁵ XVOLT ⁷ 277V-480V	R2 Roadway Type II R3 Roadway Type III R4 ³ Roadway Type IV R5 Roadway Type V

P7 SH

Options			
<u>Color Temperature (CCT)</u> (Blank) 4000K CCT, 70 CRI Min. 27K 2700K CCT, 70 CRI Min. 3K 3000K CCT, 70 CRI Min. 5K 5000K CCT, 70 CRI Min.	UMR-XX 8" Horizontal Arm for Round Pole, Painted to match Fixture UMS-XX 8" Horizontal Arm for Square Pole, Painted to match Fixture UMR-GALV 8" Horizontal Arm for Round Pole, Galvanized UMS-GALV 8" Horizontal Arm for Square Pole, Galvanized	<u>Accessories:</u> House Side Shields for field installation ATBOP20XR2/R5HSS for use with P201 - P205, R2 & R5 distributions ATBOP20XR3/R4HSS for use with P201 - P205, R3 & R4 distributions ATBOP30XR2/R5HSS for use with P301 - P305, R2 & R5 distributions ATBOP30XR3HSS for use with P301 - P305, R3 distribution ATBOP30XR4HSS for use with P301 - P305, R4 distribution ATBOP45XR2/R5HSS for use with P451 - P457, R2 & R5 distributions ATBOP45XR3HSS for use with P451 - P457, R3 distribution	
<u>Paint</u> (Blank) Gray (Standard) BK Black BZ Bronze DDB Dark Bronze GI Graphite WH White GN Green	<u>Controls</u> (Blank) 3 Pin NEMA Photocontrol Receptacle (Standard) P7 ² 7 Pin Photocontrol Receptacle (Dimmable Driver Included) NR No Photocontrol Receptacle AO Field Adjustable Output PCSS ¹ Solid State Lighting Photocontrol (120-277V) PCLL Solid State Long Life Photocontrol SH Shorting Cap	Notes 1 Not available in 347 or 480V. 2 Not available with NR. 3 Not available with P451 - P457 performance packages 4 Not available with P201 performance package + 347V or 480V 5 Not available with P456 or P457 performance package options 6 Not available with XVOLT option 7 XVOLT option only available with P452, P453 and P454 performance packages	
<u>Surge Protection</u> (Blank) Standard 20kV/10kA SPD ⁴ MP MOV Pack 10kV/5kA	<u>Packaging</u> (Blank) Single Unit (Standard) JP Job Pack (42/Pallet)		
<u>Terminal Block</u> (Blank) Terminal Block (Standard) T2 Wired to L1 & L2 Positions			
<u>Misc.</u> BL External Bubble Level HSS House-Side Shield NL Nema Label XL Not CSA Certified BAA Buy America(n) Act Compliant			



AEL Headquarters, 3825 Columbus Road, Granville, OH 43023
 www.americanelectricalighting.com
 © 2014-2022 Acuity Brands Lighting, Inc. All Rights Reserved. ATB0 04/04/22

Warranty Five-year limited warranty. This is the only warranty provided and no other statements in this specification sheet create any warranty of any kind. All other express and implied warranties are disclaimed. Complete warranty terms located at: www.acuitybrands.com/resources/terms-and-conditions
 Actual performance may differ as a result of end-user environment and application. All values are design or typical values, measured under laboratory conditions at 25 °C. Specifications subject to change without notice.
Please contact your sales representative for the latest product information.

Autobahn Series ATB0

Roadway Lighting

PERFORMANCE PACKAGE								
ATB0	Distribution	Input Watts	2700K		3000K		4000K/5000K	
			Lumens	LPW	Lumens	LPW	Lumens	LPW
P201	R2	36	4,983	137	5,473	151	5,488	150
	R3		4,952	136	5,107	140	5,553	152
	R4		5,045	139	5,130	141	5,346	147
	R5		5,084	142	5,384	148	5,387	150
P202	R2	49	6,429	132	7,100	147	7,203	148
	R3		6,390	131	6,679	137	7,237	148
	R4		6,517	136	6,749	140	6,906	144
	R5		6,560	137	6,988	146	6,951	146
P203	R2	70	9,005	130	10,050	144	10,150	147
	R3		8,951	129	9,471	134	10,260	148
	R4		9,494	137	9,673	139	10,060	145
	R5		9,188	134	9,784	142	9,736	142
P204	R2	88	11,007	125	11,800	136	12,410	141
	R3		10,940	124	11,490	132	12,470	141
	R4		11,485	132	11,900	136	12,170	139
	R5		11,230	131	11,780	137	11,900	138
P205	R2	102	12,339	121	12,650	125	13,920	137
	R3		12,264	120	13,110	139	14,130	138
	R4		13,051	130	13,680	136	13,830	138
	R5		12,589	127	13,080	132	13,340	135
P301	R2	67	9,527	140	10,450	154	10,460	153
	R3		9,469	139	10,590	158	10,820	158
	R4		9,579	144	10,210	152	10,150	152
	R5		9,720	145	10,370	154	10,300	154
P302	R2	83	11,118	135	11,790	142	12,300	149
	R3		11,050	134	12,290	150	12,520	152
	R4		11,589	140	12,720	153	12,280	148
	R5		11,343	137	12,120	147	12,020	145
P303	R2	106	14,152	130	15,090	140	15,420	141
	R3		14,066	131	15,230	142	15,950	148
	R4		14,514	136	15,720	146	15,380	144
	R5		14,439	136	15,140	142	15,300	144
P304	R2	124	16,705	130	17,180	136	18,010	141
	R3		16,603	131	17,890	141	18,230	144
	R4		16,845	135	18,160	145	17,850	143
	R5		17,043	137	17,670	142	18,060	145
P305	R2	145	18,388	124	19,720	134	20,160	136
	R3		18,276	124	20,070	135	20,440	138
	R4		18,695	129	20,050	138	19,810	137
	R5		18,761	130	19,350	135	19,880	138



AEL Headquarters, 3825 Columbus Road, Granville, OH 43023
 www.americanelectricalighting.com
 © 2014-2022 Acuity Brands Lighting, Inc. All Rights Reserved. ATB0 04/04/22

Warranty Five-year limited warranty. This is the only warranty provided and no other statements in this specification sheet create any warranty of any kind. All other express and implied warranties are disclaimed. Complete warranty terms located at: www.acuitybrands.com/resources/terms-and-conditions
 Actual performance may differ as a result of end-user environment and application. All values are design or typical values, measured under laboratory conditions at 25 °C. Specifications subject to change without notice.
Please contact your sales representative for the latest product information.

Autobahn Series ATB0

Roadway Lighting

PERFORMANCE PACKAGE								
ATB0	Distribution	Input Watts	2700K		3000K		4000K/5000K	
			Lumens	LPW	Lumens	LPW	Lumens	LPW
P451	R2	105	14,827	138	15,760	148	16,570	154
	R3		14,737	137	16,790	157	16,640	155
	R5		15,128	144	17,150	162	16,030	153
P452	R2	125	18,277	146	18,270	147	19,370	155
	R3		18,166	146	19,420	151	19,470	156
	R5		18,648	148	19,140	151	19,760	157
P453	R2	159	22,227	139	22,570	143	23,900	150
	R3		22,092	139	24,090	151	23,550	148
	R5		22,677	141	23,920	148	24,030	149
P454	R2	170	24,585	144	23,580	139	25,060	147
	R3		24,436	143	25,340	148	25,200	148
	R5		25,084	147	25,360	148	26,580	156
P455	R2	187	25,732	138	25,270	136	26,750	143
	R3		25,576	137	27,430	145	27,020	145
	R5		26,254	143	27,730	149	27,820	152
P456	R2	203	27,277	135	26,560	132	28,230	139
	R3		27,111	134	28,600	142	28,950	143
	R5		27,830	143	28,740	146	29,490	151
P457	R2	211	27,656	131	27,270	130	28,900	137
	R3		27,488	130	29,750	142	29,680	140
	R5		28,217	137	29,790	146	29,900	145

Note: Individual fixture performance may vary.

ATB0	15C	20C	25C	30C	35C	40C
LLD Multiplier	1.02	1.01	1.00	0.99	0.98	0.97

To calculate the LLD for a temperature other than 25°C, multiply the LLD @ 25°C (shown in the performance package table) by the LLD multiplier for the selected temperature.



AEL Headquarters, 3825 Columbus Road, Granville, OH 43023
 www.americanelectriclighting.com
 © 2014-2022 Acuity Brands Lighting, Inc. All Rights Reserved. ATB0 04/04/22

Warranty Five-year limited warranty. This is the only warranty provided and no other statements in this specification sheet create any warranty of any kind. All other express and implied warranties are disclaimed. Complete warranty terms located at: www.acuitybrands.com/resources/terms-and-conditions
 Actual performance may differ as a result of end-user environment and application. All values are design or typical values, measured under laboratory conditions at 25 °C. Specifications subject to change without notice.
Please contact your sales representative for the latest product information.

Autobahn Series ATB0

Roadway Lighting

PERFORMANCE PACKAGE

LLD @ 25°C

ATB0	R2, R3 Distributions 3000K & 4000K CCT			R2, R3 Distributions 2700K & 5000K CCT*			R4 & R5 Distributions Any CCT		
	50k Hours	75k Hours	100k Hours	50k Hours	75k Hours	100k Hours	50k Hours	75k Hours	100k Hours
P201	0.96	0.95	0.94	0.92	0.88	0.85	0.92	0.88	0.85
P202	0.96	0.95	0.94	0.92	0.88	0.85	0.92	0.88	0.85
P203	0.96	0.95	0.93	0.91	0.88	0.85	0.91	0.88	0.85
P204	0.96	0.95	0.93	0.91	0.88	0.84	0.91	0.88	0.84
P205	0.96	0.95	0.93	0.91	0.87	0.83	0.91	0.87	0.83
P301	0.96	0.95	0.93	0.92	0.88	0.85	0.92	0.88	0.85
P302	0.96	0.95	0.93	0.92	0.88	0.85	0.92	0.88	0.85
P303	0.96	0.95	0.93	0.92	0.88	0.84	0.92	0.88	0.84
P304	0.96	0.95	0.93	0.91	0.87	0.83	0.91	0.87	0.83
P305	0.96	0.95	0.93	0.9	0.86	0.82	0.9	0.86	0.82
P451	0.96	0.94	0.93	0.92	0.88	0.85	0.92	0.88	0.85
P452	0.96	0.94	0.93	0.91	0.88	0.84	0.91	0.88	0.84
P453	0.96	0.94	0.93	0.91	0.87	0.83	0.91	0.87	0.83
P454	0.96	0.94	0.93	0.9	0.86	0.82	0.9	0.86	0.82
P455	0.96	0.94	0.93	0.9	0.85	0.81	0.9	0.85	0.81
P456	0.94	0.93	0.91	0.89	0.84	0.79	0.89	0.84	0.79
P457	0.94	0.93	0.91	0.88	0.83	0.79	0.88	0.83	0.79

* Also includes any custom (non-catalog) CCT



AEL Headquarters, 3825 Columbus Road, Granville, OH 43023
 www.americanelectricalighting.com
 © 2014-2022 Acuity Brands Lighting, Inc. All Rights Reserved. ATB0 04/04/22

Warranty Five-year limited warranty. This is the only warranty provided and no other statements in this specification sheet create any warranty of any kind. All other express and implied warranties are disclaimed. Complete warranty terms located at: www.acuitybrands.com/resources/terms-and-conditions
 Actual performance may differ as a result of end-user environment and application. All values are design or typical values, measured under laboratory conditions at 25 °C. Specifications subject to change without notice.
Please contact your sales representative for the latest product information.

Autobahn Series ATB0

Roadway Lighting

B.U.G. Ratings										
ATB0	Distribution	2700K			3000K			4000/5000K		
		B	U	G	B	U	G	B	U	G
P201	R2	1	0	1	2	0	2	2	0	2
	R3	1	0	1	1	0	1	1	0	1
	R4	1	0	2	1	0	2	1	0	2
	R5	3	0	1	3	0	1	3	0	1
P202	R2	2	0	2	2	0	2	2	0	2
	R3	1	0	2	1	0	2	1	0	2
	R4	1	0	2	1	0	2	1	0	2
	R5	3	0	1	3	0	2	3	0	2
P203	R2	2	0	2	2	0	2	2	0	2
	R3	2	0	2	2	0	2	2	0	2
	R4	2	0	3	2	0	3	2	0	3
	R5	3	0	2	4	0	2	4	0	2
P204	R2	3	0	3	3	0	3	3	0	3
	R3	2	0	2	2	0	2	2	0	2
	R4	2	0	3	2	0	3	2	0	3
	R5	4	0	2	4	0	2	4	0	2
P205	R2	3	0	3	3	0	3	3	0	3
	R3	2	0	2	2	0	2	2	0	2
	R4	2	0	3	2	0	3	2	0	3
	R5	4	0	2	4	0	2	4	0	2
P301	R2	2	0	2	2	0	2	2	0	2
	R3	2	0	2	2	0	2	2	0	2
	R4	2	0	3	2	0	3	2	0	3
	R5	4	0	2	4	0	2	4	0	2
P302	R2	3	0	3	3	0	3	3	0	3
	R3	2	0	2	2	0	2	2	0	2
	R4	2	0	3	2	0	3	2	0	3
	R5	4	0	2	4	0	2	4	0	2
P303	R2	3	0	3	3	0	3	3	0	3
	R3	2	0	2	2	0	3	2	0	3
	R4	2	0	3	3	0	3	3	0	3
	R5	4	0	2	4	0	2	4	0	2
P304	R2	3	0	3	3	0	3	3	0	3
	R3	2	0	3	3	0	3	3	0	3
	R4	3	0	3	3	0	4	3	0	3
	R5	4	0	2	4	0	2	4	0	2
P305	R2	3	0	3	3	0	3	3	0	3
	R3	3	0	3	3	0	3	3	0	3
	R4	3	0	4	3	0	4	3	0	4
	R5	5	0	3	5	0	3	5	0	3



AEL Headquarters, 3825 Columbus Road, Granville, OH 43023
 www.americanelectricalighting.com
 © 2014-2022 Acuity Brands Lighting, Inc. All Rights Reserved. ATB0 04/04/22

Warranty Five-year limited warranty. This is the only warranty provided and no other statements in this specification sheet create any warranty of any kind. All other express and implied warranties are disclaimed. Complete warranty terms located at: www.acuitybrands.com/resources/terms-and-conditions
 Actual performance may differ as a result of end-user environment and application. All values are design or typical values, measured under laboratory conditions at 25 °C. Specifications subject to change without notice.
Please contact your sales representative for the latest product information.

Autobahn Series ATB0

Roadway Lighting

B.U.G. Ratings										
ATB0	Distribution	2700K			3000K			4000/5000K		
		B	U	G	B	U	G	B	U	G
P451	R2	3	0	3	3	0	3	3	0	3
	R3	2	0	2	2	0	3	2	0	3
	R5	4	0	2	4	0	2	4	0	2
P452	R2	3	0	3	3	0	3	3	0	3
	R3	3	0	3	3	0	3	3	0	3
	R5	5	0	3	5	0	3	5	0	3
P453	R2	3	0	3	3	0	3	3	0	3
	R3	3	0	3	3	0	3	3	0	3
	R5	5	0	3	5	0	3	5	0	3
P454	R2	3	0	3	3	0	3	3	0	3
	R3	3	0	3	3	0	3	3	0	3
	R5	5	0	3	5	0	3	5	0	3
P455	R2	3	0	3	3	0	3	3	0	3
	R3	3	0	3	3	0	4	3	0	4
	R5	5	0	3	5	0	3	5	0	3
P456	R2	4	0	4	3	0	3	4	0	4
	R3	3	0	4	3	0	4	3	0	4
	R5	5	0	3	5	0	4	5	0	4
P457	R2	4	0	4	4	0	4	4	0	4
	R3	3	0	4	3	0	4	3	0	4
	R5	5	0	4	5	0	4	5	0	4

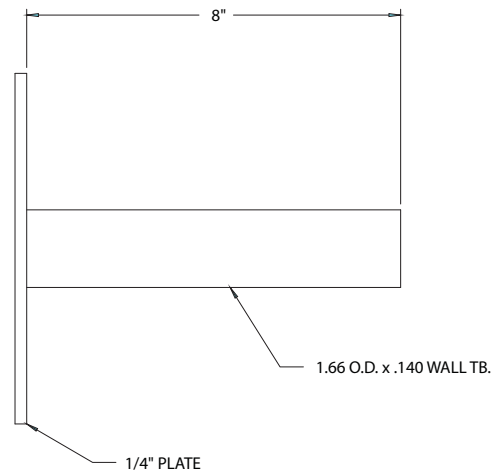
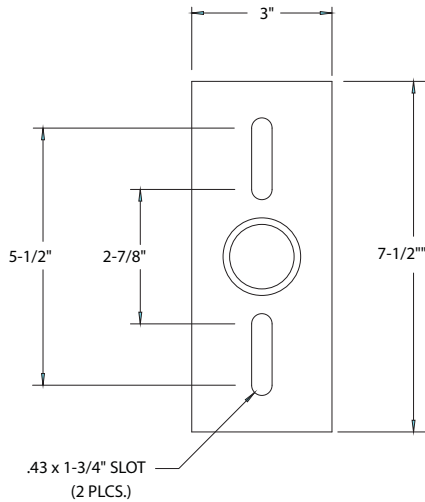
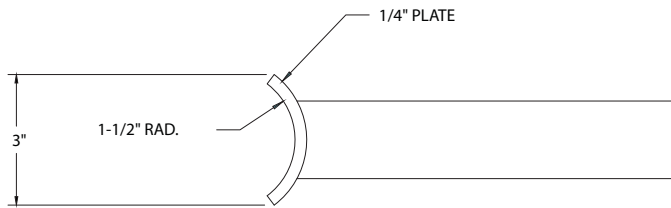


Autobahn Series ATB0

Roadway Lighting

UMR POLE ADAPTOR

RECOMMENDED FOR USE WITH POLES OF 4" DIAMETER OR SMALLER



UMS POLE ADAPTOR



AEL Headquarters, 3825 Columbus Road, Granville, OH 43023
www.americanelectriclighting.com
© 2014-2022 Acuity Brands Lighting, Inc. All Rights Reserved. ATB0 04/04/22

Warranty Five-year limited warranty. This is the only warranty provided and no other statements in this specification sheet create any warranty of any kind. All other express and implied warranties are disclaimed. Complete warranty terms located at: www.acuitybrands.com/resources/terms-and-conditions
Actual performance may differ as a result of end-user environment and application. All values are design or typical values, measured under laboratory conditions at 25 °C. Specifications subject to change without notice.
Please contact your sales representative for the latest product information.

Catalog Number	HMLED4 P3 40K HVOLT HGR AW PR7 SH	
Notes		Type HIGH MAST

MGLEDM

Mongoose Medium LED



The Mongoose Medium LED offset roadway and area lighting product provides significant energy and maintenance savings vs. HID luminaires. It offers the ultimate in application flexibility with a uniquely designed advanced optical system and attractive appearance. This combined with multiple lighting distributions, mounting options and the ability to tilt the fixture offers unequal performance in a diverse set of applications ranging from interstates and parking lots.

Mechanical

- Rugged grade A360 diecast aluminum (<1% copper)
- Tool-less access with stainless steel latches
- Terminal block in arm
- Rigorous 5-stage pretreatment polyester topcoat to ensure maximum durability that achieves a scribe creepage rating of 8 after 5,000 hours of salt spray
- Removable "power tray" facilitates maintenance
- Corrosion resistant stainless-steel latches ensure secure closure over the long fixture life
- Horizontal mast arms or vertical tenon (VH) and universal mounting to round and square poles (UN) options
- Universal mount mates to all major manufacturer's hole patterns
- All Mountings are 3G vibration rated per ANSI C136.31
- Adjustable fixture tilt from 0-45 degrees provides flexibility to optimize lighting performance

Electrical

- Standard surge protection is 20kV/10kA "Extreme Level" per ANSI C136.2
- LED light engines are rated > 100,000 at 25°C, L70
- Electronic driver has an expected life of > 100,000 hours at 25°C
- Rated for -40°C / (-40°F) minimum ambient
- Programmable electronic driver with 0-10V control leads
- Driver voltage options: 120-277V 50/60 Hz and 347 50/60 Hz and 480V 50/60 Hz
- Luminaire ships with a 0-10v dimmable driver. Luminaire is continuous and step dimming capable via AO option or controls installed on P7 photocontrol receptacle option.

Optical

- Performance is comparable to 150-400 watt HPS or 175-1,000 watt MH
- IP66 rated borosilicate glass optics ensure longevity and minimize dirt depreciation
- IP66 rated optics

- Molded Silicone optics: Area (Type 5) (AR), Forward Throw (FT), Medium Roadway (MR), Narrow Roadway (NR) and Wide Roadway (WR)
- Borosilicate glass refractor optics: Area (AG), Forward Throw (FG), Medium Roadway (MG), Narrow Roadway (NG) and Wide Roadway (WG)
- 3000K, 4000K and 5000K CCT, 70 CRI
- Optional Uplight Skirt (US) when used with refractor ensures zero uplight above 90°
- House side shield (HSS), light trespass shield and option available
- Wire guard kit option available

Controls

- 7 pin NEMA photocontrol receptacle
- Premium solid-state locking-style photocontrol (PCSS) – 10 year rated life
- Extreme long life solid state locking-style photocontrol (PCLL) – 20 year rated life
- Field adjustable output
- nLight Air motion and daylight sensor
- Programmable motion and daylight sensor

Certification & Standards

- CSA Certified to US and Canadian standards
- Suitable for operation in an ambient temperature up to 40°C / 104°F for standard product
- Designlights Consortium® (DLC) qualified product. Not all versions of this product may be DLC qualified. Please check the DLC Qualified Products List at www.designlights.org/QPL to confirm which versions are qualified.

BUY AMERICAN

This product is assembled in the USA and meets the Buy America(n) government procurement requirements under FAR, DFARS and DOT. Please refer to www.acuitybrands.com/resources/buyamerican for additional information.

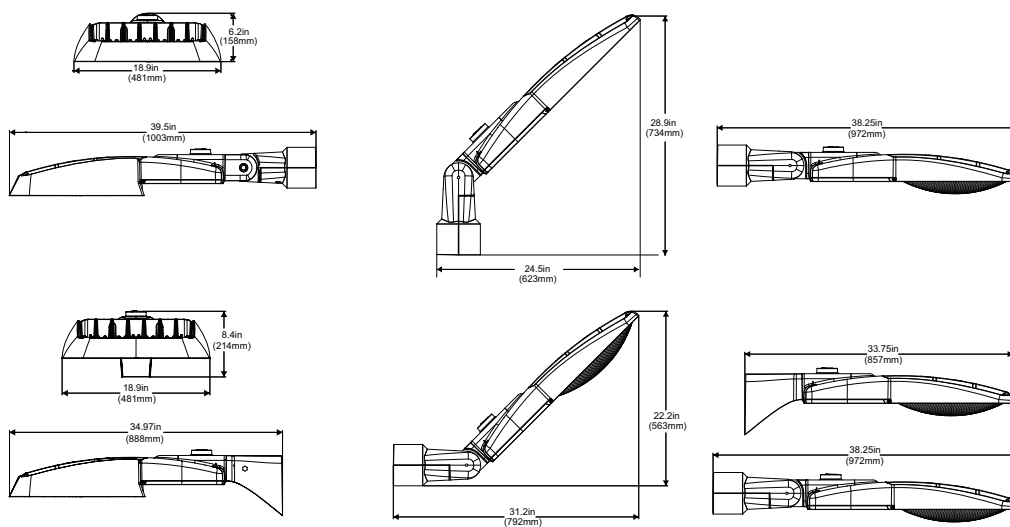
Warranty

5-year limited warranty. This is the only warranty provided and no other statements in this specification sheet create any warranty of any kind. All other express and implied warranties are disclaimed. Complete warranty terms located at: www.acuitybrands.com/support/warranty/terms-and-conditions

Note: Actual performance may differ as a result of end-user environment and application. All values are design or typical values, measured under laboratory conditions at 25°C



DIMENSIONAL DATA



Mounting/Optic	Tilt	Weight	EPA
VH	0°	35 lbs.	1.64 sq. ft.
VH with Refractor & US		44 lbs.	
VH	45°	35 lbs.	2.85 sq. ft.
VH with Refractor & US		44 lbs.	
UN	0°	31 lbs.	1.64 sq. ft.
UN with Refractor & US		38 lbs.	

ORDERING INFORMATION

Example: MGLEDM P2 40K MVOLT FT UN GRSD

HMLED4	P3	40K	HVOLT	HGR
Series	LED performance package	Color temperature	Voltage	Optics
MGLEDM Mongoose Medium	P1 15,400 Lumens P2 19,000 Lumens P3 22,400 Lumens P4 25,800 Lumens P5 28,900 Lumens P6 31,900 Lumens P7 35,100 Lumens P8 38,000 Lumens	30K 3,000 K CCT 40K 4,000 K CCT 50K 5,000 K CCT	MVOLT Auto-sensing voltage (120 thru 277) 347 347 Volt 480 480 Volt	AG Area with Refractor AR Area FG Forward Throw with Refractor FT Forward Throw MG Medium Roadway with Refractor MR Medium Roadway NG Narrow Roadway with Refractor NR Narrow Roadway WG Wide Roadway with Refractor WR Wide Roadway

VH	GRSD	PR7 SH NL
Mounting	Super Durable Paint	Options
VH Vertical Tenon/ Horizontal Arm UN Universal (Rd. & Sq)	GRSD Vitraccoat Gray GHSD Vitraccoat Graphite BKSD Vitraccoat Black GNSD Vitraccoat Green WHSD Vitraccoat White BZSD Vitraccoat Bronze	<p><u>Adjustable/Programmable Options</u></p> <p>AO Field Adjustable Output</p> <p><u>Control Options</u></p> <p>PCLL DTL Extreme Long Life Twistlock Photocontrol for Solid State (20 year rated life)</p> <p>PCSS DSS Premium Twistlock Photocontrol for Solid State (10 year rated life)</p> <p>POC2¹ Programmable occ. and daylight sensor, for mounting applications up to 20'</p> <p>POC4¹ Programmable occ. and daylight sensor, for mounting applications between 20' & 40'</p> <p>RSDGR nLight Air Occ. and daylight sensor</p> <p><u>NEMA Label Options</u></p> <p>NL² NEMA LABEL</p> <p><u>NEMA Receptacle Options</u></p> <p>PR7 7-pin Photocontrol Receptacle</p> <p><u>Shielding Options</u></p> <p>US Uplight Skirt HSS House Side Shield</p> <p><u>Shorting Cap Option</u></p> <p>SH SHORTING CAP</p>

Accessories: Order as separate catalog number.	
<u>Wire Guard Kit</u>	
MGLEDM WG	Mongoose Medium Wire Guard Kit
<u>Light Trespass Shield</u>	
MGLEDM LTS	Mongoose Medium Light Trespass Shield
<u>Uplight Skirt</u>	
MGLEDM US GRSD	Mongoose Medium Uplight Skirt, Vitraccoat Gray
MGLEDM US GHSD	Mongoose Medium Uplight Skirt, Vitraccoat Graphite
MGLEDM US BKSD	Mongoose Medium Uplight Skirt, Vitraccoat Black
MGLEDM US GNSD	Mongoose Medium Uplight Skirt, Vitraccoat Green
MGLEDM US WHSD	Mongoose Medium Uplight Skirt, Vitraccoat White
MGLEDM US BZSD	Mongoose Medium Uplight Skirt, Vitraccoat Bronze
<u>House Side Shield</u>	
MGLEDM HSS	Mongoose Medium House Side Shield

Notes

- For custom programming of the sensor, a wireless handheld configuration tool, Part No. FSIR-100 should be purchased, either from Legrand, or from Acuity (by special request).
- NL not available with POC2, POC4 or RSDGR.

MOUNTING OPTIONS



Vertical Tenon/Horizontal Arm Mount – VH

Attaches to 2" vertical tenon or horizontal mast arm (2 3/8" O.D.)



Universal Mount – UN

Attaches to square or 3" minimum round pole



OPTIONS MATRIX

Mounting	SELECTED OPTION (start here)								
	AO	PR7	PCLL	PCSS	POC2	POC4	RSDGR	SH	
Controls	AO		Y	Y	Y	N	N	N	Y
	PR7	Y		Y	Y	N	N	N	Y
	PCLL	Y	Y		N	N	N	N	N
	PCSS	Y	Y	N		N	N	N	N
	POC2	N	N	N	N		N	N	N
	POC4	N	N	N	N	N		N	N
	RSDGR	N	N	N	N	N	N		N
Voltage	SH	Y	Y	N	N	N	N	N	
	MVOLT	Y	Y	Y	Y	Y	Y	Y	Y
	347	Y	Y	Y	N	Y	Y	Y	Y
Performance Packages	480	Y	Y	Y	N	Y	Y	Y	Y
	P1	Y	Y	Y	Y	Y	Y	Y	Y
	P2	Y	Y	Y	Y	Y	Y	Y	Y
	P3	Y	Y	Y	Y	Y	Y	Y	Y
	P4	Y	Y	Y	Y	Y	Y	Y	Y
	P5	Y	Y	Y	Y	Y	Y	Y	Y
	P6	Y	Y	Y	Y	Y	Y	Y	Y
	P7	Y	Y	Y	Y	Y	Y	Y	Y
P8	Y	Y	Y	Y	Y	Y	Y	Y	

Y = Valid Option Combination
 N = Combination Not available

LUMEN AMBIENT TEMPERATURE (LAT) MULTIPLIERS

Use these factors to determine relative lumen output for average ambient temperatures from 0-40°C (32-104°F).

Temperature		Ambient Temperature (°C) Lumen Multiplier							
°C	°F	P1	P2	P3	P4	P5	P6	P7	P8
0	32	1.03	1.03	1.03	1.03	1.04	1.04	1.04	1.05
5	41	1.02	1.02	1.03	1.03	1.03	1.03	1.03	1.04
10	50	1.02	1.02	1.02	1.02	1.02	1.02	1.03	1.03
15	59	1.01	1.01	1.01	1.01	1.02	1.02	1.02	1.02
20	68	1.01	1.01	1.01	1.01	1.01	1.01	1.01	1.01
25	77	1.00	1.00	1.00	1.00	1.00	1.00	1.00	1.00

PERFORMANCE DATA

Performance Package	Distribution	Input Watts	30K (3000K CCT, 70 CRI)					40K (4000K CCT, 70 CRI)					50K (5000K CCT, 70 CRI)					LLD @ 25°C		
			Lumens	LPW	B	U	G	Lumens	LPW	B	U	G	Lumens	LPW	B	U	G	50k Hours	75k Hours	100k Hours
P1	AG	105	15,680	149	4	2	2	16,129	154	4	2	2	16,329	156	4	2	2	0.97	0.97	0.96
	AR		16,915	161	4	0	2	17,400	166	4	0	2	17,616	168	4	0	2			
	FG		14,519	138	2	3	3	14,935	142	2	3	3	15,120	144	3	3	3			
	FT		15,763	150	2	0	3	16,215	154	2	0	3	16,416	156	2	0	3			
	MG		15,064	143	2	2	2	15,496	148	2	2	2	15,687	149	3	2	2			
	MR		16,193	154	2	0	2	16,657	159	3	0	3	16,863	161	3	0	3			
	NG		15,292	146	3	2	2	15,731	150	3	2	2	15,925	152	3	2	2			
	NR		16,326	155	3	0	2	16,794	160	3	0	2	17,002	162	3	0	2			
	WG		14,577	139	3	2	3	14,994	143	3	2	3	15,180	145	3	2	3			
	WR		15,746	150	3	0	3	16,198	154	3	0	3	16,398	156	3	0	3			
P2	AG	126	19,225	153	4	2	2	19,776	157	4	2	2	20,021	159	4	3	2	0.97	0.97	0.96
	AR		20,740	165	4	0	2	21,335	169	4	0	2	21,599	171	4	0	2			
	FG		17,802	141	3	3	3	18,313	145	3	3	4	18,539	147	3	3	4			
	FT		19,328	153	3	0	4	19,882	158	3	0	4	20,128	160	3	0	4			
	MG		18,470	147	3	2	3	19,000	151	3	2	3	19,235	153	3	2	3			
	MR		19,854	158	3	0	3	20,423	162	3	0	3	20,676	164	3	0	3			
	NG		18,750	149	3	2	2	19,288	153	3	2	2	19,527	155	3	2	3			
	NR		20,018	159	3	0	2	20,592	163	3	0	2	20,847	165	3	0	2			
	WG		17,873	142	3	3	3	18,385	146	3	3	3	18,613	148	3	3	3			
	WR		19,307	153	3	0	3	19,860	158	3	0	3	20,106	160	3	0	3			
P3	AG	155	22,726	147	4	3	2	23,377	151	4	3	2	23,667	153	4	3	2	0.97	0.96	0.96
	AR		24,517	158	4	0	2	25,219	163	5	0	3	25,532	165	5	0	3			
	FG		21,044	136	3	3	4	21,647	140	3	3	4	21,915	141	3	3	4			
	FT		22,847	147	3	0	4	23,502	152	3	0	4	23,793	154	3	0	4			
	MG		21,833	141	3	3	3	22,459	145	3	3	3	22,737	147	3	3	3			
	MR		23,469	151	3	0	3	24,142	156	3	0	3	24,441	158	3	0	3			
	NG		22,164	143	3	2	3	22,799	147	3	2	3	23,082	149	3	2	3			
	NR		23,663	153	3	0	3	24,341	157	3	0	3	24,643	159	3	0	3			
	WG		21,127	136	3	3	3	21,732	140	3	3	3	22,001	142	3	3	3			
	WR		22,822	147	3	0	3	23,476	151	3	0	3	23,767	153	3	0	3			
P4	AG	180	26,107	145	4	3	2	26,855	149	4	3	2	27,188	151	4	3	2	0.97	0.96	0.95
	AR		28,164	156	5	0	3	28,972	161	5	0	3	29,330	163	5	0	3			
	FG		24,175	134	3	3	4	24,868	138	3	3	4	25,176	140	3	3	4			
	FT		26,246	146	3	0	5	26,998	150	3	0	5	27,333	152	3	0	5			
	MG		25,082	139	3	3	3	25,800	143	3	3	3	26,120	145	3	3	3			
	MR		26,961	150	3	0	3	27,734	154	3	0	3	28,077	156	3	0	3			
	NG		25,462	141	3	3	3	26,192	146	3	3	3	26,516	147	3	3	3			
	NR		27,184	151	3	0	3	27,963	155	3	0	3	28,309	157	3	0	3			
	WG		24,270	135	3	3	3	24,966	139	3	3	3	25,275	140	3	3	3			
	WR		26,218	146	3	0	3	26,969	150	3	0	3	27,303	152	3	0	3			

PERFORMANCE DATA (continued)

Performance Package	Distribution	Input Watts	30K (3000K CCT, 70 CRI)					40K (4000K CCT, 70 CRI)					50K (5000K CCT, 70 CRI)					LLD @ 25°C		
			Lumens	LPW	B	U	G	Lumens	LPW	B	U	G	Lumens	LPW	B	U	G	50k Hours	75k Hours	100k Hours
P5	AG	206	29,340	142	4	3	2	30,181	147	5	3	3	30,555	148	5	3	3	0.96	0.96	0.95
	AR		31,653	154	5	0	3	32,560	158	5	0	3	32,963	160	5	0	3			
	FG		27,169	132	3	3	5	27,947	136	3	3	5	28,294	137	3	3	5			
	FT		29,497	143	3	0	5	30,342	147	3	0	5	30,718	149	3	0	5			
	MG		28,188	137	3	3	3	28,996	141	3	3	3	29,355	143	3	3	3			
	MR		30,300	147	3	0	3	31,169	151	3	0	3	31,555	153	3	0	3			
	NG		28,615	139	4	3	3	29,436	143	4	3	3	29,800	145	4	3	3			
	NR		30,550	148	4	0	3	31,426	153	4	0	3	31,815	154	4	0	3			
	WG		27,276	132	3	3	3	28,058	136	3	3	3	28,405	138	3	3	3			
	WR		29,465	143	3	0	3	30,309	147	3	0	3	30,685	149	3	0	3			
P6	AG	230	32,375	141	5	3	3	33,303	145	5	3	3	33,715	147	5	3	3	0.96	0.95	0.94
	AR		34,926	152	5	0	3	35,927	156	5	0	3	36,372	158	5	0	3			
	FG		29,978	130	3	3	5	30,838	134	3	3	5	31,220	136	3	3	5			
	FT		32,547	142	3	0	5	33,480	146	3	0	5	33,894	147	3	0	5			
	MG		31,103	135	3	3	3	31,995	139	3	3	3	32,391	141	3	3	3			
	MR		33,434	145	3	0	4	34,392	150	3	0	4	34,818	151	3	0	4			
	NG		31,575	137	4	3	3	32,480	141	4	3	3	32,882	143	4	3	3			
	NR		33,710	147	4	0	3	34,676	151	4	0	3	35,105	153	4	0	3			
	WG		30,097	131	4	3	4	30,960	135	4	3	4	31,343	136	4	3	4			
	WR		32,512	141	3	0	4	33,444	145	3	0	4	33,858	147	4	0	4			
P7	AG	255	35,515	139	5	3	3	36,533	143	5	3	3	36,986	145	5	3	3	0.96	0.95	0.93
	AR		38,314	150	5	0	4	39,412	155	5	0	4	39,900	156	5	0	4			
	FG		32,886	129	3	3	5	33,829	133	4	3	5	34,248	134	4	3	5			
	FT		35,704	140	3	0	5	36,728	144	4	0	5	37,183	146	4	0	5			
	MG		34,120	134	3	3	3	35,098	138	3	3	3	35,533	139	4	3	3			
	MR		36,677	144	3	0	4	37,728	148	3	0	4	38,195	150	3	0	4			
	NG		34,638	136	4	3	3	35,630	140	4	3	3	36,072	141	4	3	3			
	NR		36,980	145	4	0	3	38,040	149	4	0	3	38,511	151	4	0	3			
	WG		33,017	129	4	3	4	33,963	133	4	3	4	34,383	135	4	3	4			
	WR		35,666	140	4	0	4	36,688	144	4	0	4	37,142	146	4	0	4			
P8	AG	280	38,510	138	5	3	3	39,614	141	5	3	3	40,104	143	5	3	3	0.95	0.93	0.92
	AR		41,545	148	5	0	4	42,735	153	5	0	4	43,265	155	5	0	4			
	FG		35,659	127	4	3	5	36,681	131	4	3	5	37,136	133	4	3	5			
	FT		38,715	138	4	0	5	39,824	142	4	0	5	40,318	144	4	0	5			
	MG		36,997	132	4	3	3	38,058	136	4	3	3	38,529	138	4	3	3			
	MR		39,770	142	4	0	4	40,909	146	4	0	4	41,416	148	4	0	4			
	NG		37,558	134	4	3	3	38,635	138	4	3	3	39,113	140	4	3	3			
	NR		40,098	143	4	0	3	41,247	147	4	0	3	41,758	149	4	0	3			
	WG		35,800	128	4	3	4	36,827	132	4	3	4	37,283	133	4	3	4			
	WR		38,673	138	4	0	4	39,782	142	4	0	4	40,274	144	4	0	4			

PERFORMANCE DATA — SKIRT OPTION

Performance Package	Distribution	Input Watts	30K (3000K CCT, 70 CRI)					40K (4000K CCT, 70 CRI)					50K (5000K CCT, 70 CRI)					LLD @ 25°C		
			Lumens	LPW	B	U	G	Lumens	LPW	B	U	G	Lumens	LPW	B	U	G	50k Hours	75k Hours	100k Hours
P1	AG	105	14,813	141	3	0	2	15,237	145	3	0	2	15,426	147	3	0	2	0.97	0.97	0.96
	AR		16,041	153	4	0	2	16,500	157	4	0	2	16,705	159	4	0	2			
	FG		13,647	130	3	0	2	14,038	134	3	0	2	14,212	135	3	0	2			
	FT		14,662	140	2	0	2	15,082	144	2	0	2	15,269	145	2	0	2			
	MG		14,623	139	2	0	2	15,042	143	3	0	2	15,228	145	3	0	2			
	MR		15,485	147	2	0	2	15,928	152	2	0	2	16,126	154	2	0	2			
	NG		14,965	143	3	0	2	15,394	147	3	0	2	15,585	148	3	0	2			
	NR		15,868	151	3	0	2	16,323	155	3	0	2	16,525	157	3	0	2			
	WG		13,943	133	3	0	2	14,343	137	3	0	2	14,521	138	3	0	2			
	WR		14,571	139	3	0	2	14,989	143	3	0	2	15,174	145	3	0	2			
P2	AG	126	18,162	144	4	0	2	18,683	148	4	0	2	18,914	150	4	0	2	0.97	0.97	0.96
	AR		19,668	156	4	0	2	20,232	161	4	0	2	20,482	163	4	0	2			
	FG		16,733	133	3	0	2	17,212	137	3	0	2	17,426	138	3	0	2			
	FT		17,978	143	3	0	3	18,493	147	3	0	3	18,722	149	3	0	3			
	MG		17,929	142	3	0	2	18,443	146	3	0	2	18,672	148	3	0	2			
	MR		18,986	151	3	0	2	19,530	155	3	0	3	19,772	157	3	0	3			
	NG		18,349	146	3	0	2	18,875	150	3	0	2	19,109	152	3	0	2			
	NR		19,456	154	3	0	2	20,014	159	3	0	2	20,262	161	3	0	2			
	WG		17,097	136	3	0	3	17,587	140	3	0	3	17,804	141	3	0	3			
	WR		17,866	142	3	0	2	18,378	146	3	0	3	18,606	148	3	0	3			
P3	AG	155	21,469	139	4	0	2	22,084	142	4	0	2	22,358	144	4	0	2	0.97	0.96	0.96
	AR		23,249	150	4	0	2	23,915	154	4	0	2	24,211	156	4	0	2			
	FG		19,779	128	3	0	2	20,346	131	3	0	3	20,598	133	3	0	3			
	FT		21,251	137	3	0	3	21,860	141	3	0	3	22,131	143	3	0	3			
	MG		21,194	137	3	0	3	21,801	141	3	0	3	22,071	142	3	0	3			
	MR		22,443	145	3	0	3	23,086	149	3	0	3	23,372	151	3	0	3			
	NG		21,690	140	3	0	2	22,312	144	3	0	2	22,588	146	3	0	2			
	NR		22,999	148	3	0	2	23,658	153	3	0	2	23,951	155	3	0	2			
	WG		20,209	130	3	0	3	20,788	134	3	0	3	21,046	136	3	0	3			
	WR		21,119	136	3	0	3	21,724	140	3	0	3	21,993	142	3	0	3			
P4	AG	180	24,663	137	4	0	2	25,370	141	4	0	2	25,685	143	4	0	2	0.97	0.96	0.95
	AR		26,708	148	4	0	2	27,474	153	4	0	2	27,814	155	4	0	2			
	FG		22,722	126	3	0	3	23,374	130	3	0	3	23,663	131	3	0	3			
	FT		24,413	136	3	0	3	25,113	140	3	0	3	25,424	141	3	0	3			
	MG		24,347	135	3	0	3	25,045	139	3	0	3	25,355	141	3	0	3			
	MR		25,782	143	3	0	3	26,521	147	3	0	3	26,850	149	3	0	3			
	NG		24,917	138	3	0	2	25,631	142	3	0	2	25,949	144	4	0	2			
	NR		26,421	147	3	0	2	27,178	151	3	0	2	27,515	153	3	0	2			
	WG		23,216	129	3	0	3	23,882	133	3	0	3	24,177	134	3	0	3			
	WR		24,261	135	3	0	3	24,957	139	3	0	3	25,266	140	3	0	3			

PERFORMANCE DATA — UPLIGHT SKIRT OPTION (continued)

Performance Package	Distribution	Input Watts	30K (3000K CCT, 70 CRI)					40K (4000K CCT, 70 CRI)					50K (5000K CCT, 70 CRI)					LLD @ 25°C		
			Lumens	LPW	B	U	G	Lumens	LPW	B	U	G	Lumens	LPW	B	U	G	50k Hours	75k Hours	100k Hours
P5	AG	206	27,718	135	4	0	2	28,513	138	4	0	2	28,866	140	4	0	2	0.96	0.96	0.95
	AR		30,016	146	5	0	3	30,876	150	5	0	3	31,259	152	5	0	3			
	FG		25,536	124	3	0	3	26,268	128	3	0	3	26,594	129	3	0	3			
	FT		27,437	133	3	0	4	28,223	137	3	0	4	28,572	139	3	0	4			
	MG		27,362	133	3	0	3	28,147	137	3	0	3	28,495	138	3	0	3			
	MR		28,975	141	3	0	3	29,806	145	3	0	3	30,175	146	3	0	3			
	NG		28,003	136	4	0	2	28,806	140	4	0	2	29,163	142	4	0	2			
	NR		29,693	144	4	0	2	30,544	148	4	0	2	30,922	150	4	0	2			
	WG		26,091	127	3	0	3	26,839	130	3	0	3	27,172	132	3	0	3			
	WR		27,266	132	3	0	3	28,048	136	3	0	3	28,395	138	3	0	3			
P6	AG	230	30,585	133	5	0	2	31,461	137	5	0	2	31,851	138	5	0	2	0.96	0.95	0.94
	AR		33,120	144	5	0	3	34,069	148	5	0	3	34,491	150	5	0	3			
	FG		28,177	123	3	0	3	28,985	126	3	0	3	29,344	128	3	0	3			
	FT		30,274	132	3	0	4	31,142	135	3	0	4	31,527	137	3	0	4			
	MG		30,192	131	3	0	3	31,058	135	3	0	3	31,442	137	3	0	3			
	MR		31,972	139	3	0	3	32,888	143	3	0	3	33,296	145	3	0	3			
	NG		30,899	134	4	0	2	31,785	138	4	0	2	32,178	140	4	0	2			
	NR		32,764	142	4	0	2	33,703	147	4	0	3	34,120	148	4	0	3			
	WG		28,790	125	4	0	3	29,615	129	4	0	3	29,982	130	4	0	3			
	WR		30,086	131	3	0	3	30,948	135	3	0	3	31,331	136	4	0	3			
P7	AG	255	33,551	132	5	0	3	34,513	135	5	0	3	34,941	137	5	0	3	0.96	0.95	0.93
	AR		36,333	142	5	0	3	37,374	147	5	0	3	37,837	148	5	0	3			
	FG		30,911	121	4	0	4	31,797	125	4	0	4	32,190	126	4	0	4			
	FT		33,211	130	4	0	4	34,163	134	4	0	4	34,586	136	4	0	4			
	MG		33,121	130	4	0	3	34,070	134	4	0	3	34,492	135	4	0	3			
	MR		35,073	138	3	0	3	36,079	141	4	0	3	36,526	143	4	0	3			
	NG		33,897	133	4	0	2	34,868	137	4	0	3	35,300	138	4	0	3			
	NR		35,942	141	4	0	3	36,972	145	4	0	3	37,430	147	4	0	3			
	WG		31,582	124	4	0	3	32,488	127	4	0	3	32,890	129	4	0	3			
	WR		33,004	129	4	0	3	33,950	133	4	0	3	34,371	135	4	0	3			
P8	AG	280	36,380	130	5	0	3	37,423	134	5	0	3	37,887	135	5	0	3	0.95	0.93	0.92
	AR		39,396	141	5	0	3	40,526	145	5	0	3	41,027	147	5	0	3			
	FG		33,517	120	4	0	4	34,478	123	4	0	4	34,905	125	4	0	4			
	FT		36,011	129	4	0	4	37,043	132	4	0	4	37,502	134	4	0	4			
	MG		35,914	128	4	0	3	36,943	132	4	0	3	37,401	134	4	0	3			
	MR		38,031	136	4	0	4	39,121	140	4	0	4	39,605	141	4	0	4			
	NG		36,755	131	4	0	3	37,808	135	4	0	3	38,276	137	4	0	3			
	NR		38,972	139	4	0	3	40,089	143	4	0	3	40,586	145	4	0	3			
	WG		34,245	122	4	0	3	35,227	126	4	0	3	35,663	127	4	0	3			
	WR		35,787	128	4	0	4	36,813	131	4	0	4	37,269	133	4	0	4			

PERFORMANCE DATA — HOUSE SIDE SHIELD OPTION

Performance Package	Distribution	Input Watts	30K (3000K CCT, 70 CRI)					40K (4000K CCT, 70 CRI)					50K (5000K CCT, 70 CRI)					LLD @ 25°C		
			Lumens	LPW	B	U	G	Lumens	LPW	B	U	G	Lumens	LPW	B	U	G	50k Hours	75k Hours	100k Hours
P1	AG	105	6,999	67	1	2	2	7,199	69	1	2	2	7,288	69	1	2	2	0.97	0.97	0.96
	AR		9,980	95	1	2	2	10,266	98	1	2	2	10,393	99	1	2	2			
	FG		9,965	95	1	2	3	10,251	98	1	2	3	10,378	99	1	2	3			
	FT		11,584	110	1	2	3	11,916	113	1	2	3	12,064	115	1	2	3			
	MG		11,335	108	1	2	2	11,660	111	1	2	2	11,804	112	1	2	2			
	MR		12,900	123	1	2	2	13,270	126	1	2	2	13,435	128	1	2	2			
	NG		13,205	126	1	2	2	13,584	129	1	2	2	13,752	131	1	2	2			
	NR		13,221	126	1	2	2	13,599	130	1	2	2	13,768	131	1	2	2			
	WG		10,624	101	1	2	2	10,928	104	1	2	2	11,064	105	1	2	2			
	WR		12,269	117	2	2	3	12,621	120	2	2	3	12,777	122	2	2	3			
P2	AG	126	8,581	68	1	2	2	8,827	70	1	2	2	8,937	71	1	2	2	0.97	0.97	0.96
	AR		12,237	97	1	2	2	12,588	100	1	2	2	12,743	101	1	2	2			
	FG		12,219	97	1	3	3	12,569	100	1	3	3	12,725	101	1	3	3			
	FT		14,204	113	1	2	3	14,611	116	1	3	3	14,792	117	1	3	3			
	MG		13,898	110	1	2	2	14,297	113	1	2	2	14,474	115	1	2	2			
	MR		15,818	126	2	2	2	16,271	129	2	2	2	16,473	131	2	2	2			
	NG		16,191	129	1	2	3	16,655	132	1	2	3	16,861	134	1	2	3			
	NR		16,210	129	1	2	3	16,675	132	1	2	3	16,881	134	1	2	3			
	WG		13,026	103	1	2	3	13,400	106	2	2	3	13,566	108	2	2	3			
	WR		15,043	119	2	2	3	15,475	123	2	2	3	15,666	124	2	2	3			
P3	AG	155	10,144	65	1	2	2	10,434	67	1	2	2	10,564	68	1	2	2	0.97	0.96	0.96
	AR		14,465	93	1	2	3	14,879	96	1	2	3	15,064	97	1	2	3			
	FG		14,443	93	1	3	3	14,857	96	1	3	3	15,041	97	1	3	3			
	FT		16,790	108	1	3	3	17,271	111	1	3	3	17,485	113	1	3	3			
	MG		16,429	106	2	2	2	16,900	109	2	2	3	17,109	110	2	2	3			
	MR		18,698	121	2	2	3	19,233	124	2	2	3	19,472	126	2	2	3			
	NG		19,139	123	2	2	3	19,688	127	2	3	3	19,931	129	2	3	3			
	NR		19,161	124	1	2	3	19,711	127	1	2	3	19,955	129	1	2	3			
	WG		15,398	99	2	2	3	15,839	102	2	3	3	16,035	103	2	3	3			
	WR		17,782	115	2	2	3	18,292	118	2	2	3	18,518	119	2	2	3			
P4	AG	180	11,653	65	1	2	2	11,987	67	1	2	2	12,135	67	1	2	2	0.97	0.96	0.95
	AR		16,617	92	1	2	3	17,093	95	1	2	3	17,305	96	1	2	3			
	FG		16,592	92	1	3	3	17,068	95	1	3	3	17,279	96	1	3	3			
	FT		19,288	107	1	3	4	19,841	110	1	3	4	20,086	112	1	3	4			
	MG		18,873	105	2	3	3	19,414	108	2	3	3	19,655	109	2	3	3			
	MR		21,480	119	2	2	3	22,095	123	2	2	3	22,369	124	2	2	3			
	NG		21,987	122	2	3	3	22,617	126	2	3	3	22,897	127	2	3	3			
	NR		22,012	122	2	2	3	22,643	126	2	2	3	22,924	127	2	2	3			
	WG		17,689	98	2	3	3	18,196	101	2	3	3	18,421	102	2	3	3			
	WR		20,428	113	2	2	3	21,014	117	2	2	3	21,274	118	2	2	3			

PERFORMANCE DATA — HOUSE SIDE SHIELD OPTION (continued)

Performance Package	Distribution	Input Watts	30K (3000K CCT, 70 CRI)					40K (4000K CCT, 70 CRI)					50K (5000K CCT, 70 CRI)					LLD @ 25°C		
			Lumens	LPW	B	U	G	Lumens	LPW	B	U	G	Lumens	LPW	B	U	G	50k Hours	75k Hours	100k Hours
P5	AG	206	13,096	64	1	2	2	13,472	65	1	2	2	13,638	66	1	2	2	0.96	0.96	0.95
	AR		18,675	91	1	3	3	19,210	93	1	3	3	19,448	94	1	3	3			
	FG		18,647	91	1	3	4	19,182	93	1	3	4	19,419	94	1	3	4			
	FT		21,677	105	1	3	4	22,298	108	1	3	4	22,574	110	1	3	4			
	MG		21,211	103	2	3	3	21,819	106	2	3	3	22,089	107	2	3	3			
	MR		24,140	117	2	2	3	24,832	121	2	2	3	25,139	122	2	2	3			
	NG		24,710	120	2	3	3	25,418	123	2	3	3	25,733	125	2	3	3			
	NR		24,739	120	2	3	3	25,448	124	2	3	3	25,763	125	2	3	3			
	WG		19,880	97	2	3	3	20,450	99	2	3	3	20,703	101	2	3	3			
	WR		22,958	111	2	2	3	23,616	115	2	2	3	23,909	116	3	2	3			
P6	AG	230	14,451	63	1	3	3	14,865	65	1	3	3	15,049	65	1	3	3	0.96	0.95	0.94
	AR		20,606	90	1	3	3	21,197	92	1	3	3	21,459	93	1	3	4			
	FG		20,576	89	1	3	4	21,165	92	1	3	4	21,428	93	1	3	4			
	FT		23,918	104	1	3	4	24,604	107	1	3	4	24,909	108	1	3	4			
	MG		23,404	102	2	3	3	24,075	105	2	3	3	24,373	106	2	3	3			
	MR		26,636	116	2	2	3	27,400	119	2	2	3	27,739	121	2	2	4			
	NG		27,265	119	2	3	3	28,047	122	2	3	3	28,394	123	2	3	3			
	NR		27,297	119	2	3	3	28,079	122	2	3	3	28,427	124	2	3	3			
	WG		21,936	95	2	3	3	22,564	98	2	3	3	22,844	99	2	3	3			
	WR		25,332	110	3	2	3	26,058	113	3	2	3	26,381	115	3	2	4			
P7	AG	255	15,852	62	1	3	3	16,307	64	1	3	3	16,509	65	1	3	3	0.96	0.95	0.93
	AR		22,605	89	1	3	4	23,253	91	1	3	4	23,541	92	1	3	4			
	FG		22,572	89	2	3	4	23,219	91	2	3	4	23,506	92	2	3	4			
	FT		26,239	103	1	3	4	26,991	106	1	3	4	27,325	107	2	3	4			
	MG		25,675	101	2	3	3	26,411	104	2	3	3	26,738	105	2	3	3			
	MR		29,220	115	2	3	4	30,058	118	3	3	4	30,430	119	3	3	4			
	NG		29,910	117	2	3	3	30,767	121	2	3	3	31,148	122	2	3	3			
	NR		29,945	117	2	3	3	30,803	121	2	3	3	31,185	122	2	3	3			
	WG		24,063	94	2	3	3	24,753	97	2	3	3	25,060	98	2	3	3			
	WR		27,790	109	3	3	4	28,586	112	3	3	4	28,940	113	3	3	4			
P8	AG	280	17,189	61	1	3	3	17,682	63	1	3	3	17,901	64	1	3	3	0.95	0.93	0.92
	AR		24,511	88	1	3	4	25,214	90	1	3	4	25,526	91	1	3	4			
	FG		24,475	87	2	3	4	25,176	90	2	3	4	25,488	91	2	3	4			
	FT		28,451	102	2	3	4	29,266	105	2	3	4	29,629	106	2	3	4			
	MG		27,840	99	2	3	3	28,638	102	2	3	3	28,992	104	2	3	3			
	MR		31,684	113	3	3	4	32,592	116	3	3	4	32,996	118	3	3	4			
	NG		32,432	116	2	3	3	33,362	119	2	3	4	33,775	121	2	3	4			
	NR		32,470	116	2	3	3	33,401	119	2	3	3	33,814	121	2	3	3			
	WG		26,092	93	2	3	3	26,840	96	3	3	4	27,173	97	3	3	4			
	WR		30,133	108	3	3	4	30,996	111	3	3	4	31,380	112	3	3	4			

PERFORMANCE DATA — UPLIGHT SKIRT + HOUSE SIDE SHIELD OPTION

Performance Package	Distribution	Input Watts	30K (3000K CCT, 70 CRI)					40K (4000K CCT, 70 CRI)					50K (5000K CCT, 70 CRI)					LLD @ 25°C		
			Lumens	LPW	B	U	G	Lumens	LPW	B	U	G	Lumens	LPW	B	U	G	50k Hours	75k Hours	100k Hours
P1	AG	105	8,036	77	1	0	2	8,266	79	1	0	2	8,368	80	1	0	2	0.97	0.97	0.96
	AR		9,275	88	1	0	2	9,541	91	1	0	2	9,659	92	1	0	2			
	FG		8,948	85	1	0	2	9,204	88	1	0	2	9,318	89	1	0	2			
	FT		10,422	99	1	0	2	10,720	102	1	0	2	10,853	103	1	0	2			
	MG		10,580	101	1	0	2	10,884	104	1	0	2	11,018	105	1	0	2			
	MR		12,257	117	1	0	2	12,609	120	1	0	2	12,765	122	1	0	2			
	NG		11,030	105	1	0	2	11,347	108	1	0	2	11,487	109	1	0	2			
	NR		12,554	120	1	0	2	12,914	123	1	0	2	13,074	125	1	0	2			
	WG		9,525	91	1	0	2	9,798	93	1	0	2	9,919	94	1	0	2			
	WR		10,983	105	1	0	2	11,298	108	1	0	2	11,438	109	1	0	2			
P2	AG	126	9,853	78	1	0	2	10,135	80	1	0	2	10,261	81	1	0	2	0.97	0.97	0.96
	AR		11,373	90	1	0	2	11,699	93	1	0	2	11,844	94	1	0	2			
	FG		10,971	87	1	0	2	11,286	90	1	0	2	11,425	91	1	0	2			
	FT		12,778	101	1	0	2	13,145	104	1	0	2	13,307	106	1	0	2			
	MG		12,973	103	1	0	2	13,345	106	1	0	2	13,510	107	1	0	2			
	MR		15,029	119	1	0	2	15,460	123	1	0	2	15,651	124	1	0	2			
	NG		13,525	107	1	0	2	13,912	110	1	0	2	14,085	112	1	0	2			
	NR		15,393	122	1	0	2	15,835	126	1	0	2	16,031	127	1	0	2			
	WG		11,678	93	1	0	2	12,013	95	1	0	2	12,162	97	1	0	2			
	WR		13,467	107	2	0	2	13,853	110	2	0	2	14,024	111	2	0	2			
P3	AG	155	11,647	75	1	0	2	11,981	77	1	0	2	12,129	78	1	0	2	0.97	0.96	0.96
	AR		13,444	87	1	0	2	13,829	89	1	0	2	14,000	90	1	0	2			
	FG		12,969	84	1	0	2	13,340	86	1	0	2	13,506	87	1	0	2			
	FT		15,105	97	1	0	3	15,538	100	1	0	3	15,730	101	1	0	3			
	MG		15,335	99	1	0	2	15,774	102	1	0	2	15,970	103	2	0	2			
	MR		17,765	115	2	0	2	18,275	118	2	0	2	18,501	119	2	0	2			
	NG		15,987	103	1	0	2	16,445	106	1	0	2	16,649	107	1	0	2			
	NR		18,196	117	1	0	2	18,718	121	1	0	2	18,949	122	1	0	2			
	WG		13,805	89	2	0	2	14,200	92	2	0	2	14,376	93	2	0	2			
	WR		15,918	103	2	0	2	16,375	106	2	0	2	16,577	107	2	0	2			
P4	AG	180	13,380	74	1	0	2	13,452	75	1	0	2	13,934	77	1	0	2	0.97	0.96	0.95
	AR		15,444	86	1	0	3	15,457	86	1	0	3	16,083	89	1	0	3			
	FG		14,898	83	1	0	2	15,253	85	1	0	2	15,515	86	1	0	2			
	FT		17,352	96	1	0	3	17,705	98	1	0	3	18,071	100	1	0	3			
	MG		17,617	98	2	0	2	17,937	100	2	0	2	18,346	102	2	0	2			
	MR		20,409	113	2	0	3	20,784	115	2	0	3	21,254	118	2	0	3			
	NG		18,366	102	2	0	2	18,649	104	2	0	2	19,126	106	2	0	2			
	NR		20,903	116	2	0	2	21,201	118	2	0	2	21,769	121	2	0	2			
	WG		15,859	88	2	0	2	16,313	91	2	0	2	16,515	92	2	0	2			
	WR		18,287	102	2	0	2	18,617	103	2	0	2	19,044	106	2	0	2			

PERFORMANCE DATA — UPLIGHT SKIRT + HOUSE SIDE SHIELD OPTION (continued)

Performance Package	Distribution	Input Watts	30K (3000K CCT, 70 CRI)					40K (4000K CCT, 70 CRI)					50K (5000K CCT, 70 CRI)					LLD @ 25°C		
			Lumens	LPW	B	U	G	Lumens	LPW	B	U	G	Lumens	LPW	B	U	G	50k Hours	75k Hours	100k Hours
P5	AG	206	15,037	73	1	0	2	15,468	75	1	0	2	15,659	76	1	0	2	0.96	0.96	0.95
	AR		17,356	84	1	0	3	17,854	87	1	0	3	18,075	88	1	0	3			
	FG		16,743	81	2	0	3	17,223	84	2	0	3	17,437	85	2	0	3			
	FT		19,501	95	1	0	3	20,060	97	2	0	3	20,309	99	2	0	3			
	MG		19,798	96	2	0	2	20,366	99	2	0	2	20,618	100	2	0	2			
	MR		22,936	111	2	0	3	23,594	115	2	0	3	23,886	116	2	0	3			
	NG		20,641	100	2	0	2	21,232	103	2	0	2	21,495	104	2	0	2			
	NR		23,492	114	2	0	2	24,166	117	2	0	2	24,465	119	2	0	2			
	WG		17,823	87	2	0	2	18,333	89	2	0	2	18,561	90	2	0	2			
	WR		20,552	100	2	0	2	21,141	103	2	0	3	21,403	104	2	0	3			
P6	AG	230	16,592	72	1	0	2	17,067	74	1	0	2	17,279	75	1	0	2	0.96	0.95	0.94
	AR		19,151	83	1	0	3	19,700	86	1	0	3	19,944	87	1	0	3			
	FG		18,475	80	2	0	3	19,005	83	2	0	3	19,240	84	2	0	3			
	FT		21,518	94	2	0	4	22,135	96	2	0	4	22,409	97	2	0	4			
	MG		21,846	95	2	0	2	22,472	98	2	0	2	22,750	99	2	0	2			
	MR		25,308	110	2	0	3	26,034	113	2	0	3	26,356	115	2	0	3			
	NG		22,775	99	2	0	2	23,428	102	2	0	2	23,718	103	2	0	2			
	NR		25,922	113	2	0	2	26,665	116	2	0	3	26,995	117	2	0	3			
	WG		19,666	86	2	0	2	20,229	88	2	0	2	20,480	89	2	0	2			
	WR		22,677	99	2	0	3	23,327	101	2	0	3	23,616	103	2	0	3			
P7	AG	255	18,201	71	1	0	3	18,723	73	2	0	3	18,955	74	2	0	3	0.96	0.95	0.93
	AR		21,009	82	1	0	3	21,611	85	1	0	3	21,879	86	1	0	3			
	FG		20,267	79	2	0	3	20,848	82	2	0	3	21,106	83	2	0	3			
	FT		23,606	93	2	0	4	24,282	95	2	0	4	24,583	96	2	0	4			
	MG		23,965	94	2	0	3	24,652	97	2	0	3	24,957	98	2	0	3			
	MR		27,763	109	2	0	3	28,559	112	2	0	3	28,913	113	2	0	3			
	NG		24,984	98	2	0	2	25,701	101	2	0	2	26,019	102	2	0	2			
	NR		28,436	112	2	0	3	29,251	115	2	0	3	29,614	116	2	0	3			
	WG		21,573	85	2	0	2	22,192	87	2	0	2	22,467	88	2	0	2			
	WR		24,877	98	2	0	3	25,590	100	2	0	3	25,907	102	2	0	3			
P8	AG	280	19,736	70	2	0	3	20,302	73	2	0	3	20,553	73	2	0	3	0.95	0.93	0.92
	AR		22,781	81	2	0	3	23,434	84	2	0	4	23,724	85	2	0	4			
	FG		21,976	78	2	0	3	22,606	81	2	0	3	22,886	82	2	0	3			
	FT		25,596	91	2	0	4	26,330	94	2	0	4	26,656	95	2	0	4			
	MG		25,986	93	2	0	3	26,730	95	2	0	3	27,062	97	2	0	3			
	MR		30,104	108	2	0	3	30,967	111	2	0	4	31,351	112	3	0	4			
	NG		27,091	97	2	0	2	27,868	100	2	0	2	28,213	101	2	0	2			
	NR		30,834	110	2	0	3	31,718	113	2	0	3	32,111	115	2	0	3			
	WG		23,393	84	2	0	2	24,063	86	2	0	3	24,361	87	2	0	3			
	WR		26,975	96	3	0	3	27,748	99	3	0	3	28,091	100	3	0	3			



Consistent with LEED® goals & Green Globes™ criteria for light pollution reduction



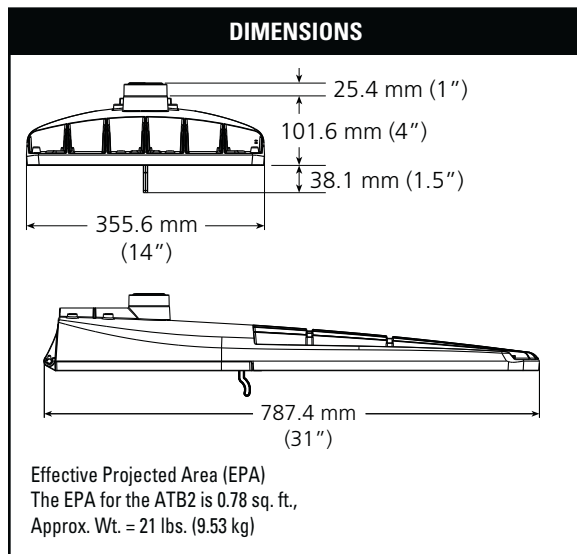
Autobahn Series ATB2 Roadway Lighting

PRODUCT OVERVIEW



Applications:

- Roadways
- Off ramps
- Residential streets
- Parking lots



STANDARDS

DesignLights Consortium® (DLC) qualified product. Not all versions of this product may be DLC qualified. Please check the DLC Qualified Products List at www.designlights.org/QPL to confirm which versions are qualified.

Color temperatures of $\leq 3000\text{K}$ must be specified for International Dark-Sky Association certification.

Rated for -40°C to 40°C ambient.

CSA Certified to U.S. and Canadian standards
Complies with ANSI: C136.2, C136.10, C136.14, C136.31, C136.15, C136.37

BUY AMERICAN — Product with the BAA option is assembled in the USA and meets the Buy America(n) government procurement requirements under FAR, DFARS and DOT. Please refer to www.acuitybrands.com/buy-american for additional information.

Note: Specifications subject to change without notice.

Autobahn Series – AEL_0109_ATB2

Features:

OPTICAL

The Autobahn's new molded silicone optics provide exceptional performance. Silicone optics are superior to other polymeric materials in the areas of; optical efficiency, thermal performance, and reduction in dirt accumulation, all of which can lead to long term lumen degradation and a shift in optical distribution. Also, because silicone allows for the molding of fine details as well as thick sections, it produces the most crisp, clean and well-defined lighting distributions available. Silicone optics paired with modern LED's allow the Autobahn to take full advantage of both technologies.

Same Light: Performance is comparable to 400-1000W HPS roadway luminaires.

White Light: Correlated color temperature - 4000K, or optional 2700K, 3000K or 5000K, all 70 CRI minimum.

Unique IP66 rated LED light engines provided 0% uplight and restrict backlight to within sidewalk depth, providing optimal application coverage and optimal pole spacing.

Available in Type II, III, IV, & V roadway distributions.

ELECTRICAL

Expected Life: LED light engines are rated $>100,000$ hours at 25°C , L70. Electronic driver has an expected life of 100,000 hours at a 25°C ambient.

Lower Energy: Saves an average of 40-60% over comparable HPS platforms.

Robust Surge Protection: Two different surge protection options provide a minimum of ANSI C136.2 10kV/5kA protection. 20kV/10kA protection is also available.

Luminaire ships with a 0-10v dimmable driver. Luminaire is continuous and step dimming capable via AO option or controls installed on P7 photocontrol receptacle option.

MECHANICAL

Easy to Maintain: Includes standard AEL lineman-friendly features such as tool-less entry, 3 station terminal block and quick disconnects. Bubble level located inside the electrical compartment for easy leveling at installation.

Rugged die-cast aluminum housing is polyester powder-coated for durability and corrosion resistance. Rigorous five-stage pre-treating and painting process yields a finish that achieves a scribe creepage rating of 7 (per ASTM D1654) after over 5000 hours exposure to salt fog chamber (operated per ASTM B117).

Four-bolt mast arm mount is adjustable for arms from 1-1/4" to 2" (1-5/8" to 2-3/8" O.D.) diameter and provides a 3G vibration rating per ANSI C136.31.

Wildlife shield is cast into the housing (not a separate piece).

CONTROLS

NEMA 3 Pin photocontrol receptacle is standard, with the Acuity designed ANSI 7 Pin receptacle optionally available.

Premium solid state locking sale photocontrol - PCSS (10 year rated life). Extreme long life sold state locking style photocontrol - PCLL (20 year rated life).

Optional onboard Adjustable Output module allows the light output and input wattage to be modified to meet site specific requirements, and can also allow a single fixture to be flexibly applied in many different applications.



Autobahn Series ATB2

Roadway Lighting

ORDERING INFORMATION

HMLED4 P3 40K HV

Series

ATB2 Autobahn LED
Roadway

Performance Packages

P601	26,192 lumens nominal
P602	29,188 lumens nominal
P603	33,062 lumens nominal
P604	36,305 lumens nominal
P605	39,786 lumens nominal
P901	30,398 lumens nominal
P902	36,273 lumens nominal
P903	41,215 lumens nominal
P904	45,247 lumens nominal
P905	50,476 lumens nominal

HIGH MAST

Voltage

MVOLT	Multi-volt, 120-277V
347	347V
480	480V
XVOLT³	277V-480V

P7 SH

Optics

R2	Roadway Type II
R3	Roadway Type III
R4²	Roadway Type IV
R5	Roadway Type V

P7 SH

Options

Color Temperature (CCT)

(Blank)	4000K CCT, 70 CRI Min.
27K	2700K CCT, 70 CRI Min.
3K	3000K CCT, 70 CRI Min.
5K	5000K CCT, 70 CRI Min.

Paint

(Blank)	Gray (Standard)
BK	Black
BZ	Bronze
DDB	Dark Bronze
GN	Green
GI	Graphite
WH	White

Surge Protection

(Blank)	Standard 20kV/10kA SPD
MP	MOV Pack 10kV/5kA

Terminal Block

(Blank)	Terminal Block (Standard)
T2	Wired to L1 & L2 Positions

Misc.

BL	External Bubble Level
HSS	House-Side Shield
NL	Nema Label
XL	Not CSA Certified
HK	Hingekeepers
BAA	Buy America(n) Act Compliant

Misc. (continued)

UMR-XX	8" Horizontal Arm for Round Pole, Painted to match Fixture
UMS-XX	8" Horizontal Arm for Square Pole, Painted to match Fixture
UMR-GALV	8" Horizontal Arm for Round Pole, Galvanized
UMS-GALV	8" Horizontal Arm for Square Pole, Galvanized

Controls

(Blank)	3 Pin NEMA Photocontrol Receptacle (Standard)
P7	7 Pin Photocontrol Receptacle (Dimmable Driver Included)
NR	No Photocontrol Receptacle
AO	Field Adjustable Output
PCSS¹	Solid State Lighting Photocontrol (120-277V)
PCLL	Solid State Long Life Photocontrol
SH	Shorting Cap

Packaging

(Blank)	Single Unit (Standard)
JP	Job Pack (24/Pallet)

Accessories:

	House Side Shields for field installation
ATB2P60XR2/R5HSS	for use with P601 - P605, R2 & R5 distributions
ATB2P60XR3HSS	for use with P601 - P605, R3 distribution
ATB0P60XR4HSS	for use with P601 - P505, R4 distribution
ATB2P90XR2/R5HSS	for use with P901 - P905, R2 & R5 distributions
ATB2P90XR3HSS	for use with P901 - P905, R3 distribution

Notes

1. Not available in 347 or 480V.
2. Not available with P901 - P905 performance packages
3. XVOLT option only available with P601 and P602 performance packages



AEL Headquarters, 3825 Columbus Road, Granville, OH 43023
www.americanelectricalighting.com
© 2014-2022 Acuity Brands Lighting, Inc. All Rights Reserved. ATB2 Rev. 04/04/22

Warranty Five-year limited warranty. This is the only warranty provided and no other statements in this specification sheet create any warranty of any kind. All other express and implied warranties are disclaimed. Complete warranty terms located at: www.acuitybrands.com/support/customer-support/terms-and-conditions
Actual performance may differ as a result of end-user environment and application. All values are design or typical values, measured under laboratory conditions at 25 °C. Specifications subject to change without notice.
Please contact your sales representative for the latest product information.

Autobahn Series ATB2

Roadway Lighting

PERFORMANCE PACKAGE

ATB2	Distribution	Input Watts	2700K		3000K		4000/5000K	
			Lumens	LPW	Lumens	LPW	Lumens	LPW
P601	R2	175	22,828	131	24,280	139	27,200	156
	R3		22,689	130	25,200	144	27,080	155
	R4		23,376	135	23,760	136	24,770	143
	R5		23,291	135	23,810	138	24,680	143
P602	R2	196	24,983	126	26,610	135	30,060	152
	R3		24,831	126	27,770	142	30,020	153
	R4		25,697	135	26,280	137	27,230	143
	R5		25,489	135	26,270	138	27,010	144
P603	R2	233	28,442	121	30,430	131	34,020	145
	R3		28,269	121	32,760	141	33,990	145
	R4		29,359	124	29,800	126	31,110	132
	R5		29,019	125	29,850	127	30,750	132
P604	R2	263	31,060	118	33,130	126	37,050	140
	R3		30,871	118	35,670	136	36,950	141
	R4		32,001	125	32,450	126	33,910	132
	R5		31,690	126	32,790	127	33,580	133
P605	R2	295	33,992	115	36,960	125	39,750	135
	R3		33,785	115	38,670	131	39,910	136
	R4		34,728	120	35,430	122	36,800	127
	R5		34,681	121	35,130	122	36,750	128
P901	R2	199	27,147	137	28,470	143	30,430	154
	R3		26,982	135	29,040	146	31,350	157
	R5		27,698	141	29,020	146	29,350	149
P902	R2	245	32,512	133	35,070	144	38,090	156
	R3		32,314	132	35,600	145	38,970	159
	R5		33,171	137	33,740	138	35,150	145
P903	R2	282	37,007	131	39,380	140	42,990	152
	R3		36,782	130	39,540	140	43,580	154
	R5		37,758	134	37,860	134	40,010	142
P904	R2	319	40,420	127	43,410	137	47,220	148
	R3		40,175	126	43,600	137	48,170	151
	R5		41,240	132	41,420	132	43,700	140
P905	R2	369	44,573	121	48,390	132	52,380	142
	R3		44,303	120	48,560	132	53,940	146
	R5		45,477	128	45,390	127	48,190	136

Note: Individual fixture performance may vary. Specifications subject to change without notice.

ATB2	15C	20C	25C	30C	35C	40C
LLD Multiplier	1.02	1.01	1.00	0.99	0.98	0.97

To calculate the LLD for a temperature other than 25°C, multiply the LLD @ 25°C (shown in the performance package table) by the LLD multiplier for the selected temperature.



AEL Headquarters, 3825 Columbus Road, Granville, OH 43023
 www.americanelectricalighting.com
 © 2014-2022 Acuity Brands Lighting, Inc. All Rights Reserved. ATB2 Rev. 04/04/22

Warranty Five-year limited warranty. This is the only warranty provided and no other statements in this specification sheet create any warranty of any kind. All other express and implied warranties are disclaimed. Complete warranty terms located at: www.acuitybrands.com/support/customer-support/terms-and-conditions
 Actual performance may differ as a result of end-user environment and application. All values are design or typical values, measured under laboratory conditions at 25 °C. Specifications subject to change without notice.
Please contact your sales representative for the latest product information.

Autobahn Series ATB2

Roadway Lighting

PERFORMANCE PACKAGE

LLD @ 25°C

ATB2	R2, R3 Distributions 3000K & 4000K CCT			R2, R3 Distributions 2700K & 5000K CCT*			R4 & R5 Distributions Any CCT		
	50k Hours	75k Hours	100k Hours	50k Hours	75k Hours	100k Hours	50k Hours	75k Hours	100k Hours
P601	0.96	0.94	0.93	0.92	0.88	0.85	0.92	0.88	0.85
P602	0.96	0.94	0.93	0.92	0.88	0.85	0.92	0.88	0.85
P603	0.96	0.94	0.93	0.91	0.87	0.84	0.91	0.87	0.84
P604	0.96	0.94	0.93	0.91	0.87	0.83	0.91	0.87	0.83
P605	0.96	0.94	0.93	0.90	0.86	0.82	0.90	0.86	0.82
P901	0.96	0.94	0.93	0.91	0.88	0.84	0.91	0.88	0.84
P902	0.96	0.94	0.93	0.91	0.87	0.83	0.91	0.87	0.83
P903	0.96	0.94	0.93	0.90	0.86	0.82	0.90	0.86	0.82
P904	0.96	0.94	0.93	0.90	0.86	0.82	0.90	0.86	0.82
P905	0.96	0.94	0.93	0.89	0.84	0.79	0.89	0.84	0.79

* Also includes any custom (non-catalog) CCT



AEL Headquarters, 3825 Columbus Road, Granville, OH 43023
www.americanelectriclighting.com

© 2014-2022 Acuity Brands Lighting, Inc. All Rights Reserved. ATB2 Rev. 04/04/22

Warranty Five-year limited warranty. This is the only warranty provided and no other statements in this specification sheet create any warranty of any kind. All other express and implied warranties are disclaimed. Complete warranty terms located at: www.acuitybrands.com/support/customer-support/terms-and-conditions
Actual performance may differ as a result of end-user environment and application. All values are design or typical values, measured under laboratory conditions at 25 °C. Specifications subject to change without notice.

Please contact your sales representative for the latest product information.

Autobahn Series ATB2

Roadway Lighting

B.U.G. Ratings										
ATB2	Distribution	2700K			3000K			4000/5000K		
		B	U	G	B	U	G	B	U	G
P601	R2	3	0	3	3	0	3	3	0	3
	R3	3	0	3	3	0	3	3	0	4
	R4	3	0	4	3	0	4	3	0	4
	R5	5	0	3	5	0	3	5	0	3
P602	R2	3	0	3	3	0	3	3	0	3
	R3	3	0	3	3	0	4	3	0	4
	R4	3	0	4	3	0	4	3	0	4
	R5	5	0	3	5	0	3	5	0	3
P603	R2	3	0	3	3	0	3	4	0	4
	R3	3	0	4	3	0	4	3	0	4
	R4	3	0	5	3	0	5	3	0	5
	R5	5	0	4	5	0	4	5	0	4
P604	R2	3	0	3	4	0	4	4	0	4
	R3	3	0	4	3	0	4	3	0	4
	R4	3	0	5	3	0	5	3	0	5
	R5	5	0	4	5	0	4	5	0	4
P605	R2	4	0	4	4	0	4	4	0	4
	R3	3	0	4	3	0	4	3	0	4
	R4	3	0	5	3	0	5	4	0	5
	R5	5	0	4	5	0	4	5	0	4
P901	R2	3	0	3	3	0	3	3	0	3
	R3	3	0	4	3	0	4	3	0	4
	R5	5	0	3	5	0	4	5	0	4
P902	R2	4	0	4	4	0	4	4	0	4
	R3	3	0	4	3	0	4	3	0	4
	R5	5	0	4	5	0	4	5	0	4
P903	R2	4	0	4	4	0	4	4	0	4
	R3	3	0	4	3	0	4	4	0	5
	R5	5	0	4	5	0	4	5	0	4
P904	R2	4	0	4	4	0	4	4	0	4
	R3	3	0	4	4	0	5	4	0	5
	R5	5	0	4	5	0	4	5	0	4
P905	R2	4	0	4	4	0	4	4	0	5
	R3	4	0	5	4	0	5	4	0	5
	R5	5	0	5	5	0	5	5	0	5



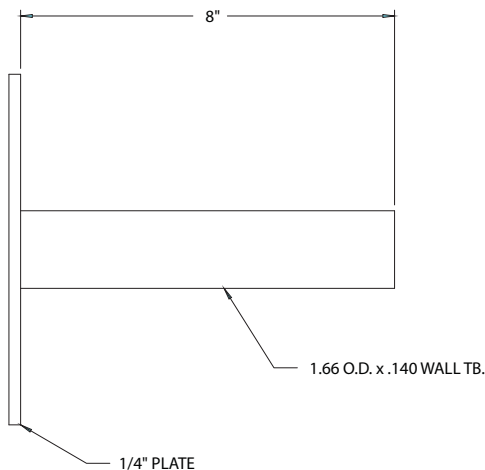
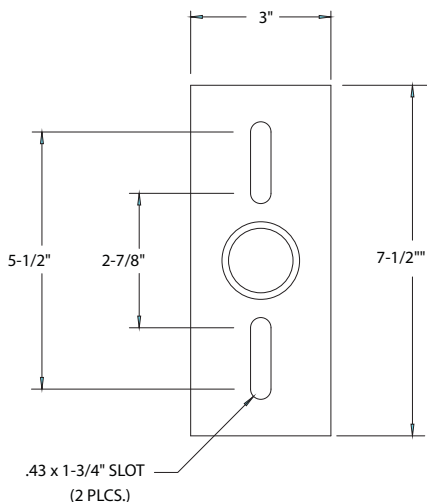
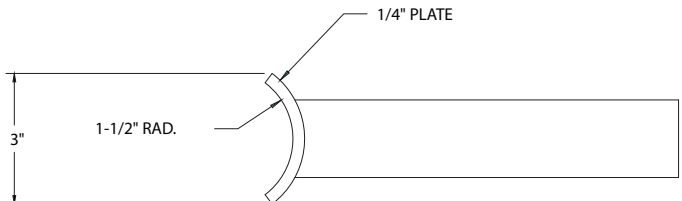
AEL Headquarters, 3825 Columbus Road, Granville, OH 43023
 www.americanelectriclighting.com
 © 2014-2022 Acuity Brands Lighting, Inc. All Rights Reserved. ATB2 Rev. 04/04/22

Warranty Five-year limited warranty. This is the only warranty provided and no other statements in this specification sheet create any warranty of any kind. All other express and implied warranties are disclaimed. Complete warranty terms located at: www.acuitybrands.com/support/customer-support/terms-and-conditions
 Actual performance may differ as a result of end-user environment and application. All values are design or typical values, measured under laboratory conditions at 25 °C. Specifications subject to change without notice.
 Please contact your sales representative for the latest product information.

Autobahn Series ATB2 Roadway Lighting

UMR POLE ADAPTOR

RECOMMENDED FOR USE WITH POLES OF 4" DIAMETER OR SMALLER



UMS POLE ADAPTOR



AEL Headquarters, 3825 Columbus Road, Granville, OH 43023
 www.americanelectriclighting.com
 © 2014-2022 Acuity Brands Lighting, Inc. All Rights Reserved. ATB2 Rev. 04/04/22

Warranty Five-year limited warranty. This is the only warranty provided and no other statements in this specification sheet create any warranty of any kind. All other express and implied warranties are disclaimed. Complete warranty terms located at: www.acuitybrands.com/support/customer-support/terms-and-conditions
 Actual performance may differ as a result of end-user environment and application. All values are design or typical values, measured under laboratory conditions at 25 °C. Specifications subject to change without notice.

Please contact your sales representative for the latest product information.

Catalog Number	HMLED4 P3 40K HVOLT HGR AW PR7 SH	
Notes		Type HIGH MAST

MGLEDM

Mongoose Medium LED



The Mongoose Medium LED offset roadway and area lighting product provides significant energy and maintenance savings vs. HID luminaires. It offers the ultimate in application flexibility with a uniquely designed advanced optical system and attractive appearance. This combined with multiple lighting distributions, mounting options and the ability to tilt the fixture offers unequal performance in a diverse set of applications ranging from interstates and parking lots.

Mechanical

- Rugged grade A360 diecast aluminum (<1% copper)
- Tool-less access with stainless steel latches
- Terminal block in arm
- Rigorous 5-stage pretreatment polyester topcoat to ensure maximum durability that achieves a scribe creepage rating of 8 after 5,000 hours of salt spray
- Removable "power tray" facilitates maintenance
- Corrosion resistant stainless-steel latches ensure secure closure over the long fixture life
- Horizontal mast arms or vertical tenon (VH) and universal mounting to round and square poles (UN) options
- Universal mount mates to all major manufacturer's hole patterns
- All Mountings are 3G vibration rated per ANSI C136.31
- Adjustable fixture tilt from 0-45 degrees provides flexibility to optimize lighting performance

Electrical

- Standard surge protection is 20kV/10kA "Extreme Level" per ANSI C136.2
- LED light engines are rated > 100,000 at 25°C, L70
- Electronic driver has an expected life of > 100,000 hours at 25°C
- Rated for -40°C / (-40°F) minimum ambient
- Programmable electronic driver with 0-10V control leads
- Driver voltage options: 120-277V 50/60 Hz and 347 50/60 Hz and 480V 50/60 Hz
- Luminaire ships with a 0-10v dimmable driver. Luminaire is continuous and step dimming capable via AO option or controls installed on P7 photocontrol receptacle option.

Optical

- Performance is comparable to 150-400 watt HPS or 175-1,000 watt MH
- IP66 rated borosilicate glass optics ensure longevity and minimize dirt depreciation
- IP66 rated optics

- Molded Silicone optics: Area (Type 5) (AR), Forward Throw (FT), Medium Roadway (MR), Narrow Roadway (NR) and Wide Roadway (WR)
- Borosilicate glass refractor optics: Area (AG), Forward Throw (FG), Medium Roadway (MG), Narrow Roadway (NG) and Wide Roadway (WG)
- 3000K, 4000K and 5000K CCT, 70 CRI
- Optional Uplight Skirt (US) when used with refractor ensures zero uplight above 90°
- House side shield (HSS), light trespass shield and option available
- Wire guard kit option available

Controls

- 7 pin NEMA photocontrol receptacle
- Premium solid-state locking-style photocontrol (PCSS) – 10 year rated life
- Extreme long life solid state locking-style photocontrol (PCLL) – 20 year rated life
- Field adjustable output
- nLight Air motion and daylight sensor
- Programmable motion and daylight sensor

Certification & Standards

- CSA Certified to US and Canadian standards
- Suitable for operation in an ambient temperature up to 40°C / 104°F for standard product
- Designlights Consortium® (DLC) qualified product. Not all versions of this product may be DLC qualified. Please check the DLC Qualified Products List at www.designlights.org/QPL to confirm which versions are qualified.

BUY AMERICAN

This product is assembled in the USA and meets the Buy America(n) government procurement requirements under FAR, DFARS and DOT. Please refer to www.acuitybrands.com/resources/buyamerican for additional information.

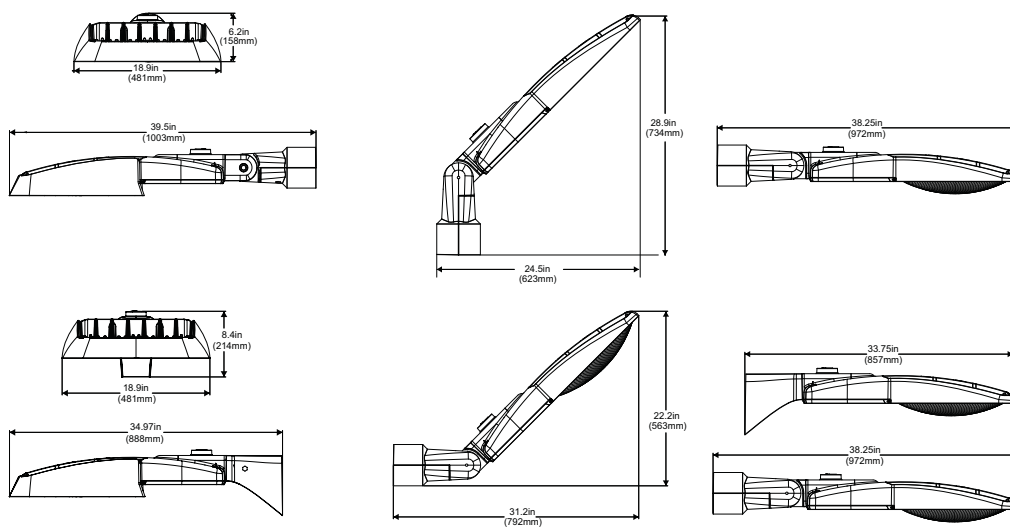
Warranty

5-year limited warranty. This is the only warranty provided and no other statements in this specification sheet create any warranty of any kind. All other express and implied warranties are disclaimed. Complete warranty terms located at: www.acuitybrands.com/support/warranty/terms-and-conditions

Note: Actual performance may differ as a result of end-user environment and application. All values are design or typical values, measured under laboratory conditions at 25°C



DIMENSIONAL DATA



Mounting/Optic	Tilt	Weight	EPA
VH	0°	35 lbs.	1.64 sq. ft.
VH with Refractor & US		44 lbs.	
VH	45°	35 lbs.	2.85 sq. ft.
VH with Refractor & US		44 lbs.	
UN	0°	31 lbs.	1.64 sq. ft.
UN with Refractor & US		38 lbs.	

ORDERING INFORMATION

Example: MGLEDM P2 40K MVOLT FT UN GRSD

HMLED4	P3	40K	HVOLT	HGR
Series	LED performance package	Color temperature	Voltage	Optics
MGLEDM Mongoose Medium	P1 15,400 Lumens P2 19,000 Lumens P3 22,400 Lumens P4 25,800 Lumens P5 28,900 Lumens P6 31,900 Lumens P7 35,100 Lumens P8 38,000 Lumens	30K 3,000 K CCT 40K 4,000 K CCT 50K 5,000 K CCT	MVOLT Auto-sensing voltage (120 thru 277) 347 347 Volt 480 480 Volt	AG Area with Refractor AR Area FG Forward Throw with Refractor FT Forward Throw MG Medium Roadway with Refractor MR Medium Roadway NG Narrow Roadway with Refractor NR Narrow Roadway WG Wide Roadway with Refractor WR Wide Roadway

VH	GRSD	PR7 SH NL
Mounting	Super Durable Paint	Options
VH Vertical Tenon/ Horizontal Arm UN Universal (Rd. & Sq)	GRSD Vitraccoat Gray GHSD Vitraccoat Graphite BKSD Vitraccoat Black GNSD Vitraccoat Green WHSD Vitraccoat White BZSD Vitraccoat Bronze	<p><u>Adjustable/Programmable Options</u></p> <p>AO Field Adjustable Output</p> <p><u>Control Options</u></p> <p>PCLL DTL Extreme Long Life Twistlock Photocontrol for Solid State (20 year rated life)</p> <p>PCSS DSS Premium Twistlock Photocontrol for Solid State (10 year rated life)</p> <p>POC2¹ Programmable occ. and daylight sensor, for mounting applications up to 20'</p> <p>POC4¹ Programmable occ. and daylight sensor, for mounting applications between 20' & 40'</p> <p>RSDGR nLight Air Occ. and daylight sensor</p> <p><u>NEMA Label Options</u></p> <p>NL² NEMA LABEL</p> <p><u>NEMA Receptacle Options</u></p> <p>PR7 7-pin Photocontrol Receptacle</p> <p><u>Shielding Options</u></p> <p>US Uplight Skirt HSS House Side Shield</p> <p><u>Shorting Cap Option</u></p> <p>SH SHORTING CAP</p>

Accessories: Order as separate catalog number.	
<u>Wire Guard Kit</u>	
MGLEDM WG	Mongoose Medium Wire Guard Kit
<u>Light Trespass Shield</u>	
MGLEDM LTS	Mongoose Medium Light Trespass Shield
<u>Uplight Skirt</u>	
MGLEDM US GRSD	Mongoose Medium Uplight Skirt, Vitraccoat Gray
MGLEDM US GHSD	Mongoose Medium Uplight Skirt, Vitraccoat Graphite
MGLEDM US BKSD	Mongoose Medium Uplight Skirt, Vitraccoat Black
MGLEDM US GNSD	Mongoose Medium Uplight Skirt, Vitraccoat Green
MGLEDM US WHSD	Mongoose Medium Uplight Skirt, Vitraccoat White
MGLEDM US BZSD	Mongoose Medium Uplight Skirt, Vitraccoat Bronze
<u>House Side Shield</u>	
MGLEDM HSS	Mongoose Medium House Side Shield

Notes

- For custom programming of the sensor, a wireless handheld configuration tool, Part No. FSIR-100 should be purchased, either from Legrand, or from Acuity (by special request).
- NL not available with POC2, POC4 or RSDGR.

MOUNTING OPTIONS



Vertical Tenon/Horizontal Arm Mount – VH

Attaches to 2" vertical tenon or horizontal mast arm (2 3/8" O.D.)



Universal Mount – UN

Attaches to square or 3" minimum round pole



OPTIONS MATRIX

Mounting	SELECTED OPTION (start here)								
	AO	PR7	PCLL	PCSS	POC2	POC4	RSDGR	SH	
Controls	AO		Y	Y	Y	N	N	N	Y
	PR7	Y		Y	Y	N	N	N	Y
	PCLL	Y	Y		N	N	N	N	N
	PCSS	Y	Y	N		N	N	N	N
	POC2	N	N	N	N		N	N	N
	POC4	N	N	N	N	N		N	N
	RSDGR	N	N	N	N	N	N		N
Voltage	SH	Y	Y	N	N	N	N	N	
	MVOLT	Y	Y	Y	Y	Y	Y	Y	Y
	347	Y	Y	Y	N	Y	Y	Y	Y
Performance Packages	480	Y	Y	Y	N	Y	Y	Y	Y
	P1	Y	Y	Y	Y	Y	Y	Y	Y
	P2	Y	Y	Y	Y	Y	Y	Y	Y
	P3	Y	Y	Y	Y	Y	Y	Y	Y
	P4	Y	Y	Y	Y	Y	Y	Y	Y
	P5	Y	Y	Y	Y	Y	Y	Y	Y
	P6	Y	Y	Y	Y	Y	Y	Y	Y
	P7	Y	Y	Y	Y	Y	Y	Y	Y
P8	Y	Y	Y	Y	Y	Y	Y	Y	

Y = Valid Option Combination
 N = Combination Not available

LUMEN AMBIENT TEMPERATURE (LAT) MULTIPLIERS

Use these factors to determine relative lumen output for average ambient temperatures from 0-40°C (32-104°F).

Temperature		Ambient Temperature (°C) Lumen Multiplier							
°C	°F	P1	P2	P3	P4	P5	P6	P7	P8
0	32	1.03	1.03	1.03	1.03	1.04	1.04	1.04	1.05
5	41	1.02	1.02	1.03	1.03	1.03	1.03	1.03	1.04
10	50	1.02	1.02	1.02	1.02	1.02	1.02	1.03	1.03
15	59	1.01	1.01	1.01	1.01	1.02	1.02	1.02	1.02
20	68	1.01	1.01	1.01	1.01	1.01	1.01	1.01	1.01
25	77	1.00	1.00	1.00	1.00	1.00	1.00	1.00	1.00

PERFORMANCE DATA

Performance Package	Distribution	Input Watts	30K (3000K CCT, 70 CRI)					40K (4000K CCT, 70 CRI)					50K (5000K CCT, 70 CRI)					LLD @ 25°C		
			Lumens	LPW	B	U	G	Lumens	LPW	B	U	G	Lumens	LPW	B	U	G	50k Hours	75k Hours	100k Hours
P1	AG	105	15,680	149	4	2	2	16,129	154	4	2	2	16,329	156	4	2	2	0.97	0.97	0.96
	AR		16,915	161	4	0	2	17,400	166	4	0	2	17,616	168	4	0	2			
	FG		14,519	138	2	3	3	14,935	142	2	3	3	15,120	144	3	3	3			
	FT		15,763	150	2	0	3	16,215	154	2	0	3	16,416	156	2	0	3			
	MG		15,064	143	2	2	2	15,496	148	2	2	2	15,687	149	3	2	2			
	MR		16,193	154	2	0	2	16,657	159	3	0	3	16,863	161	3	0	3			
	NG		15,292	146	3	2	2	15,731	150	3	2	2	15,925	152	3	2	2			
	NR		16,326	155	3	0	2	16,794	160	3	0	2	17,002	162	3	0	2			
	WG		14,577	139	3	2	3	14,994	143	3	2	3	15,180	145	3	2	3			
	WR		15,746	150	3	0	3	16,198	154	3	0	3	16,398	156	3	0	3			
P2	AG	126	19,225	153	4	2	2	19,776	157	4	2	2	20,021	159	4	3	2	0.97	0.97	0.96
	AR		20,740	165	4	0	2	21,335	169	4	0	2	21,599	171	4	0	2			
	FG		17,802	141	3	3	3	18,313	145	3	3	4	18,539	147	3	3	4			
	FT		19,328	153	3	0	4	19,882	158	3	0	4	20,128	160	3	0	4			
	MG		18,470	147	3	2	3	19,000	151	3	2	3	19,235	153	3	2	3			
	MR		19,854	158	3	0	3	20,423	162	3	0	3	20,676	164	3	0	3			
	NG		18,750	149	3	2	2	19,288	153	3	2	2	19,527	155	3	2	3			
	NR		20,018	159	3	0	2	20,592	163	3	0	2	20,847	165	3	0	2			
	WG		17,873	142	3	3	3	18,385	146	3	3	3	18,613	148	3	3	3			
	WR		19,307	153	3	0	3	19,860	158	3	0	3	20,106	160	3	0	3			
P3	AG	155	22,726	147	4	3	2	23,377	151	4	3	2	23,667	153	4	3	2	0.97	0.96	0.96
	AR		24,517	158	4	0	2	25,219	163	5	0	3	25,532	165	5	0	3			
	FG		21,044	136	3	3	4	21,647	140	3	3	4	21,915	141	3	3	4			
	FT		22,847	147	3	0	4	23,502	152	3	0	4	23,793	154	3	0	4			
	MG		21,833	141	3	3	3	22,459	145	3	3	3	22,737	147	3	3	3			
	MR		23,469	151	3	0	3	24,142	156	3	0	3	24,441	158	3	0	3			
	NG		22,164	143	3	2	3	22,799	147	3	2	3	23,082	149	3	2	3			
	NR		23,663	153	3	0	3	24,341	157	3	0	3	24,643	159	3	0	3			
	WG		21,127	136	3	3	3	21,732	140	3	3	3	22,001	142	3	3	3			
	WR		22,822	147	3	0	3	23,476	151	3	0	3	23,767	153	3	0	3			
P4	AG	180	26,107	145	4	3	2	26,855	149	4	3	2	27,188	151	4	3	2	0.97	0.96	0.95
	AR		28,164	156	5	0	3	28,972	161	5	0	3	29,330	163	5	0	3			
	FG		24,175	134	3	3	4	24,868	138	3	3	4	25,176	140	3	3	4			
	FT		26,246	146	3	0	5	26,998	150	3	0	5	27,333	152	3	0	5			
	MG		25,082	139	3	3	3	25,800	143	3	3	3	26,120	145	3	3	3			
	MR		26,961	150	3	0	3	27,734	154	3	0	3	28,077	156	3	0	3			
	NG		25,462	141	3	3	3	26,192	146	3	3	3	26,516	147	3	3	3			
	NR		27,184	151	3	0	3	27,963	155	3	0	3	28,309	157	3	0	3			
	WG		24,270	135	3	3	3	24,966	139	3	3	3	25,275	140	3	3	3			
	WR		26,218	146	3	0	3	26,969	150	3	0	3	27,303	152	3	0	3			

PERFORMANCE DATA (continued)

Performance Package	Distribution	Input Watts	30K (3000K CCT, 70 CRI)					40K (4000K CCT, 70 CRI)					50K (5000K CCT, 70 CRI)					LLD @ 25°C		
			Lumens	LPW	B	U	G	Lumens	LPW	B	U	G	Lumens	LPW	B	U	G	50k Hours	75k Hours	100k Hours
P5	AG	206	29,340	142	4	3	2	30,181	147	5	3	3	30,555	148	5	3	3	0.96	0.96	0.95
	AR		31,653	154	5	0	3	32,560	158	5	0	3	32,963	160	5	0	3			
	FG		27,169	132	3	3	5	27,947	136	3	3	5	28,294	137	3	3	5			
	FT		29,497	143	3	0	5	30,342	147	3	0	5	30,718	149	3	0	5			
	MG		28,188	137	3	3	3	28,996	141	3	3	3	29,355	143	3	3	3			
	MR		30,300	147	3	0	3	31,169	151	3	0	3	31,555	153	3	0	3			
	NG		28,615	139	4	3	3	29,436	143	4	3	3	29,800	145	4	3	3			
	NR		30,550	148	4	0	3	31,426	153	4	0	3	31,815	154	4	0	3			
	WG		27,276	132	3	3	3	28,058	136	3	3	3	28,405	138	3	3	3			
	WR		29,465	143	3	0	3	30,309	147	3	0	3	30,685	149	3	0	3			
P6	AG	230	32,375	141	5	3	3	33,303	145	5	3	3	33,715	147	5	3	3	0.96	0.95	0.94
	AR		34,926	152	5	0	3	35,927	156	5	0	3	36,372	158	5	0	3			
	FG		29,978	130	3	3	5	30,838	134	3	3	5	31,220	136	3	3	5			
	FT		32,547	142	3	0	5	33,480	146	3	0	5	33,894	147	3	0	5			
	MG		31,103	135	3	3	3	31,995	139	3	3	3	32,391	141	3	3	3			
	MR		33,434	145	3	0	4	34,392	150	3	0	4	34,818	151	3	0	4			
	NG		31,575	137	4	3	3	32,480	141	4	3	3	32,882	143	4	3	3			
	NR		33,710	147	4	0	3	34,676	151	4	0	3	35,105	153	4	0	3			
	WG		30,097	131	4	3	4	30,960	135	4	3	4	31,343	136	4	3	4			
	WR		32,512	141	3	0	4	33,444	145	3	0	4	33,858	147	4	0	4			
P7	AG	255	35,515	139	5	3	3	36,533	143	5	3	3	36,986	145	5	3	3	0.96	0.95	0.93
	AR		38,314	150	5	0	4	39,412	155	5	0	4	39,900	156	5	0	4			
	FG		32,886	129	3	3	5	33,829	133	4	3	5	34,248	134	4	3	5			
	FT		35,704	140	3	0	5	36,728	144	4	0	5	37,183	146	4	0	5			
	MG		34,120	134	3	3	3	35,098	138	3	3	3	35,533	139	4	3	3			
	MR		36,677	144	3	0	4	37,728	148	3	0	4	38,195	150	3	0	4			
	NG		34,638	136	4	3	3	35,630	140	4	3	3	36,072	141	4	3	3			
	NR		36,980	145	4	0	3	38,040	149	4	0	3	38,511	151	4	0	3			
	WG		33,017	129	4	3	4	33,963	133	4	3	4	34,383	135	4	3	4			
	WR		35,666	140	4	0	4	36,688	144	4	0	4	37,142	146	4	0	4			
P8	AG	280	38,510	138	5	3	3	39,614	141	5	3	3	40,104	143	5	3	3	0.95	0.93	0.92
	AR		41,545	148	5	0	4	42,735	153	5	0	4	43,265	155	5	0	4			
	FG		35,659	127	4	3	5	36,681	131	4	3	5	37,136	133	4	3	5			
	FT		38,715	138	4	0	5	39,824	142	4	0	5	40,318	144	4	0	5			
	MG		36,997	132	4	3	3	38,058	136	4	3	3	38,529	138	4	3	3			
	MR		39,770	142	4	0	4	40,909	146	4	0	4	41,416	148	4	0	4			
	NG		37,558	134	4	3	3	38,635	138	4	3	3	39,113	140	4	3	3			
	NR		40,098	143	4	0	3	41,247	147	4	0	3	41,758	149	4	0	3			
	WG		35,800	128	4	3	4	36,827	132	4	3	4	37,283	133	4	3	4			
	WR		38,673	138	4	0	4	39,782	142	4	0	4	40,274	144	4	0	4			

PERFORMANCE DATA — SKIRT OPTION

Performance Package	Distribution	Input Watts	30K (3000K CCT, 70 CRI)					40K (4000K CCT, 70 CRI)					50K (5000K CCT, 70 CRI)					LLD @ 25°C		
			Lumens	LPW	B	U	G	Lumens	LPW	B	U	G	Lumens	LPW	B	U	G	50k Hours	75k Hours	100k Hours
P1	AG	105	14,813	141	3	0	2	15,237	145	3	0	2	15,426	147	3	0	2	0.97	0.97	0.96
	AR		16,041	153	4	0	2	16,500	157	4	0	2	16,705	159	4	0	2			
	FG		13,647	130	3	0	2	14,038	134	3	0	2	14,212	135	3	0	2			
	FT		14,662	140	2	0	2	15,082	144	2	0	2	15,269	145	2	0	2			
	MG		14,623	139	2	0	2	15,042	143	3	0	2	15,228	145	3	0	2			
	MR		15,485	147	2	0	2	15,928	152	2	0	2	16,126	154	2	0	2			
	NG		14,965	143	3	0	2	15,394	147	3	0	2	15,585	148	3	0	2			
	NR		15,868	151	3	0	2	16,323	155	3	0	2	16,525	157	3	0	2			
	WG		13,943	133	3	0	2	14,343	137	3	0	2	14,521	138	3	0	2			
	WR		14,571	139	3	0	2	14,989	143	3	0	2	15,174	145	3	0	2			
P2	AG	126	18,162	144	4	0	2	18,683	148	4	0	2	18,914	150	4	0	2	0.97	0.97	0.96
	AR		19,668	156	4	0	2	20,232	161	4	0	2	20,482	163	4	0	2			
	FG		16,733	133	3	0	2	17,212	137	3	0	2	17,426	138	3	0	2			
	FT		17,978	143	3	0	3	18,493	147	3	0	3	18,722	149	3	0	3			
	MG		17,929	142	3	0	2	18,443	146	3	0	2	18,672	148	3	0	2			
	MR		18,986	151	3	0	2	19,530	155	3	0	3	19,772	157	3	0	3			
	NG		18,349	146	3	0	2	18,875	150	3	0	2	19,109	152	3	0	2			
	NR		19,456	154	3	0	2	20,014	159	3	0	2	20,262	161	3	0	2			
	WG		17,097	136	3	0	3	17,587	140	3	0	3	17,804	141	3	0	3			
	WR		17,866	142	3	0	2	18,378	146	3	0	3	18,606	148	3	0	3			
P3	AG	155	21,469	139	4	0	2	22,084	142	4	0	2	22,358	144	4	0	2	0.97	0.96	0.96
	AR		23,249	150	4	0	2	23,915	154	4	0	2	24,211	156	4	0	2			
	FG		19,779	128	3	0	2	20,346	131	3	0	3	20,598	133	3	0	3			
	FT		21,251	137	3	0	3	21,860	141	3	0	3	22,131	143	3	0	3			
	MG		21,194	137	3	0	3	21,801	141	3	0	3	22,071	142	3	0	3			
	MR		22,443	145	3	0	3	23,086	149	3	0	3	23,372	151	3	0	3			
	NG		21,690	140	3	0	2	22,312	144	3	0	2	22,588	146	3	0	2			
	NR		22,999	148	3	0	2	23,658	153	3	0	2	23,951	155	3	0	2			
	WG		20,209	130	3	0	3	20,788	134	3	0	3	21,046	136	3	0	3			
	WR		21,119	136	3	0	3	21,724	140	3	0	3	21,993	142	3	0	3			
P4	AG	180	24,663	137	4	0	2	25,370	141	4	0	2	25,685	143	4	0	2	0.97	0.96	0.95
	AR		26,708	148	4	0	2	27,474	153	4	0	2	27,814	155	4	0	2			
	FG		22,722	126	3	0	3	23,374	130	3	0	3	23,663	131	3	0	3			
	FT		24,413	136	3	0	3	25,113	140	3	0	3	25,424	141	3	0	3			
	MG		24,347	135	3	0	3	25,045	139	3	0	3	25,355	141	3	0	3			
	MR		25,782	143	3	0	3	26,521	147	3	0	3	26,850	149	3	0	3			
	NG		24,917	138	3	0	2	25,631	142	3	0	2	25,949	144	4	0	2			
	NR		26,421	147	3	0	2	27,178	151	3	0	2	27,515	153	3	0	2			
	WG		23,216	129	3	0	3	23,882	133	3	0	3	24,177	134	3	0	3			
	WR		24,261	135	3	0	3	24,957	139	3	0	3	25,266	140	3	0	3			

PERFORMANCE DATA — UPLIGHT SKIRT OPTION (continued)

Performance Package	Distribution	Input Watts	30K (3000K CCT, 70 CRI)					40K (4000K CCT, 70 CRI)					50K (5000K CCT, 70 CRI)					LLD @ 25°C		
			Lumens	LPW	B	U	G	Lumens	LPW	B	U	G	Lumens	LPW	B	U	G	50k Hours	75k Hours	100k Hours
P5	AG	206	27,718	135	4	0	2	28,513	138	4	0	2	28,866	140	4	0	2	0.96	0.96	0.95
	AR		30,016	146	5	0	3	30,876	150	5	0	3	31,259	152	5	0	3			
	FG		25,536	124	3	0	3	26,268	128	3	0	3	26,594	129	3	0	3			
	FT		27,437	133	3	0	4	28,223	137	3	0	4	28,572	139	3	0	4			
	MG		27,362	133	3	0	3	28,147	137	3	0	3	28,495	138	3	0	3			
	MR		28,975	141	3	0	3	29,806	145	3	0	3	30,175	146	3	0	3			
	NG		28,003	136	4	0	2	28,806	140	4	0	2	29,163	142	4	0	2			
	NR		29,693	144	4	0	2	30,544	148	4	0	2	30,922	150	4	0	2			
	WG		26,091	127	3	0	3	26,839	130	3	0	3	27,172	132	3	0	3			
	WR		27,266	132	3	0	3	28,048	136	3	0	3	28,395	138	3	0	3			
P6	AG	230	30,585	133	5	0	2	31,461	137	5	0	2	31,851	138	5	0	2	0.96	0.95	0.94
	AR		33,120	144	5	0	3	34,069	148	5	0	3	34,491	150	5	0	3			
	FG		28,177	123	3	0	3	28,985	126	3	0	3	29,344	128	3	0	3			
	FT		30,274	132	3	0	4	31,142	135	3	0	4	31,527	137	3	0	4			
	MG		30,192	131	3	0	3	31,058	135	3	0	3	31,442	137	3	0	3			
	MR		31,972	139	3	0	3	32,888	143	3	0	3	33,296	145	3	0	3			
	NG		30,899	134	4	0	2	31,785	138	4	0	2	32,178	140	4	0	2			
	NR		32,764	142	4	0	2	33,703	147	4	0	3	34,120	148	4	0	3			
	WG		28,790	125	4	0	3	29,615	129	4	0	3	29,982	130	4	0	3			
	WR		30,086	131	3	0	3	30,948	135	3	0	3	31,331	136	4	0	3			
P7	AG	255	33,551	132	5	0	3	34,513	135	5	0	3	34,941	137	5	0	3	0.96	0.95	0.93
	AR		36,333	142	5	0	3	37,374	147	5	0	3	37,837	148	5	0	3			
	FG		30,911	121	4	0	4	31,797	125	4	0	4	32,190	126	4	0	4			
	FT		33,211	130	4	0	4	34,163	134	4	0	4	34,586	136	4	0	4			
	MG		33,121	130	4	0	3	34,070	134	4	0	3	34,492	135	4	0	3			
	MR		35,073	138	3	0	3	36,079	141	4	0	3	36,526	143	4	0	3			
	NG		33,897	133	4	0	2	34,868	137	4	0	3	35,300	138	4	0	3			
	NR		35,942	141	4	0	3	36,972	145	4	0	3	37,430	147	4	0	3			
	WG		31,582	124	4	0	3	32,488	127	4	0	3	32,890	129	4	0	3			
	WR		33,004	129	4	0	3	33,950	133	4	0	3	34,371	135	4	0	3			
P8	AG	280	36,380	130	5	0	3	37,423	134	5	0	3	37,887	135	5	0	3	0.95	0.93	0.92
	AR		39,396	141	5	0	3	40,526	145	5	0	3	41,027	147	5	0	3			
	FG		33,517	120	4	0	4	34,478	123	4	0	4	34,905	125	4	0	4			
	FT		36,011	129	4	0	4	37,043	132	4	0	4	37,502	134	4	0	4			
	MG		35,914	128	4	0	3	36,943	132	4	0	3	37,401	134	4	0	3			
	MR		38,031	136	4	0	4	39,121	140	4	0	4	39,605	141	4	0	4			
	NG		36,755	131	4	0	3	37,808	135	4	0	3	38,276	137	4	0	3			
	NR		38,972	139	4	0	3	40,089	143	4	0	3	40,586	145	4	0	3			
	WG		34,245	122	4	0	3	35,227	126	4	0	3	35,663	127	4	0	3			
	WR		35,787	128	4	0	4	36,813	131	4	0	4	37,269	133	4	0	4			

PERFORMANCE DATA — HOUSE SIDE SHIELD OPTION

Performance Package	Distribution	Input Watts	30K (3000K CCT, 70 CRI)					40K (4000K CCT, 70 CRI)					50K (5000K CCT, 70 CRI)					LLD @ 25°C		
			Lumens	LPW	B	U	G	Lumens	LPW	B	U	G	Lumens	LPW	B	U	G	50k Hours	75k Hours	100k Hours
P1	AG	105	6,999	67	1	2	2	7,199	69	1	2	2	7,288	69	1	2	2	0.97	0.97	0.96
	AR		9,980	95	1	2	2	10,266	98	1	2	2	10,393	99	1	2	2			
	FG		9,965	95	1	2	3	10,251	98	1	2	3	10,378	99	1	2	3			
	FT		11,584	110	1	2	3	11,916	113	1	2	3	12,064	115	1	2	3			
	MG		11,335	108	1	2	2	11,660	111	1	2	2	11,804	112	1	2	2			
	MR		12,900	123	1	2	2	13,270	126	1	2	2	13,435	128	1	2	2			
	NG		13,205	126	1	2	2	13,584	129	1	2	2	13,752	131	1	2	2			
	NR		13,221	126	1	2	2	13,599	130	1	2	2	13,768	131	1	2	2			
	WG		10,624	101	1	2	2	10,928	104	1	2	2	11,064	105	1	2	2			
	WR		12,269	117	2	2	3	12,621	120	2	2	3	12,777	122	2	2	3			
P2	AG	126	8,581	68	1	2	2	8,827	70	1	2	2	8,937	71	1	2	2	0.97	0.97	0.96
	AR		12,237	97	1	2	2	12,588	100	1	2	2	12,743	101	1	2	2			
	FG		12,219	97	1	3	3	12,569	100	1	3	3	12,725	101	1	3	3			
	FT		14,204	113	1	2	3	14,611	116	1	3	3	14,792	117	1	3	3			
	MG		13,898	110	1	2	2	14,297	113	1	2	2	14,474	115	1	2	2			
	MR		15,818	126	2	2	2	16,271	129	2	2	2	16,473	131	2	2	2			
	NG		16,191	129	1	2	3	16,655	132	1	2	3	16,861	134	1	2	3			
	NR		16,210	129	1	2	3	16,675	132	1	2	3	16,881	134	1	2	3			
	WG		13,026	103	1	2	3	13,400	106	2	2	3	13,566	108	2	2	3			
	WR		15,043	119	2	2	3	15,475	123	2	2	3	15,666	124	2	2	3			
P3	AG	155	10,144	65	1	2	2	10,434	67	1	2	2	10,564	68	1	2	2	0.97	0.96	0.96
	AR		14,465	93	1	2	3	14,879	96	1	2	3	15,064	97	1	2	3			
	FG		14,443	93	1	3	3	14,857	96	1	3	3	15,041	97	1	3	3			
	FT		16,790	108	1	3	3	17,271	111	1	3	3	17,485	113	1	3	3			
	MG		16,429	106	2	2	2	16,900	109	2	2	3	17,109	110	2	2	3			
	MR		18,698	121	2	2	3	19,233	124	2	2	3	19,472	126	2	2	3			
	NG		19,139	123	2	2	3	19,688	127	2	3	3	19,931	129	2	3	3			
	NR		19,161	124	1	2	3	19,711	127	1	2	3	19,955	129	1	2	3			
	WG		15,398	99	2	2	3	15,839	102	2	3	3	16,035	103	2	3	3			
	WR		17,782	115	2	2	3	18,292	118	2	2	3	18,518	119	2	2	3			
P4	AG	180	11,653	65	1	2	2	11,987	67	1	2	2	12,135	67	1	2	2	0.97	0.96	0.95
	AR		16,617	92	1	2	3	17,093	95	1	2	3	17,305	96	1	2	3			
	FG		16,592	92	1	3	3	17,068	95	1	3	3	17,279	96	1	3	3			
	FT		19,288	107	1	3	4	19,841	110	1	3	4	20,086	112	1	3	4			
	MG		18,873	105	2	3	3	19,414	108	2	3	3	19,655	109	2	3	3			
	MR		21,480	119	2	2	3	22,095	123	2	2	3	22,369	124	2	2	3			
	NG		21,987	122	2	3	3	22,617	126	2	3	3	22,897	127	2	3	3			
	NR		22,012	122	2	2	3	22,643	126	2	2	3	22,924	127	2	2	3			
	WG		17,689	98	2	3	3	18,196	101	2	3	3	18,421	102	2	3	3			
	WR		20,428	113	2	2	3	21,014	117	2	2	3	21,274	118	2	2	3			

PERFORMANCE DATA — HOUSE SIDE SHIELD OPTION (continued)

Performance Package	Distribution	Input Watts	30K (3000K CCT, 70 CRI)					40K (4000K CCT, 70 CRI)					50K (5000K CCT, 70 CRI)					LLD @ 25°C		
			Lumens	LPW	B	U	G	Lumens	LPW	B	U	G	Lumens	LPW	B	U	G	50k Hours	75k Hours	100k Hours
P5	AG	206	13,096	64	1	2	2	13,472	65	1	2	2	13,638	66	1	2	2	0.96	0.96	0.95
	AR		18,675	91	1	3	3	19,210	93	1	3	3	19,448	94	1	3	3			
	FG		18,647	91	1	3	4	19,182	93	1	3	4	19,419	94	1	3	4			
	FT		21,677	105	1	3	4	22,298	108	1	3	4	22,574	110	1	3	4			
	MG		21,211	103	2	3	3	21,819	106	2	3	3	22,089	107	2	3	3			
	MR		24,140	117	2	2	3	24,832	121	2	2	3	25,139	122	2	2	3			
	NG		24,710	120	2	3	3	25,418	123	2	3	3	25,733	125	2	3	3			
	NR		24,739	120	2	3	3	25,448	124	2	3	3	25,763	125	2	3	3			
	WG		19,880	97	2	3	3	20,450	99	2	3	3	20,703	101	2	3	3			
	WR		22,958	111	2	2	3	23,616	115	2	2	3	23,909	116	3	2	3			
P6	AG	230	14,451	63	1	3	3	14,865	65	1	3	3	15,049	65	1	3	3	0.96	0.95	0.94
	AR		20,606	90	1	3	3	21,197	92	1	3	3	21,459	93	1	3	4			
	FG		20,576	89	1	3	4	21,165	92	1	3	4	21,428	93	1	3	4			
	FT		23,918	104	1	3	4	24,604	107	1	3	4	24,909	108	1	3	4			
	MG		23,404	102	2	3	3	24,075	105	2	3	3	24,373	106	2	3	3			
	MR		26,636	116	2	2	3	27,400	119	2	2	3	27,739	121	2	2	4			
	NG		27,265	119	2	3	3	28,047	122	2	3	3	28,394	123	2	3	3			
	NR		27,297	119	2	3	3	28,079	122	2	3	3	28,427	124	2	3	3			
	WG		21,936	95	2	3	3	22,564	98	2	3	3	22,844	99	2	3	3			
	WR		25,332	110	3	2	3	26,058	113	3	2	3	26,381	115	3	2	4			
P7	AG	255	15,852	62	1	3	3	16,307	64	1	3	3	16,509	65	1	3	3	0.96	0.95	0.93
	AR		22,605	89	1	3	4	23,253	91	1	3	4	23,541	92	1	3	4			
	FG		22,572	89	2	3	4	23,219	91	2	3	4	23,506	92	2	3	4			
	FT		26,239	103	1	3	4	26,991	106	1	3	4	27,325	107	2	3	4			
	MG		25,675	101	2	3	3	26,411	104	2	3	3	26,738	105	2	3	3			
	MR		29,220	115	2	3	4	30,058	118	3	3	4	30,430	119	3	3	4			
	NG		29,910	117	2	3	3	30,767	121	2	3	3	31,148	122	2	3	3			
	NR		29,945	117	2	3	3	30,803	121	2	3	3	31,185	122	2	3	3			
	WG		24,063	94	2	3	3	24,753	97	2	3	3	25,060	98	2	3	3			
	WR		27,790	109	3	3	4	28,586	112	3	3	4	28,940	113	3	3	4			
P8	AG	280	17,189	61	1	3	3	17,682	63	1	3	3	17,901	64	1	3	3	0.95	0.93	0.92
	AR		24,511	88	1	3	4	25,214	90	1	3	4	25,526	91	1	3	4			
	FG		24,475	87	2	3	4	25,176	90	2	3	4	25,488	91	2	3	4			
	FT		28,451	102	2	3	4	29,266	105	2	3	4	29,629	106	2	3	4			
	MG		27,840	99	2	3	3	28,638	102	2	3	3	28,992	104	2	3	3			
	MR		31,684	113	3	3	4	32,592	116	3	3	4	32,996	118	3	3	4			
	NG		32,432	116	2	3	3	33,362	119	2	3	4	33,775	121	2	3	4			
	NR		32,470	116	2	3	3	33,401	119	2	3	3	33,814	121	2	3	3			
	WG		26,092	93	2	3	3	26,840	96	3	3	4	27,173	97	3	3	4			
	WR		30,133	108	3	3	4	30,996	111	3	3	4	31,380	112	3	3	4			

PERFORMANCE DATA — UPLIGHT SKIRT + HOUSE SIDE SHIELD OPTION

Performance Package	Distribution	Input Watts	30K (3000K CCT, 70 CRI)					40K (4000K CCT, 70 CRI)					50K (5000K CCT, 70 CRI)					LLD @ 25°C		
			Lumens	LPW	B	U	G	Lumens	LPW	B	U	G	Lumens	LPW	B	U	G	50k Hours	75k Hours	100k Hours
P1	AG	105	8,036	77	1	0	2	8,266	79	1	0	2	8,368	80	1	0	2	0.97	0.97	0.96
	AR		9,275	88	1	0	2	9,541	91	1	0	2	9,659	92	1	0	2			
	FG		8,948	85	1	0	2	9,204	88	1	0	2	9,318	89	1	0	2			
	FT		10,422	99	1	0	2	10,720	102	1	0	2	10,853	103	1	0	2			
	MG		10,580	101	1	0	2	10,884	104	1	0	2	11,018	105	1	0	2			
	MR		12,257	117	1	0	2	12,609	120	1	0	2	12,765	122	1	0	2			
	NG		11,030	105	1	0	2	11,347	108	1	0	2	11,487	109	1	0	2			
	NR		12,554	120	1	0	2	12,914	123	1	0	2	13,074	125	1	0	2			
	WG		9,525	91	1	0	2	9,798	93	1	0	2	9,919	94	1	0	2			
	WR		10,983	105	1	0	2	11,298	108	1	0	2	11,438	109	1	0	2			
P2	AG	126	9,853	78	1	0	2	10,135	80	1	0	2	10,261	81	1	0	2	0.97	0.97	0.96
	AR		11,373	90	1	0	2	11,699	93	1	0	2	11,844	94	1	0	2			
	FG		10,971	87	1	0	2	11,286	90	1	0	2	11,425	91	1	0	2			
	FT		12,778	101	1	0	2	13,145	104	1	0	2	13,307	106	1	0	2			
	MG		12,973	103	1	0	2	13,345	106	1	0	2	13,510	107	1	0	2			
	MR		15,029	119	1	0	2	15,460	123	1	0	2	15,651	124	1	0	2			
	NG		13,525	107	1	0	2	13,912	110	1	0	2	14,085	112	1	0	2			
	NR		15,393	122	1	0	2	15,835	126	1	0	2	16,031	127	1	0	2			
	WG		11,678	93	1	0	2	12,013	95	1	0	2	12,162	97	1	0	2			
	WR		13,467	107	2	0	2	13,853	110	2	0	2	14,024	111	2	0	2			
P3	AG	155	11,647	75	1	0	2	11,981	77	1	0	2	12,129	78	1	0	2	0.97	0.96	0.96
	AR		13,444	87	1	0	2	13,829	89	1	0	2	14,000	90	1	0	2			
	FG		12,969	84	1	0	2	13,340	86	1	0	2	13,506	87	1	0	2			
	FT		15,105	97	1	0	3	15,538	100	1	0	3	15,730	101	1	0	3			
	MG		15,335	99	1	0	2	15,774	102	1	0	2	15,970	103	2	0	2			
	MR		17,765	115	2	0	2	18,275	118	2	0	2	18,501	119	2	0	2			
	NG		15,987	103	1	0	2	16,445	106	1	0	2	16,649	107	1	0	2			
	NR		18,196	117	1	0	2	18,718	121	1	0	2	18,949	122	1	0	2			
	WG		13,805	89	2	0	2	14,200	92	2	0	2	14,376	93	2	0	2			
	WR		15,918	103	2	0	2	16,375	106	2	0	2	16,577	107	2	0	2			
P4	AG	180	13,380	74	1	0	2	13,452	75	1	0	2	13,934	77	1	0	2	0.97	0.96	0.95
	AR		15,444	86	1	0	3	15,457	86	1	0	3	16,083	89	1	0	3			
	FG		14,898	83	1	0	2	15,253	85	1	0	2	15,515	86	1	0	2			
	FT		17,352	96	1	0	3	17,705	98	1	0	3	18,071	100	1	0	3			
	MG		17,617	98	2	0	2	17,937	100	2	0	2	18,346	102	2	0	2			
	MR		20,409	113	2	0	3	20,784	115	2	0	3	21,254	118	2	0	3			
	NG		18,366	102	2	0	2	18,649	104	2	0	2	19,126	106	2	0	2			
	NR		20,903	116	2	0	2	21,201	118	2	0	2	21,769	121	2	0	2			
	WG		15,859	88	2	0	2	16,313	91	2	0	2	16,515	92	2	0	2			
	WR		18,287	102	2	0	2	18,617	103	2	0	2	19,044	106	2	0	2			

PERFORMANCE DATA — UPLIGHT SKIRT + HOUSE SIDE SHIELD OPTION (continued)

Performance Package	Distribution	Input Watts	30K (3000K CCT, 70 CRI)					40K (4000K CCT, 70 CRI)					50K (5000K CCT, 70 CRI)					LLD @ 25°C		
			Lumens	LPW	B	U	G	Lumens	LPW	B	U	G	Lumens	LPW	B	U	G	50k Hours	75k Hours	100k Hours
P5	AG	206	15,037	73	1	0	2	15,468	75	1	0	2	15,659	76	1	0	2	0.96	0.96	0.95
	AR		17,356	84	1	0	3	17,854	87	1	0	3	18,075	88	1	0	3			
	FG		16,743	81	2	0	3	17,223	84	2	0	3	17,437	85	2	0	3			
	FT		19,501	95	1	0	3	20,060	97	2	0	3	20,309	99	2	0	3			
	MG		19,798	96	2	0	2	20,366	99	2	0	2	20,618	100	2	0	2			
	MR		22,936	111	2	0	3	23,594	115	2	0	3	23,886	116	2	0	3			
	NG		20,641	100	2	0	2	21,232	103	2	0	2	21,495	104	2	0	2			
	NR		23,492	114	2	0	2	24,166	117	2	0	2	24,465	119	2	0	2			
	WG		17,823	87	2	0	2	18,333	89	2	0	2	18,561	90	2	0	2			
	WR		20,552	100	2	0	2	21,141	103	2	0	3	21,403	104	2	0	3			
P6	AG	230	16,592	72	1	0	2	17,067	74	1	0	2	17,279	75	1	0	2	0.96	0.95	0.94
	AR		19,151	83	1	0	3	19,700	86	1	0	3	19,944	87	1	0	3			
	FG		18,475	80	2	0	3	19,005	83	2	0	3	19,240	84	2	0	3			
	FT		21,518	94	2	0	4	22,135	96	2	0	4	22,409	97	2	0	4			
	MG		21,846	95	2	0	2	22,472	98	2	0	2	22,750	99	2	0	2			
	MR		25,308	110	2	0	3	26,034	113	2	0	3	26,356	115	2	0	3			
	NG		22,775	99	2	0	2	23,428	102	2	0	2	23,718	103	2	0	2			
	NR		25,922	113	2	0	2	26,665	116	2	0	3	26,995	117	2	0	3			
	WG		19,666	86	2	0	2	20,229	88	2	0	2	20,480	89	2	0	2			
	WR		22,677	99	2	0	3	23,327	101	2	0	3	23,616	103	2	0	3			
P7	AG	255	18,201	71	1	0	3	18,723	73	2	0	3	18,955	74	2	0	3	0.96	0.95	0.93
	AR		21,009	82	1	0	3	21,611	85	1	0	3	21,879	86	1	0	3			
	FG		20,267	79	2	0	3	20,848	82	2	0	3	21,106	83	2	0	3			
	FT		23,606	93	2	0	4	24,282	95	2	0	4	24,583	96	2	0	4			
	MG		23,965	94	2	0	3	24,652	97	2	0	3	24,957	98	2	0	3			
	MR		27,763	109	2	0	3	28,559	112	2	0	3	28,913	113	2	0	3			
	NG		24,984	98	2	0	2	25,701	101	2	0	2	26,019	102	2	0	2			
	NR		28,436	112	2	0	3	29,251	115	2	0	3	29,614	116	2	0	3			
	WG		21,573	85	2	0	2	22,192	87	2	0	2	22,467	88	2	0	2			
	WR		24,877	98	2	0	3	25,590	100	2	0	3	25,907	102	2	0	3			
P8	AG	280	19,736	70	2	0	3	20,302	73	2	0	3	20,553	73	2	0	3	0.95	0.93	0.92
	AR		22,781	81	2	0	3	23,434	84	2	0	4	23,724	85	2	0	4			
	FG		21,976	78	2	0	3	22,606	81	2	0	3	22,886	82	2	0	3			
	FT		25,596	91	2	0	4	26,330	94	2	0	4	26,656	95	2	0	4			
	MG		25,986	93	2	0	3	26,730	95	2	0	3	27,062	97	2	0	3			
	MR		30,104	108	2	0	3	30,967	111	2	0	4	31,351	112	3	0	4			
	NG		27,091	97	2	0	2	27,868	100	2	0	2	28,213	101	2	0	2			
	NR		30,834	110	2	0	3	31,718	113	2	0	3	32,111	115	2	0	3			
	WG		23,393	84	2	0	2	24,063	86	2	0	3	24,361	87	2	0	3			
	WR		26,975	96	3	0	3	27,748	99	3	0	3	28,091	100	3	0	3			

Catalog Number W4GLED W4P4000H40013N1R1VAV1PRP1SHGYSDP PR7 LWG	
Notes 100-150 WATT EQUIVALENT UNDERBRIDGE	Type HIGH MAST

Wallpack® LED



LVG - Vandal guard



LWG - Wire guard



Description

Perimeter and security lighting requires excellent control and uniformity while minimizing light trespass and glare. The W4GLED/W4PLED Wallpack LED luminaires excel at this, requiring fewer luminaires to achieve required light levels in infrastructure, industrial and municipal applications. With energy cost reductions up to 77% and expected service life of over 20 years, Wallpack LED provides the latest lighting technology from the company that introduced the very first Wallpack to the market.

Optics

- The W4G uses a tempered glass lens and the W4P uses a protective polycarbonate lens that covers the light engine's precision-molded proprietary acrylic lenses.
- Type 3 medium
- Type 3 short (IP66 rated light engine)

Mechanical

- The housing is constructed of die-cast aluminum and is fully gasketed for ease of maintenance
- The LED driver is mounted to the front casting to thermally isolate it from the light engine for low operating temperature and long life
- Housing is completely sealed against moisture and environmental contaminants, IP55
- Exterior parts are protected by a zinc-infused Super Durable TGIC thermoset powder coat finish that provides superior resistance to corrosion and weathering.
- A tightly controlled multi-stage process ensures a minimum 3 mils thickness for a finish that can withstand extreme climate changes without cracking or peeling.

Electrical

- Light engine(s) consist of 10-30 high-efficacy LEDs mounted to a metal-core circuit board and integral aluminum heat sink to maximize heat dissipation and promote long life
- The dimmable electronic driver has a power factor of >90%, THD <20%
- SPD: 20kV/10kA standard
- CCT: 3000K, 4000K, 5000K
- CRI: 70CRI
- Integrated emergency backup on W4GLED with T3M option

Installation

- Top 3/4" threaded wiring access
- Back access through removable 3/4" knockout
- Feed-thru wiring can be achieved by using a conduit tee

Certification and Standards

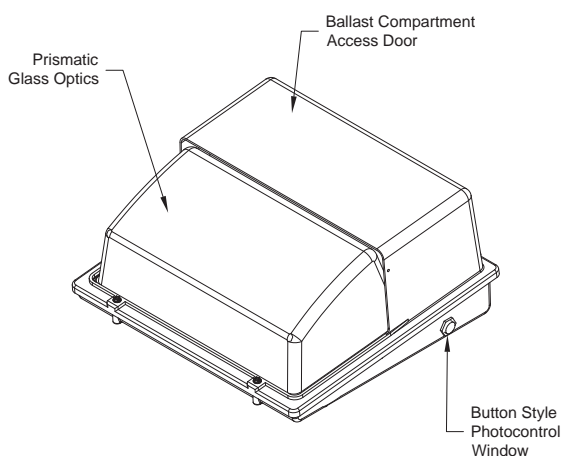
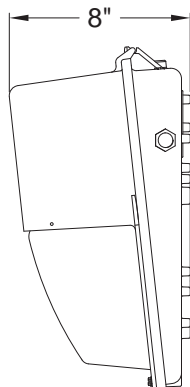
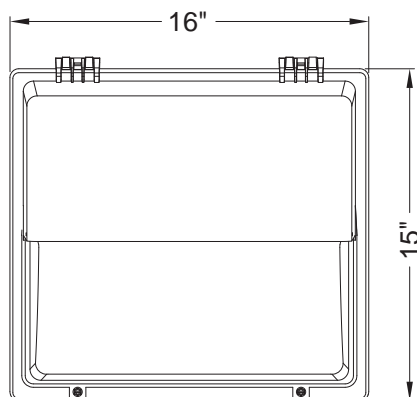
- UL listed for wet locations. Rated for -40 °C to 40 °C ambient, refer to page 4 for details
- Designlights ConsortiumÆ (DLC) qualified product. Not all versions of this product may be DLC qualified. Please check the DLC Qualified Products List at www.designlights.org/QPL to confirm which versions are qualified.
- LM-79 compliant
- The projected LED Lumen Maintenance shall be based only on IES LM-80-08 and TM-21

Warranty

5-year limited warranty. This is the only warranty provided and no other statements in this specification sheet create any warranty of any kind. All other express and implied warranties are disclaimed. Complete warranty terms located at: www.acuitybrands.com/support/warranty/terms-and-conditions

Note: Actual performance may differ as a result of end-user environment and application. All values are design or typical values, measured under laboratory conditions at 25 °C.

DIMENSIONAL DATA



ORDERING INFORMATION *Italicized and Blue INDICATES OPTIONS ONLY AVAILABLE WITH W4GLED*

Example: W4GLED 30C1000 40K T3S MVOLT SPD PR7 BZSDP

W4GLED	20C1000	40K	T3M	MVOLT	SPD
Series	Performance Package	Color Temperature	Distribution	Voltage	Surge Protection
<i>W4GLED</i> Wallpack IV Glass LED	<i>10C1000</i> 10 LED	30K 3000 series CCT	T3M Type III Medium	MVOLT Multi-volt: 120-277 volt	SPD 20kV/10kA (Standard)
W4PLED Wallpack IV Plastic LED	<i>20C1000</i> 20 LED	40K 4000 series CCT	T3S Type III Short	120 120 Volt	
	<i>30C1000</i> 30 LED	50K 5000 series CCT		208 208 Volt	
	10C700 10 LED			240 240 Volt	
	20C700 20 LED			277 277 Volt	
	30C700 30 LED			347 ¹ 347 Volt	
				480 ¹ 480 Volt	

PR7	LWG	GYSPD
Control Options	Options	Super Durable Paint
PCB ² Button Style Photoelectric Cell	AO ⁴ <i>Field Adjustable Output</i>	BKSDP Black Super Durable Paint
<i>PR3³ N.E.M.A. Twistlock 3-pin Receptacle - Control not included</i>	SF Single Fusing	BZSDP Bronze Super Durable Paint
<i>PR7³ N.E.M.A. Twistlock 7-pin Receptacle - Control not included</i>	DF Double Fusing	GYSDP Grey Super Durable Paint
	TPS Tamper resistant screws	WHSDP White Super Durable Paint
	NOM ⁵ NOM Certified	
	<i>ELSW⁶ Emergency Battery Backup (Standard 0°C)</i>	
	<i>ELCW⁶ Emergency Battery Backup (Cold Weather -20°C)</i>	
	<i>LWG⁷ Wire Guard</i>	
	<i>LVG⁸ Vandal Guard</i>	

Accessories: Order as separate catalog number.	
<i>DLL127F 1.5 JUP</i>	<i>Photocell - SSL Twist-Lock (120-277V)</i>
<i>DLL347 1.5 CUL JUP</i>	<i>Photocell - SSL Twist-Lock (347V)</i>
<i>DLL480 1.5 CUL JUP</i>	<i>Photocell - SSL Twist-Lock (480V)</i>
<i>SH U⁹</i>	<i>Shorting Cap</i>
<i>W4GVGU</i>	<i>Vandal Guard</i>
<i>W4GWGU</i>	<i>Wire Guard</i>

Notes

- 1 Not available with 10C1000
- 2 Not available with 480V
- 3 Available Only with W4G
- 4 Not available with 10C1000
- 5 Available with T3M only
- 6 Not Available 30C Performance Package. Not Available 347, 480 Voltage. Not Available PE, P3, P7 Control.
- 7 Not available with LVG option. Casting is pre-drilled for guard. Vandal guard ships separately.
- 8 Not available with LWG option. Casting is pre-drilled for guard. Vandal guard ships separately.
- 9 Only available with PR3 control option (ships separately)
- 10 Not available with PCB option

OPTIONS MATRIX

Parameters		Voltage Options by LED Package			SELECTED OPTION											
		10Cxxxx	20Cxxxx	30Cxxxx	AO	PCB	PR3	PR7	SF	DF	TPS	NOM	ELSW	ELCW	LWG	LVG
LED Package	10Cxxxx				N	Y	W4G	W4G	Y	Y	Y	T3M	W4GM	W4GM	Y	W4G
	20Cxxxx				Y	Y	W4G	W4G	Y	Y	Y	T3M	W4GM	W4GM	Y	W4G
	30Cxxxx				Y	Y	W4G	W4G	Y	Y	Y	T3M	N	N	Y	W4G
Voltage	MVOLT	Y	Y	Y	Y	Y	W4G	W4G	Y	N	Y	T3M	W4GM	W4GM	Y	W4G
	120	Y	Y	Y	Y	Y	W4G	W4G	Y	Y	Y	T3M	W4GM	W4GM	Y	W4G
	208	Y	Y	Y	Y	Y	W4G	W4G	Y	Y	Y	T3M	W4GM	W4GM	Y	W4G
	240	Y	Y	Y	Y	Y	W4G	W4G	Y	Y	Y	T3M	W4GM	W4GM	Y	W4G
	277	Y	Y	Y	Y	Y	W4G	W4G	Y	Y	Y	T3M	W4GM	W4GM	Y	W4G
	347	N	Y	Y	Y	Y	W4G	W4G	Y	Y	Y	T3M	N	N	Y	W4G
	480	N	Y	Y	Y	N	W4G	W4G	Y	Y	Y	T3M	N	N	Y	W4G
Optic	T3M				Y	Y	W4G	W4G	Y	Y	Y	T3M	W4GM	W4GM	Y	W4G
	T3S				W4G	Y	W4G	W4G	Y	Y	Y	N	N	N	Y	W4G
Controls	AO					Y	W4G	W4G	Y	Y	Y	T3M	W4GM	W4GM	Y	W4G
	PCB				Y		N	N	Y	N	Y	T3M	N	N	Y	W4G
	PR3				W4G	N		N	W4G	W4G	W4G	W4GM	N	N	W4G	W4G
	PR7				W4G	N	N		W4G	W4G	W4G	W4GM	N	N	W4G	W4G
Options	SF				Y	Y	W4G	W4G		N	Y	T3M	W4GM	W4GM	Y	W4G
	DF				Y	Y	W4G	W4G	N		Y	T3M	W4GM	W4GM	Y	W4G
	TPS				Y	Y	W4G	W4G	Y	Y		T3M	W4GM	W4GM	Y	W4G
	NOM				Y	W4G	W4G	W4G	Y	Y	Y		W4GM	W4GM	N	W4G
	ELSW				Y	N	N	N	W4G	W4G	W4G	T3M			W4G	W4G
	ELCW				Y	N	N	N	W4G	W4G	W4G	T3M			W4G	W4G
	LWG				Y	Y	Y	Y	Y	Y	Y	T3M	W4GM	W4GM		N
	LVG				W4G	W4G	W4G	W4G	W4G	W4G	W4G	W4GM	W4GM	W4GM	N	

LEGEND

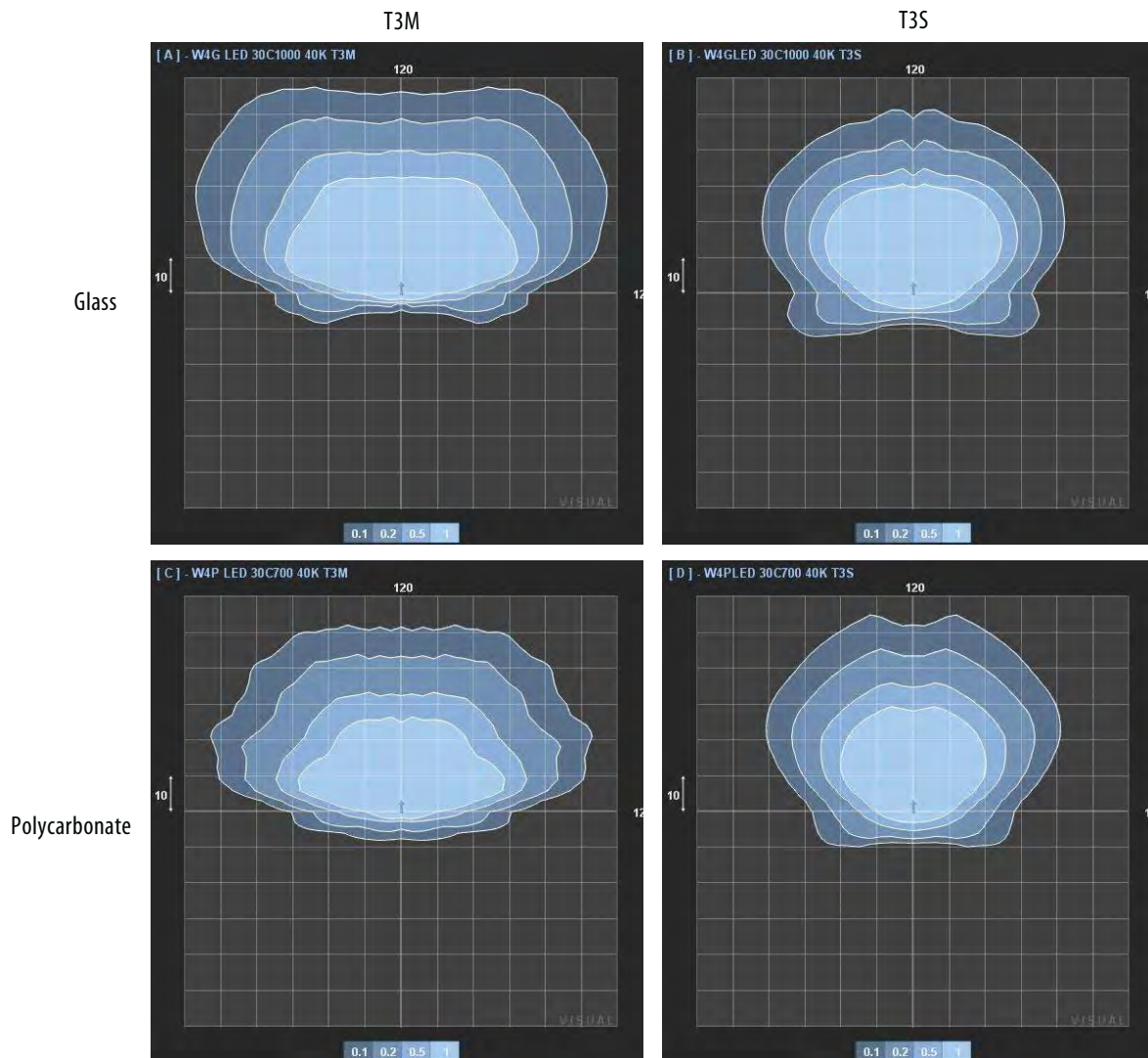
- N = Not available with W4GLED & W4PLED
- Y = Valid combination with W4GLED & W4PLED
- T3M = Only available on W4GLED & W4PLED with T3M distribution
- W4G = Only available with W4GLED
- W4GM = Only available on W4GLED with T3M distribution

OPERATIONAL DATA

Operating Characteristics

Series	LED Package	System Watts	Distribution Type	30K (3000K, 70 CRI)					40K (4000K, 70 CRI)					50K (5000K, 70 CRI)					
				Lumens	LPW	B	U	G	Lumens	LPW	B	U	G	Lumens	LPW	B	U	G	
W4G	10C1000	39	T3M	3140	81	0	3	3	3377	87	0	3	3	3398	87	0	3	3	
	20C1000	72		6495	90	1	3	4	6983	97	1	3	4	7027	98	1	3	4	
	30C1000	104		7789	75	1	3	4	8375	81	1	3	5	8427	81	1	3	5	
W4P	10C700	26		2030	78	0	3	2	2183	84	0	3	2	2197	85	0	3	2	
	20C700	45		3912	87	0	3	3	4207	93	1	3	3	4233	94	1	3	3	
	30C700	67		4813	72	1	3	3	5176	77	1	3	4	5208	78	1	3	4	
W4G	10C1000	28		T3S	3206	115	0	3	2	3485	124	0	3	2	3485	124	0	3	2
	20C1000	57			6507	114	1	3	2	7073	124	1	3	3	7073	124	1	3	3
	30C1000	77			8477	110	1	3	3	9214	120	1	3	3	9214	120	1	3	3
W4P	10C700	27	2709		100	0	3	2	2944	109	0	3	3	2944	109	0	3	3	
	20C700	38	3299		87	0	3	3	4017	106	1	3	3	4017	106	1	3	3	
	30C700	49	4203		86	1	3	3	5173	106	1	3	3	5173	106	1	3	3	

PHOTOMETRIC DISTRIBUTIONS



OPERATIONAL DATA

Lumen Maintenance

Data references the extrapolated performance projections for the platforms noted in a 25°C ambient, based on 10,000 hours of LED testing (tested per IESNA LM-80-08 and projected per IESNA TM-21-11).

To calculate LLF, use the lumen maintenance factor that corresponds to the desired number of operating hours below. For other lumen maintenance values, contact factory.

Lumen Maintenance Factor with TM3 Optic Option

Operating Hours	0	25,000	50,000	100,000
Glass Lumen Maintenance Factor	1.00	0.969	0.935	0.870
Polycarbonate Lumen Maintenance Factor	1.00	0.998	0.993	0.982

Lumen Maintenance Factor with T3S Optic Option

Operating Hours	0	25,000	50,000	100,000
Glass Lumen Maintenance Factor	1.00	1.00	0.977	0.925
Polycarbonate Lumen Maintenance Factor	1.00	1.00	0.977	0.925

The italicized is extrapolated beyond the TM-21 standard.

$$E = (LM) \times (LAT) \times (LLD)$$

Lumen Ambient Temperature (LAT) Multipliers

Use this factors to determine relative lumen output for average ambient temperatures from 0-40° C (32-104°F)

Ambient		Lumen Temperature	
		LEDs with T3M	LEDs with T3S
0° C	32° F	1.02	1.05
10° C	50° F	1.01	1.03
20° C	68° F	1.00	1.01
25° C	77° F	1.00	1.00
30° C	86° F	1.00	0.99
40° C	104° F	0.98	0.97

Ambient Temperature Ratings

Distribution	LED Package	Temperature
T3M	10C1000	40° C
	20C1000	35° C
	30C1000	35° C
	ELSW Option	30° C
	ELCW Option	30° C

Distribution	LED Package	Temperature
T3M	10C700	40° C
	20C700	40° C
	30C700	40° C

Distribution	LED Package	Temperature
T3S	10C700	40° C
	20C700	40° C
	30C700	40° C
	10C1000	40° C
	20C1000	40° C
	30C1000	40° C