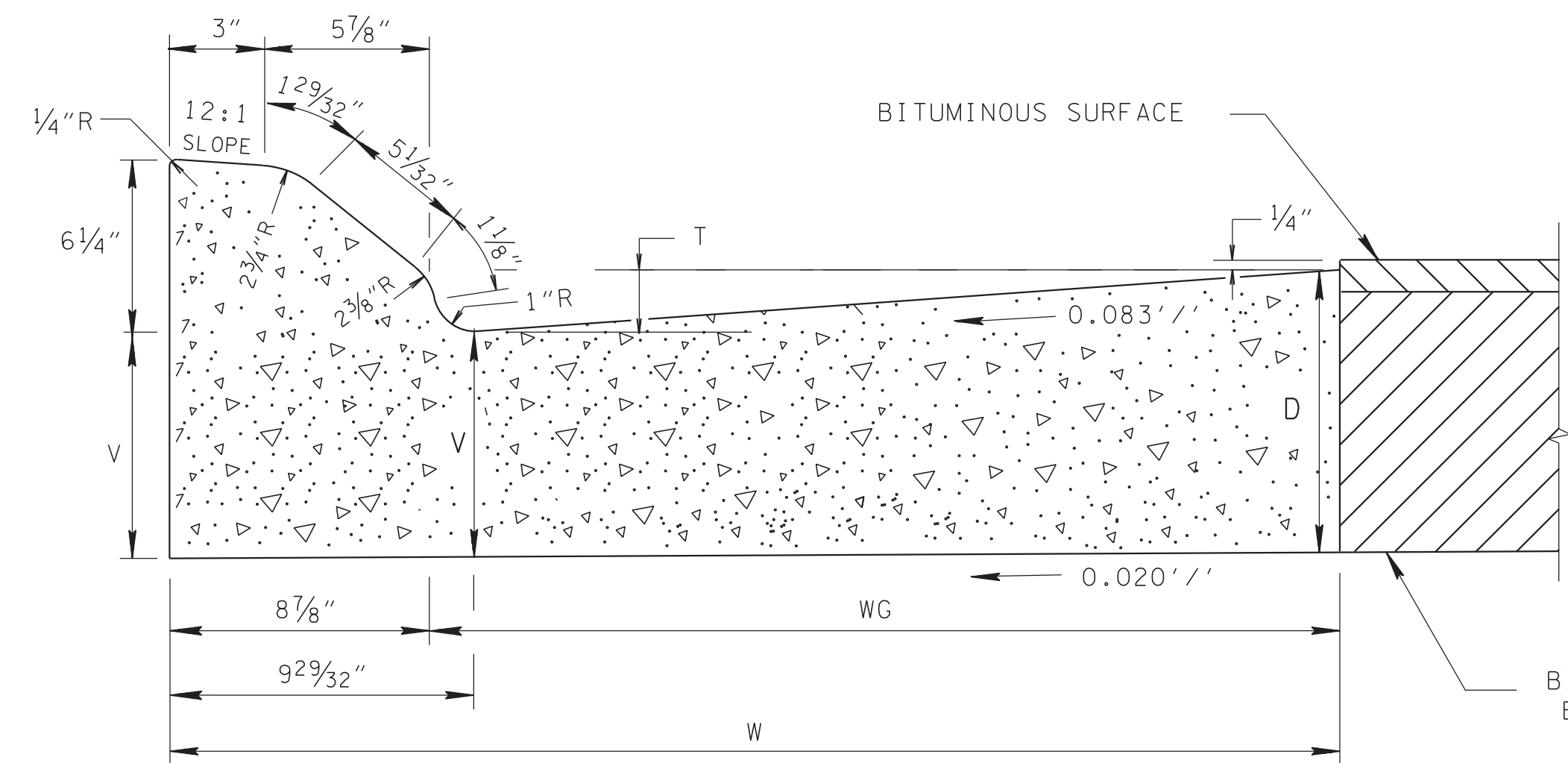
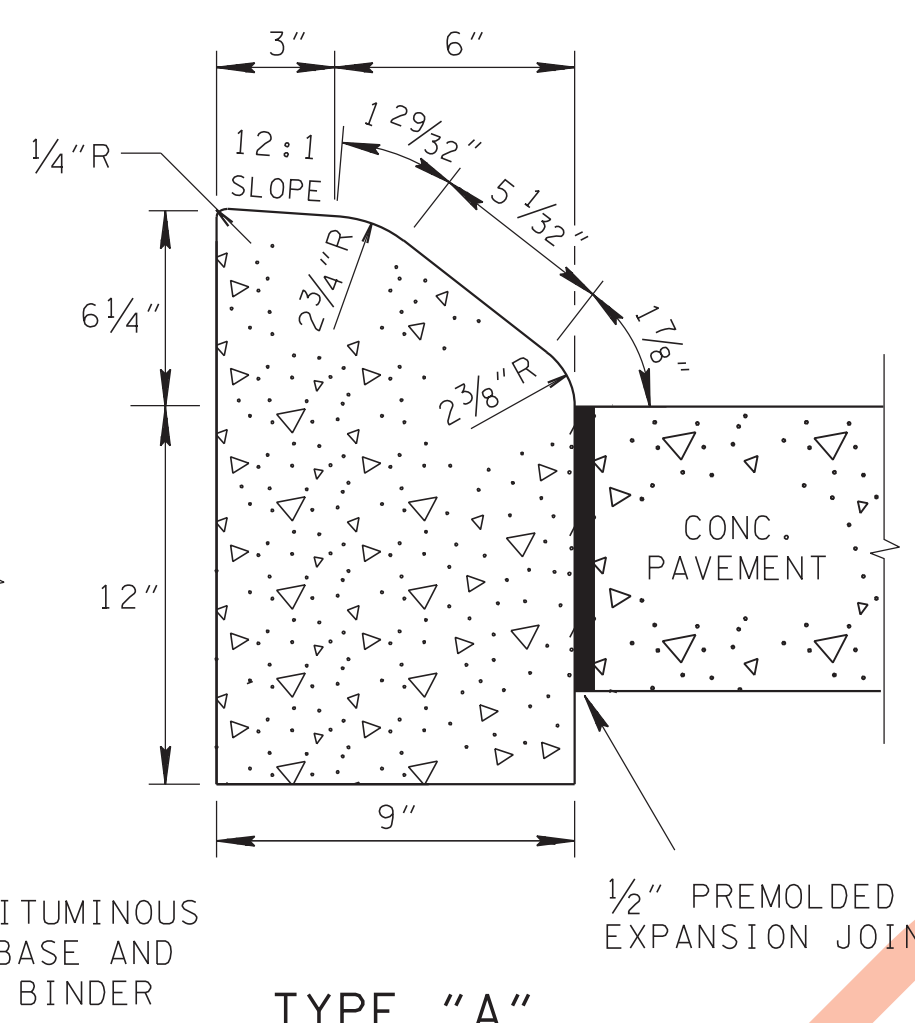


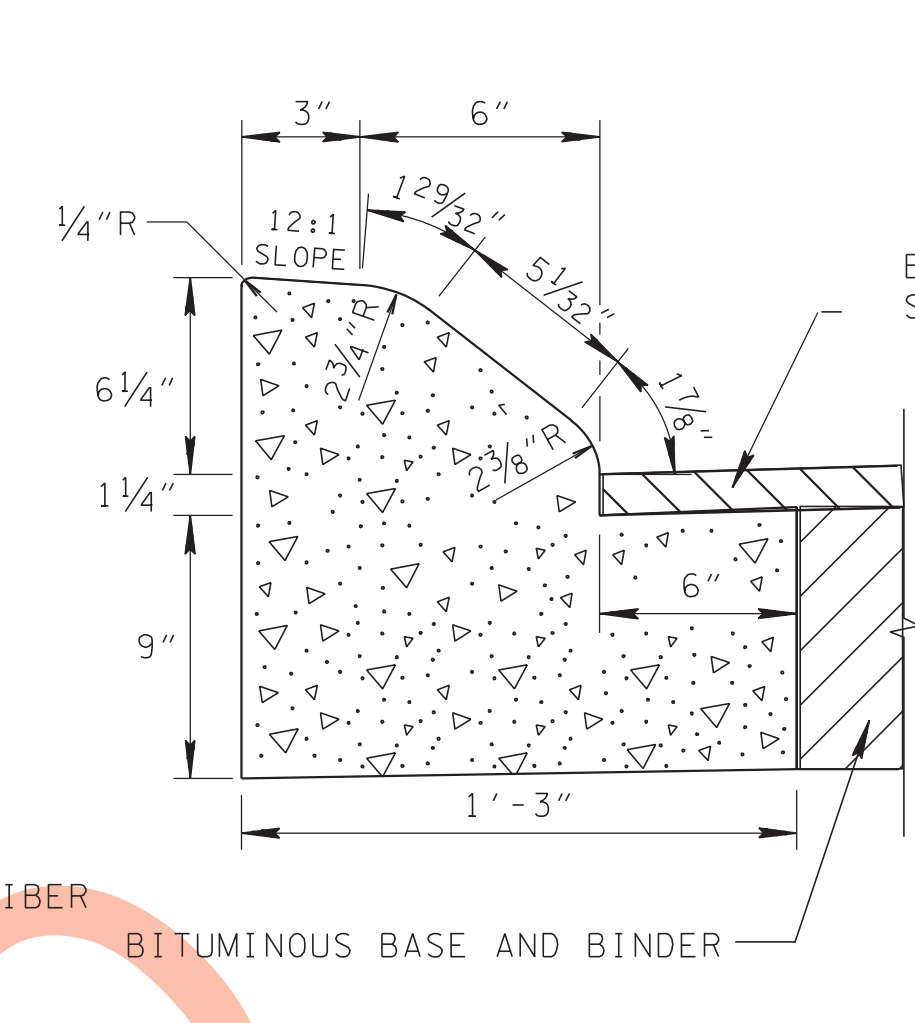
- ☑ REV. 10-26-93: CHANGED BOTTOM SLOPE OF 6" COMBINED CURB AND GUTTER FROM 0.083'/' TO 0.020'/' . UNDER QUANTITIES FOR COMBINED CURB AND GUTTER BLOCK CHANGED ALL QUANTITIES. CHANGED SIZE AND SPACING OF EXPANSION JOINT. ADDED GENERAL NOTE FOR CONTRACTION JOINT.
- ☑ REV. 1-19-94 : ADDED NEW GENERAL NOTE ① REGARDING USE OF EXTRUDED 6" MOUNTABLE CONCRETE CURB.
- ☑ REV. 10-26-97: CORRECTED LABELING OF PAVEMENT ON DETAILS.
- ☑ REV. 2-28-02: CHANGED SHEET NAME. CHANGED REFERENCE TO CURB FROM MOUNTABLE TO SLOPING.



6" SLOPING CONCRETE COMBINED CURB AND GUTTER



6" SLOPING DETACHED CONCRETE CURBS



LOWERED CONCRETE CURB

TYPE	TOTAL WIDTH (W) IN INCHES	WIDTH OF GUTTER (WG) IN INCHES	VERTICAL DROP (T) IN INCHES	VERTICAL DEPTH (D) OF GUTTER	VERTICAL DEPTH (V) OF GUTTER AT FLOW LINE
6-33	33	24 1/8	2	AS NOTED ON TYPICAL X-SECTIONS	D - 1.52"
6-39	39	30 1/8	2 1/2		D - 1.90"
6-45	45	36 1/8	3		D - 2.28"

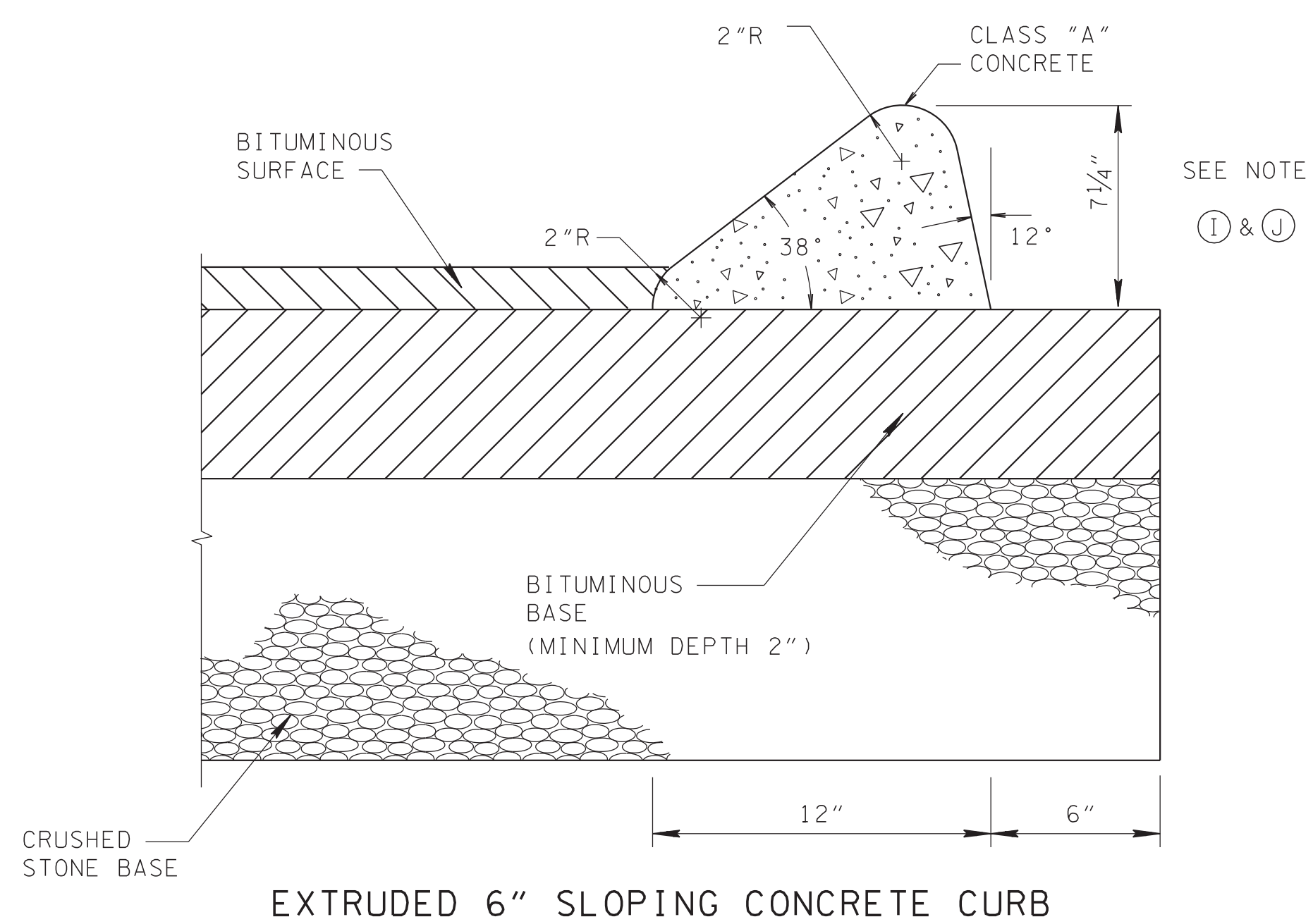
VERTICAL DEPTH (V) MUST ALWAYS EXCEED SIX (6) INCHES.

HEIGHT OF CURB	CUBIC YARD PER LINEAR FOOT	
	TYPE "A"	TYPE "B"
LOWERED CURB	0.03099	0.04323
6" SLOPING	0.03841	0.04892

- | | |
|---|---|
| ① | TO BE BUILT AS COMBINED CURB AND GUTTER, DETACHED CURB OR INTEGRAL CURB AS NOTED ON THE PLANS OR AS DIRECTED BY THE ENGINEER. |
| ② | FOR DETACHED CURB, OMIT RADIUS AT FLOW LINE. |

HEIGHT OF CURB	DEPTH (D) OF GUTTER IN INCHES	TOTAL WIDTH (W) IN INCHES	CUBIC YARDS PER LINEAR FOOT	DEPTH (D) OF GUTTER IN INCHES	TOTAL WIDTH (W) IN INCHES	CUBIC YARDS PER LINEAR FOOT	DEPTH (D) OF GUTTER IN INCHES	TOTAL WIDTH (W) IN INCHES	CUBIC YARDS PER LINEAR FOOT	DEPTH (D) OF GUTTER IN INCHES	TOTAL WIDTH (W) IN INCHES	CUBIC YARDS PER LINEAR FOOT	DEPTH (D) OF GUTTER IN INCHES	TOTAL WIDTH (W) IN INCHES	CUBIC YARDS PER LINEAR FOOT
LOWERED CURB	8	33	0.06362	9	33	0.07211	10	33	0.08061	11	33	0.08909	12	33	0.09757
	8	39	0.07748	9	39	0.08751	10	39	0.09754	11	39	0.10758	12	39	0.11763
	8	45	0.10385	9	45	0.10385	10	45	0.11543	11	45	0.12701	12	45	0.13857
6" SLOPING	8	33	0.07060	9	33	0.07909	10	33	0.08757	11	33	0.09606	12	33	0.10455
	8	39	0.08446	9	39	0.09449	10	39	0.10452	11	39	0.11455	12	39	0.12458
	8	45	0.11083	9	45	0.11083	10	45	0.12240	11	45	0.13398	12	45	0.14555

D-	VERTICAL DEPTH OF GUTTER
T-	VERTICAL DROP IN GUTTER FROM FRONT EDGE TO FACE OF CURB
W-	TOTAL WIDTH OF COMBINED CURB AND GUTTER
WG-	WIDTH OF GUTTER



EXTRUDED 6" SLOPING CONCRETE CURB

- | | |
|--|--|
| (A) FOR SPECIFICATIONS SEE "STANDARD SPECIFICATIONS FOR ROAD AND BRIDGE CONSTRUCTION" OF THE TENNESSEE DEPARTMENT OF TRANSPORTATION, SECTION 702 - CEMENT CONCRETE CURB, GUTTER AND COMBINED CURB AND GUTTER. | (F) EDGES OF JOINTS SHALL BE FINISHED ON ONE-QUARTER INCH RADIUS. |
| (B) THE FRONT FACE OF THE CONCRETE CURBS FOR ALL DEGREES OF CURVATURE SHALL CONFORM TO THE CONTOUR OF THE CURVE AND NO CHORD SECTIONS WILL BE PERMITTED. | (G) ALL COST OF JOINTS SHALL BE INCLUDED IN THE UNIT PRICE BID FOR CONCRETE CURBS AND CONCRETE CURBS AND GUTTERS. |
| (C) CONCRETE EXPANSION JOINT MATERIAL IS TO BE 3/4" PREMOLDED FIBER IN ACCORDANCE WITH SECTION 905 - JOINT MATERIALS OF THE STANDARD SPECIFICATIONS. | (H) THE UNIT PRICE BID FOR CONCRETE CURB, CONCRETE CURB AND GUTTER AND CONCRETE PAVEMENT WILL INCLUDE ANY CIRCULAR SECTION REQUIRED TO BE BUILT CONFORMING TO SECTIONS SHOWN ON THIS SHEET. |
| (D) EXPANSION JOINTS ARE TO BE PLACED AS FOLLOWS:
① AT TANGENT POINTS OF CIRCULAR CURBS
② BETWEEN CURBS AND ABUTTING RIGID OBJECTS
③ AT OTHER PLACES WHERE STRESSES MAY DEVELOP
④ SO AS TO LINE UP WITH PAVEMENT JOINTS WHERE THE ADJACENT PAVEMENT IS CONCRETE
⑤ MAXIMUM SPACING IS TO BE 100 FEET | (I) WHERE CONCRETE MEDIAN PAVEMENT IS POURED BEHIND EXTRUDED 6" MOUNTABLE CONCRETE CURB. IT MAY BE POURED MONOLITHICALLY WITH THE CURB. |
| (E) CONTRACTION JOINTS ARE TO BE SPACED AT 10 FEET. THE SPACING OF 10 FEET MAY BE REDUCED FOR CLOSURES, BUT NOT LESS THAN 6 FEET. | (J) THE EXTRUDED 6" SLOPING (MOUNTABLE) CONCRETE CURB IS TO BE USED ONLY IN SPECIAL CONDITIONS SUCH AS LOW SPEED LOW VOLUME LOCAL STREETS, AS A TEMPORARY MEASURE TO CONTROL TRAFFIC FLOW OR WHEN TIEING TO SIMILAR CURBS ON SUBDIVISION STREETS OR IN PARKING LOTS. |
| | (K) PAYMENT WILL BE AS FOLLOWS:
ITEM NO. 702-01 CONCRETE CURB PER CUBIC YARD
ITEM NO. 702-01.01 EXTRUDED MOUNTABLE CURB PER LINEAR FOOT
ITEM NO. 702-02 CONCRETE GUTTER PER CUBIC YARD
ITEM NO. 702-03 CONCRETE COMBINED CURB AND GUTTER PER CUBIC YARD |

☐ MINOR REVISION -- FHWA APPROVAL NOT REQUIRED.