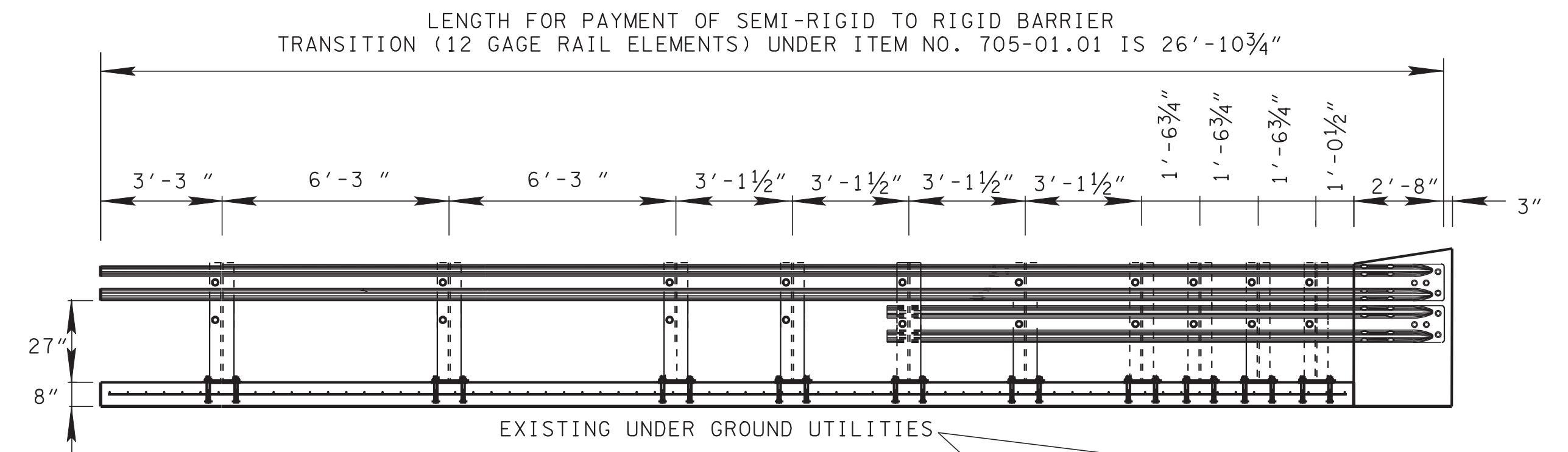
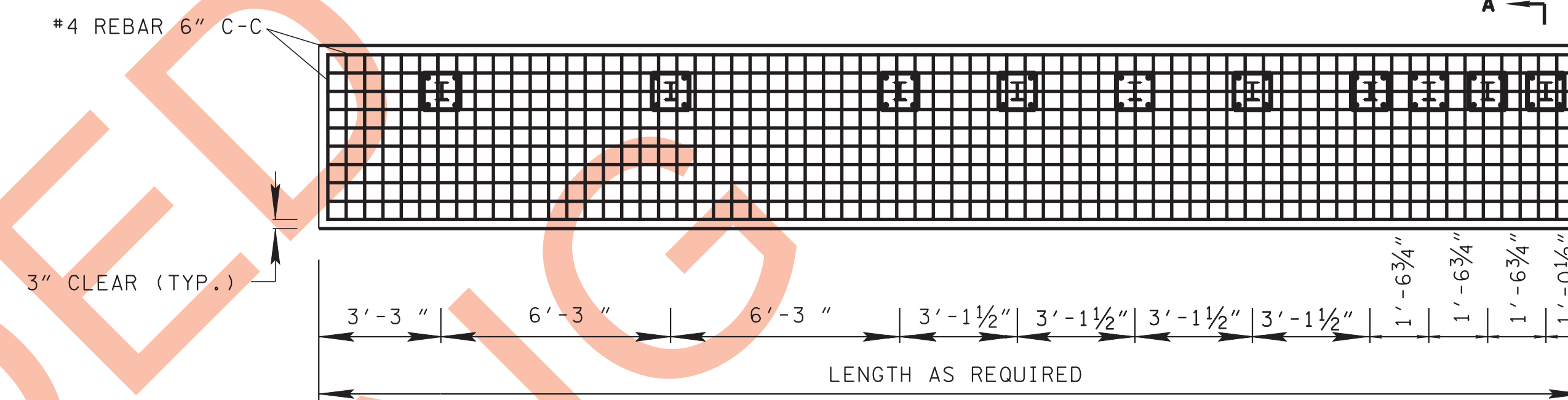


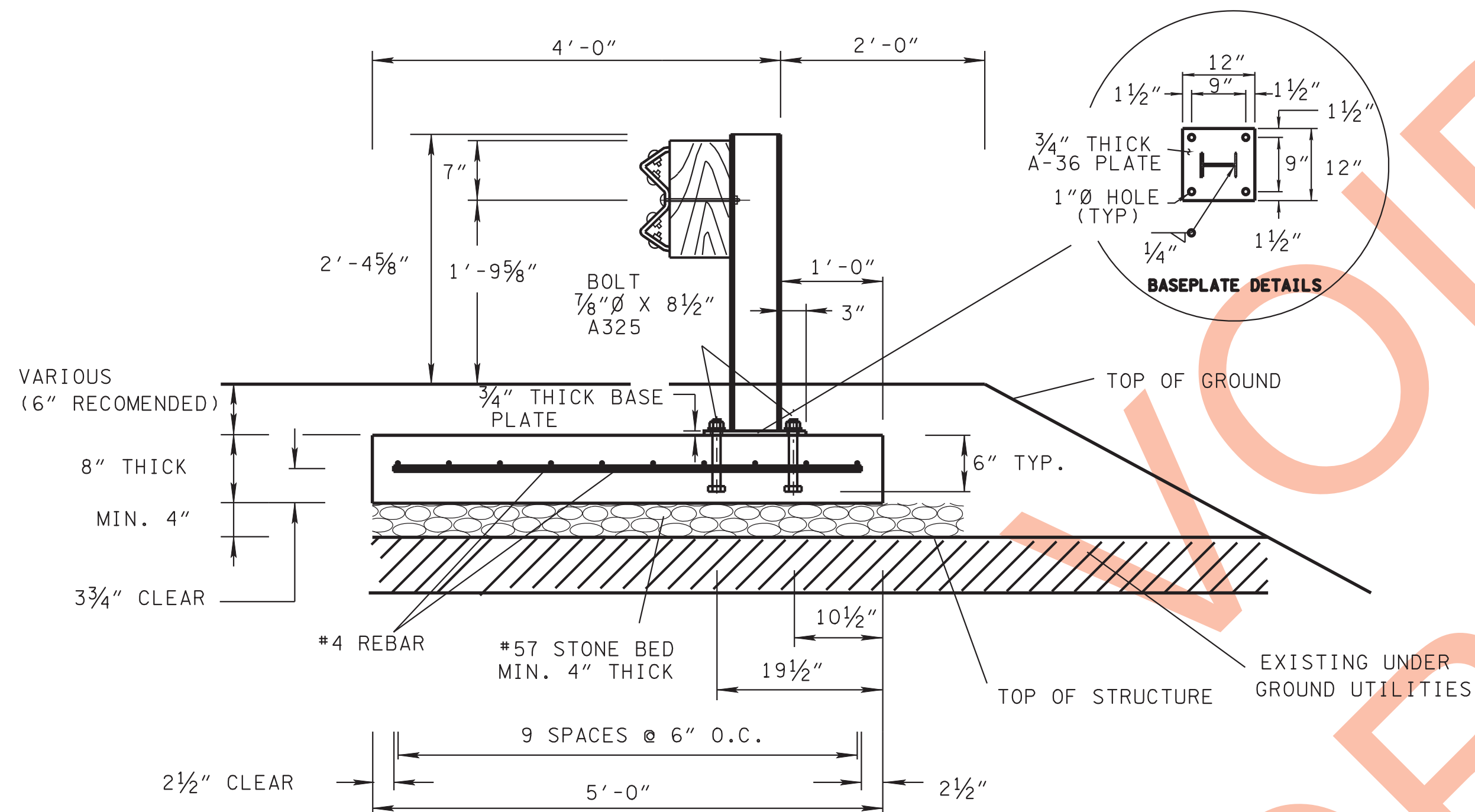
60"X60"X8" SINGLE POST SLAB DETAIL



PROFILE



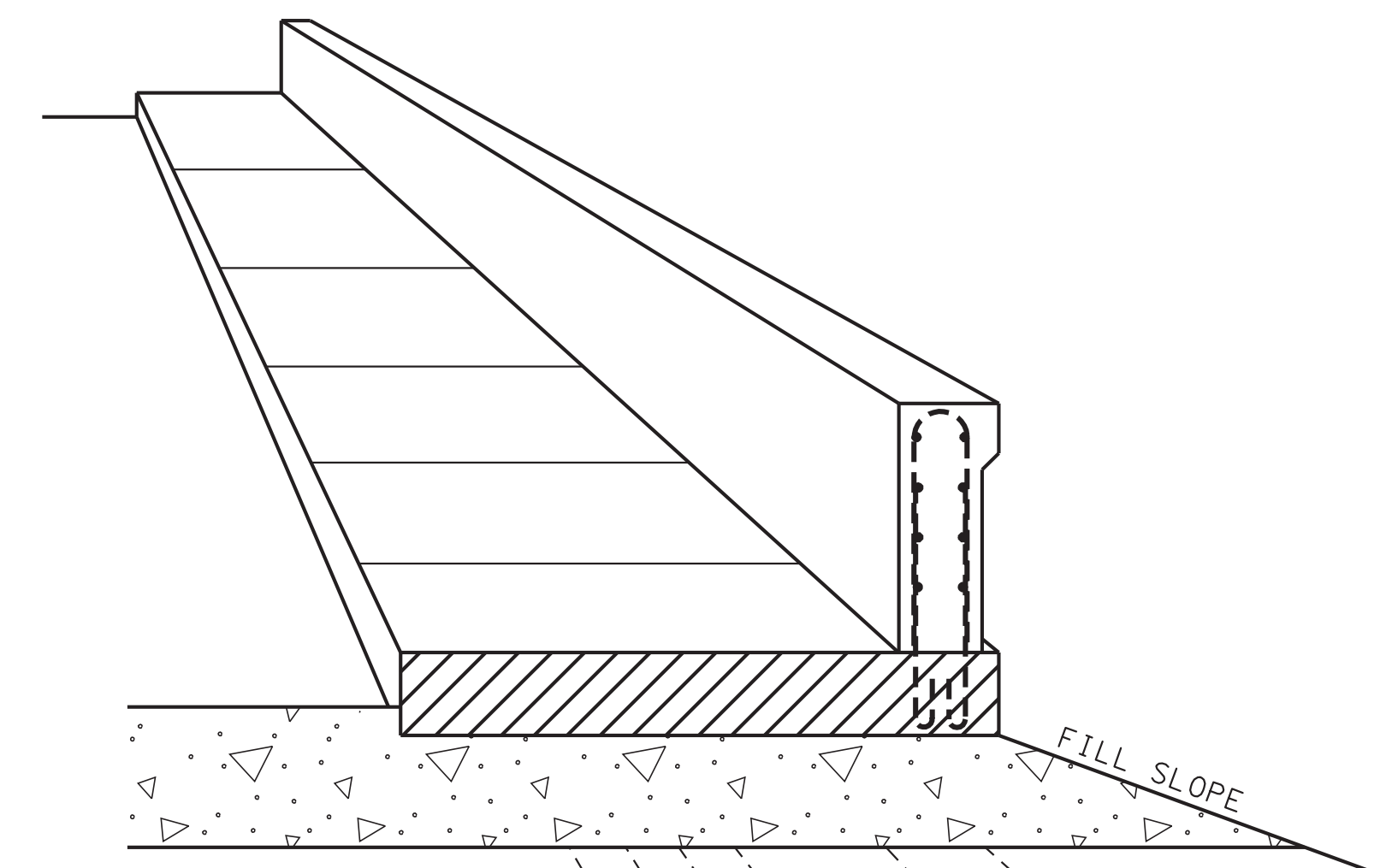
PLAN
BRIDGE APPROACH



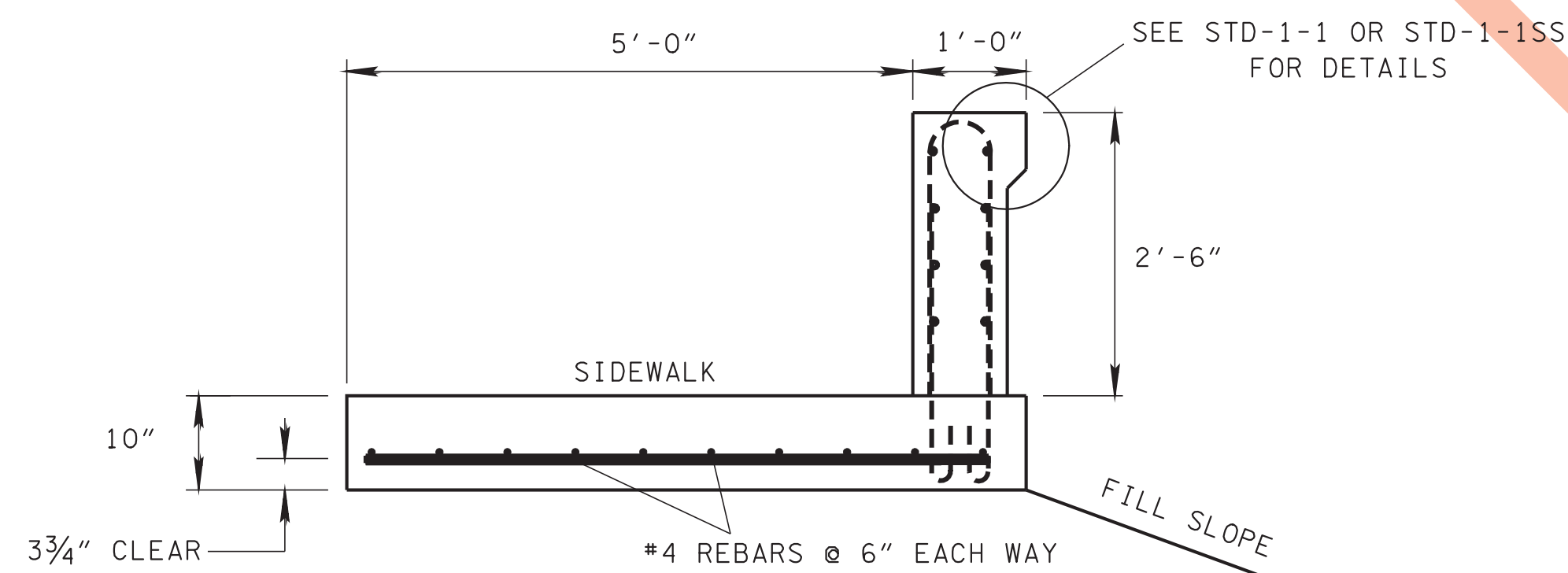
SECTION A-A

QUANTITIES ESTIMATE FOR CONCRETE PAD

	604-01.01 CLASS A CONCRETE CY/LF	602-01 STRUCTURAL STEEL LB/LF
5' WIDE	0.123	12.89
6' WIDE	0.184	15.36



ISOMETRIC VIEW



ALTERNATE BRIDGE RAIL

- GENERAL NOTES
- THIS DRAWING TO BE USED WHERE AN UNDERGROUND UTILITY CONFLICT IS IDENTIFIED DURING DESIGN OR CONSTRUCTION WHERE STANDARD POST COULD NOT BE INSTALLED.
 - BASED ON TTI REPORT 405160-12 "STEEL POSTS OVER UNDERGROUND STRUCTURES".
 - CONCRETE PAD TO BE PAID FOR UNDER ITEMS 602-01 AND 604-01.01.



STEEL LEGEND

MINOR REVISION -- FHWA APPROVAL NOT REQUIRED.

STATE OF TENNESSEE
DEPARTMENT OF TRANSPORTATION

ALTERNATE
GUARDRAIL
POST
ATTACHMENT
DETAIL

S-GR-47