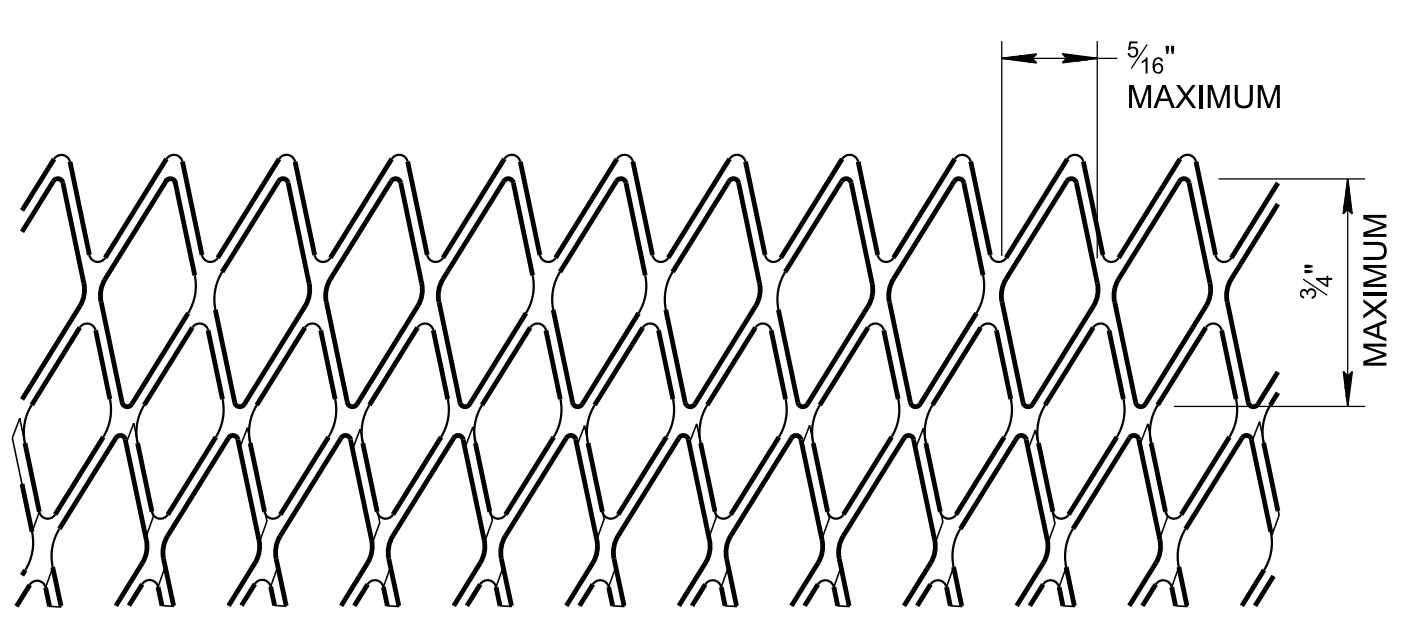
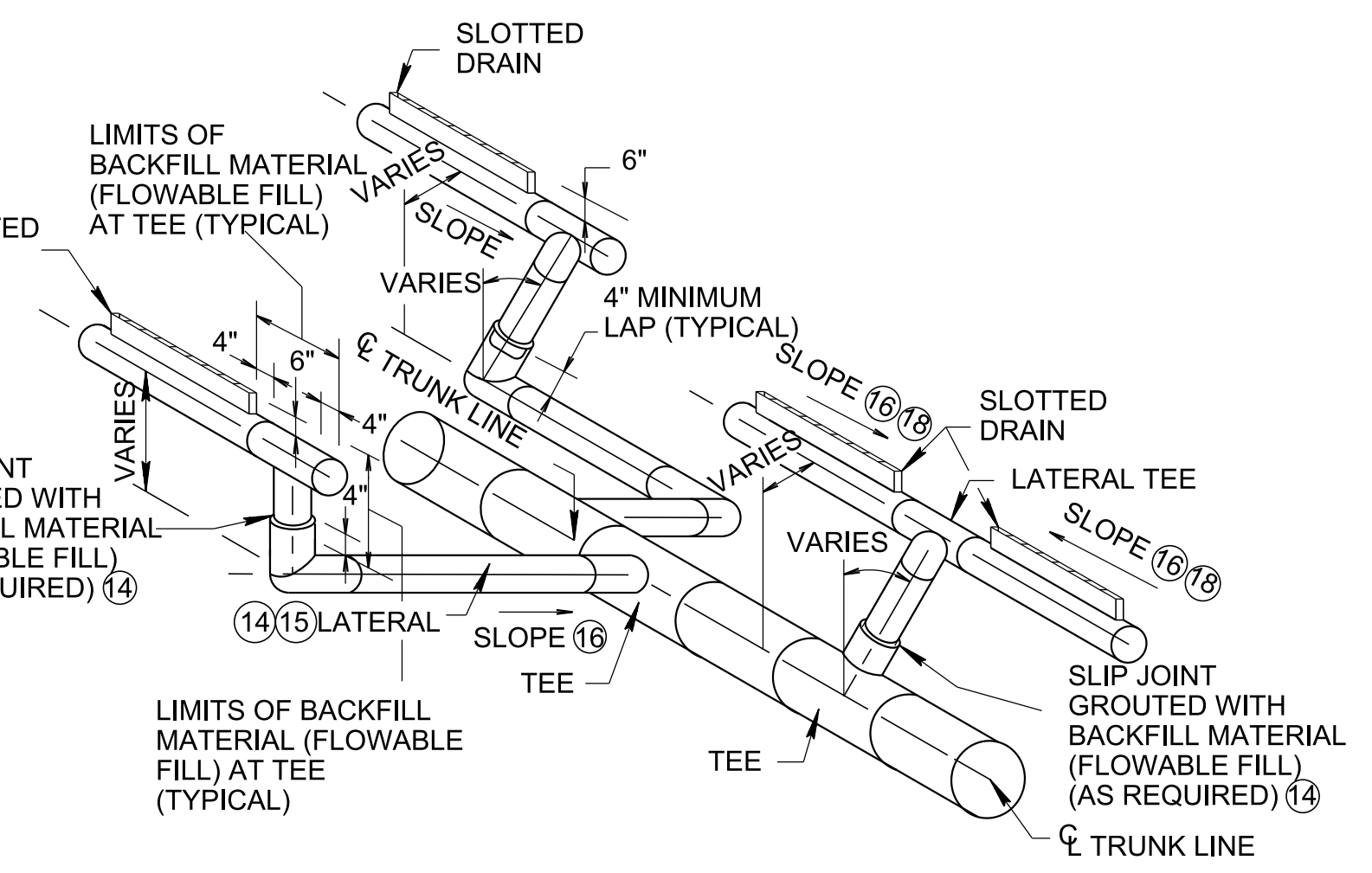
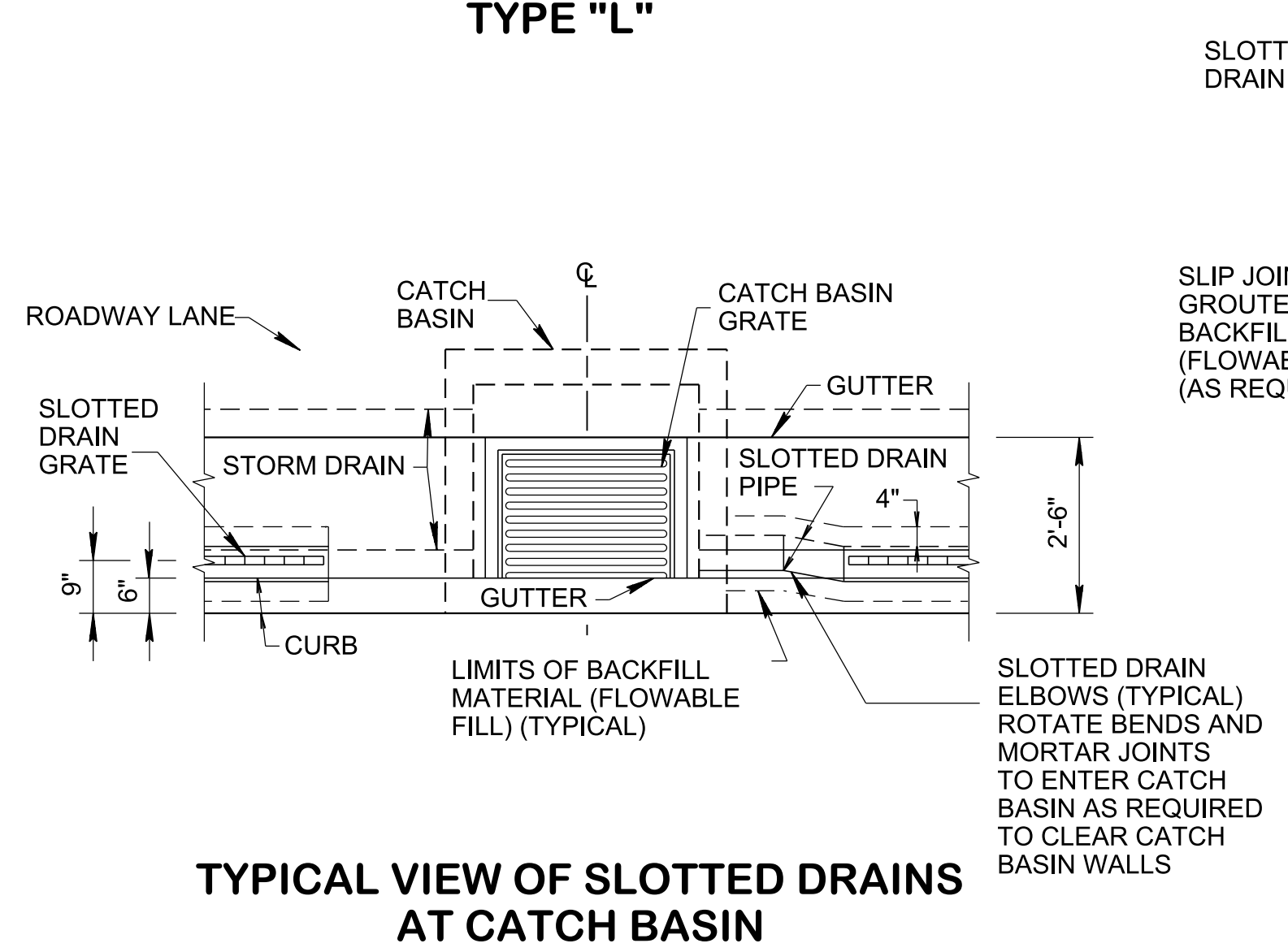
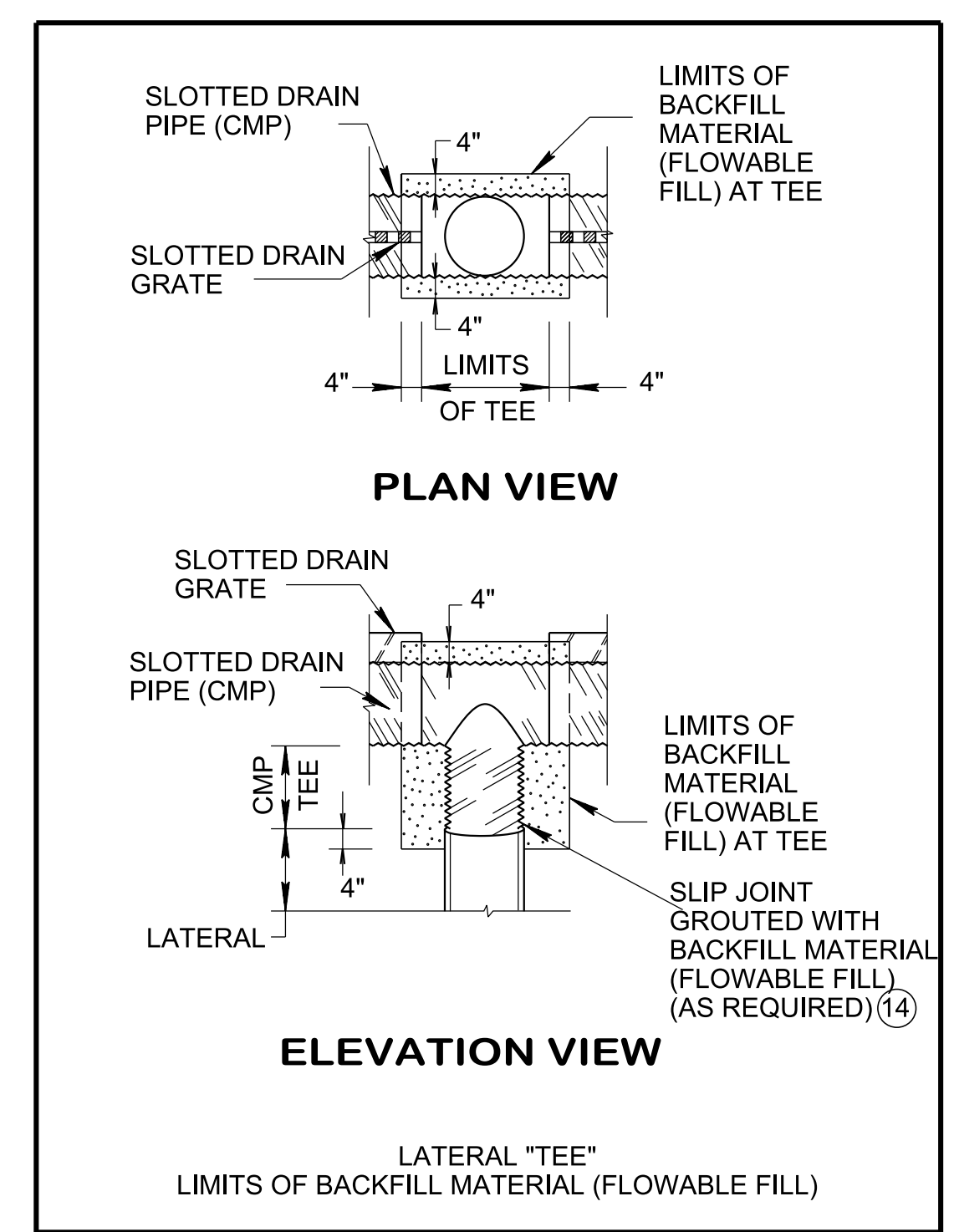
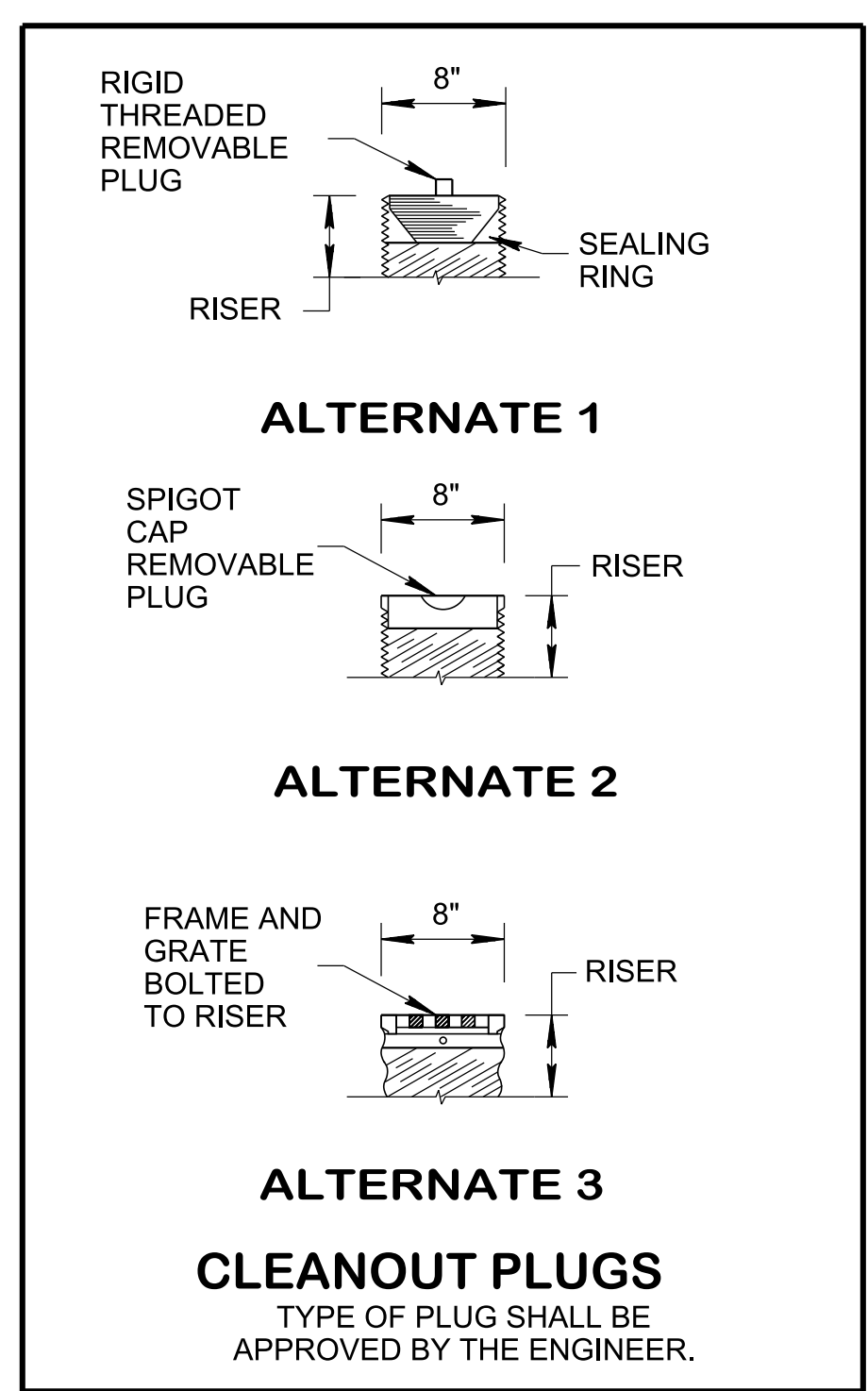
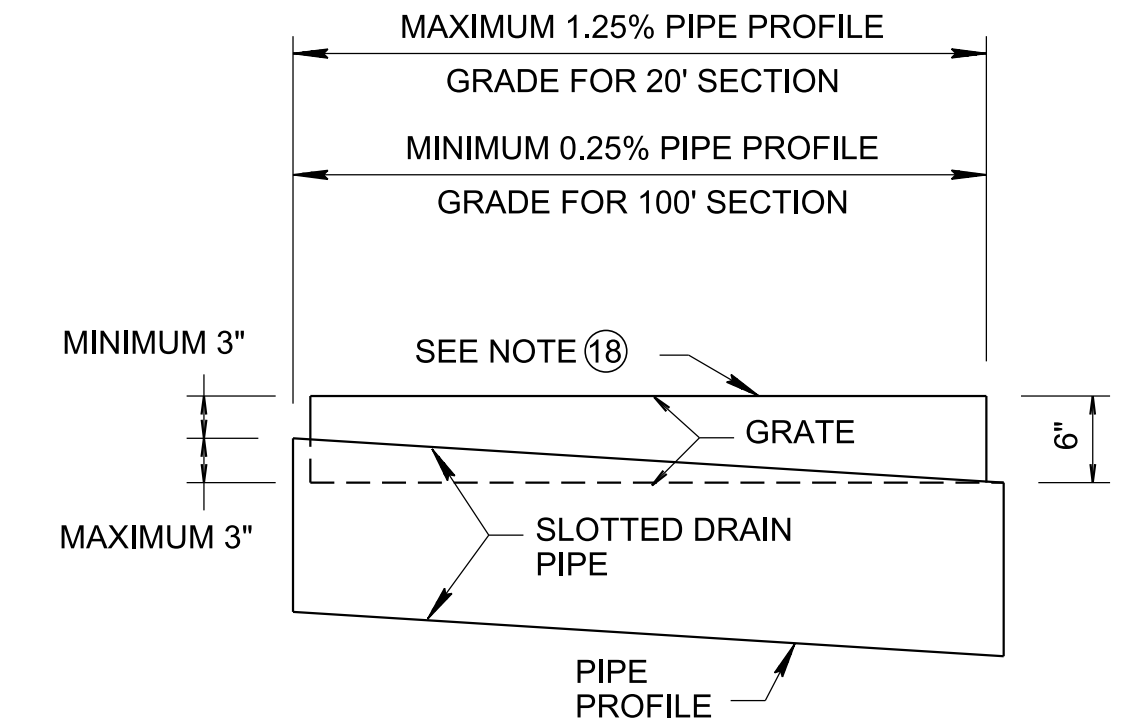
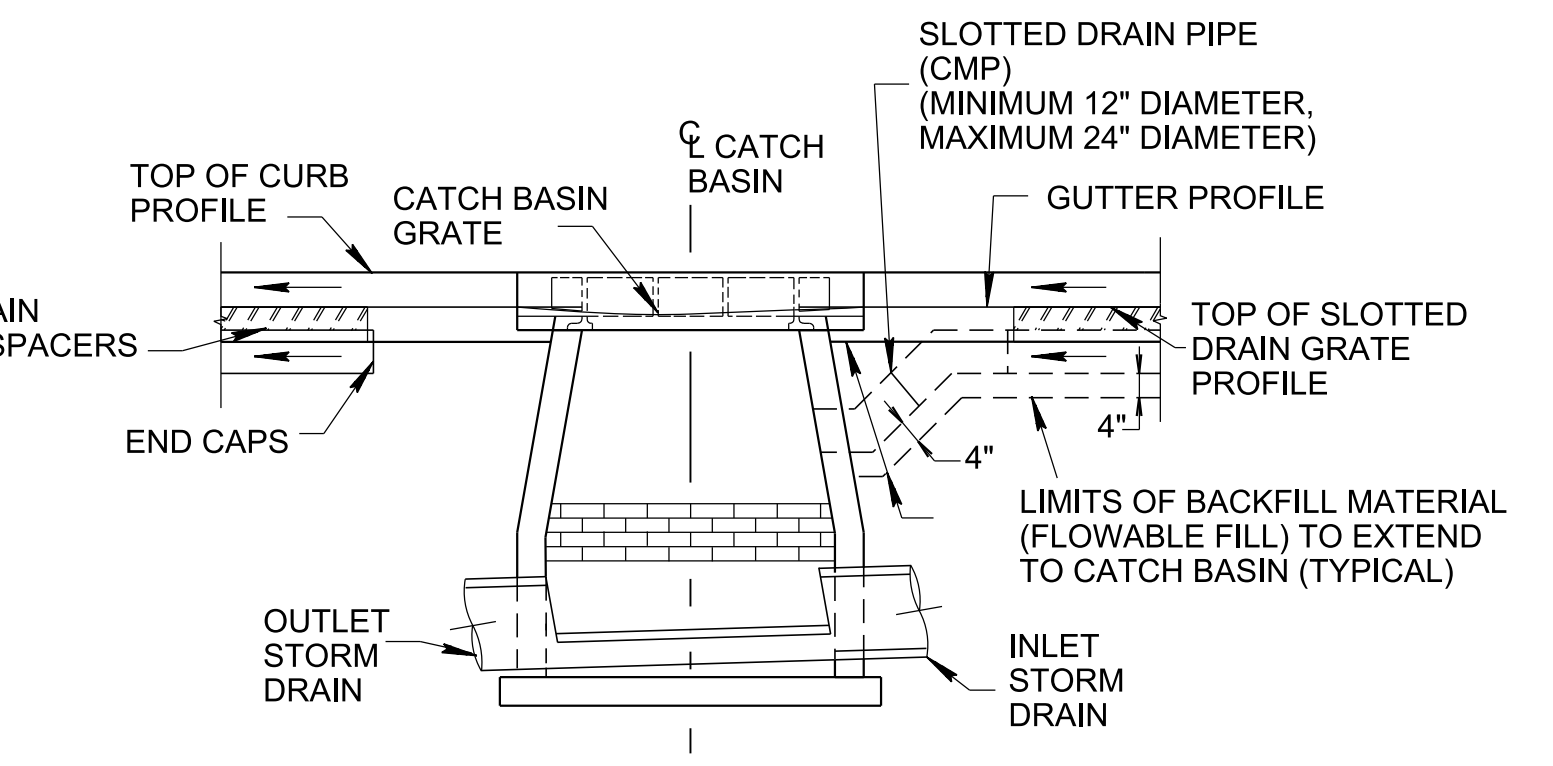


BACKFILL MATERIAL (FLOWABLE FILL) DETAIL AT LATERALS



"HEEL GUARD" GRATE SHALL BE USED IN AREAS OF HEAVY PEDESTRIAN TRAFFIC, AS DESIGNATED ELSEWHERE IN THE ROADWAY PLANS. THE ONE-HALF INCH (NO. 13) STANDARD EXPANDED METAL MESH IS TO BE SHOP WELDED DIRECTLY TO THE SLOTTED DRAIN GRATING.



NOTE:
SEE SHEET D-SLD-1 AND D-SLD-3 FOR ADDITIONAL DETAILS

3/23/2020 11:43:42 AM C:\Users\jj005471\Desktop\10-102.00 Catch Basins and Manholes IP\102.05 Slotted and Trench Drains IP\DSL\2-20200220.dgn