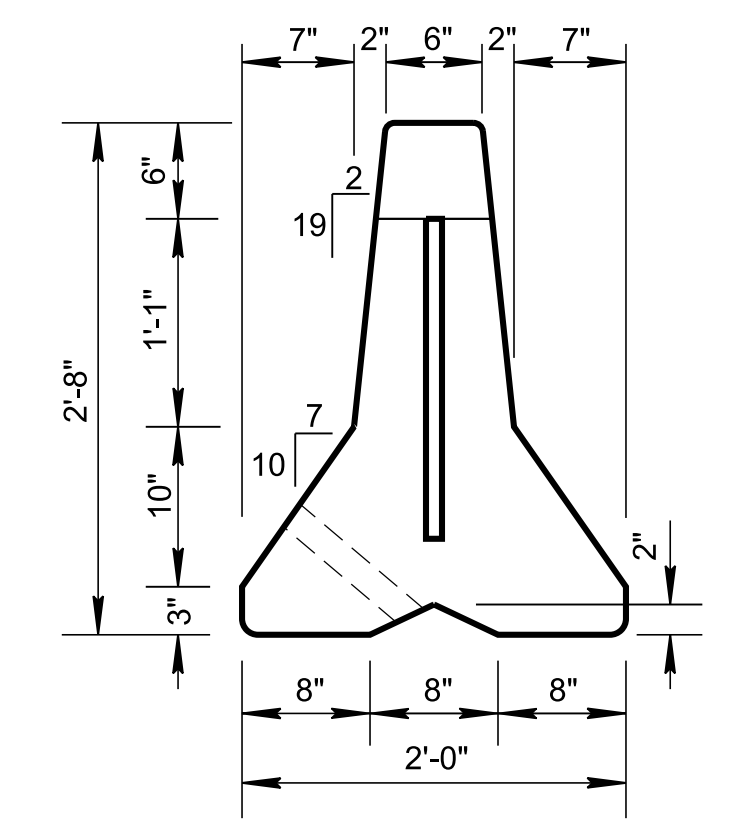
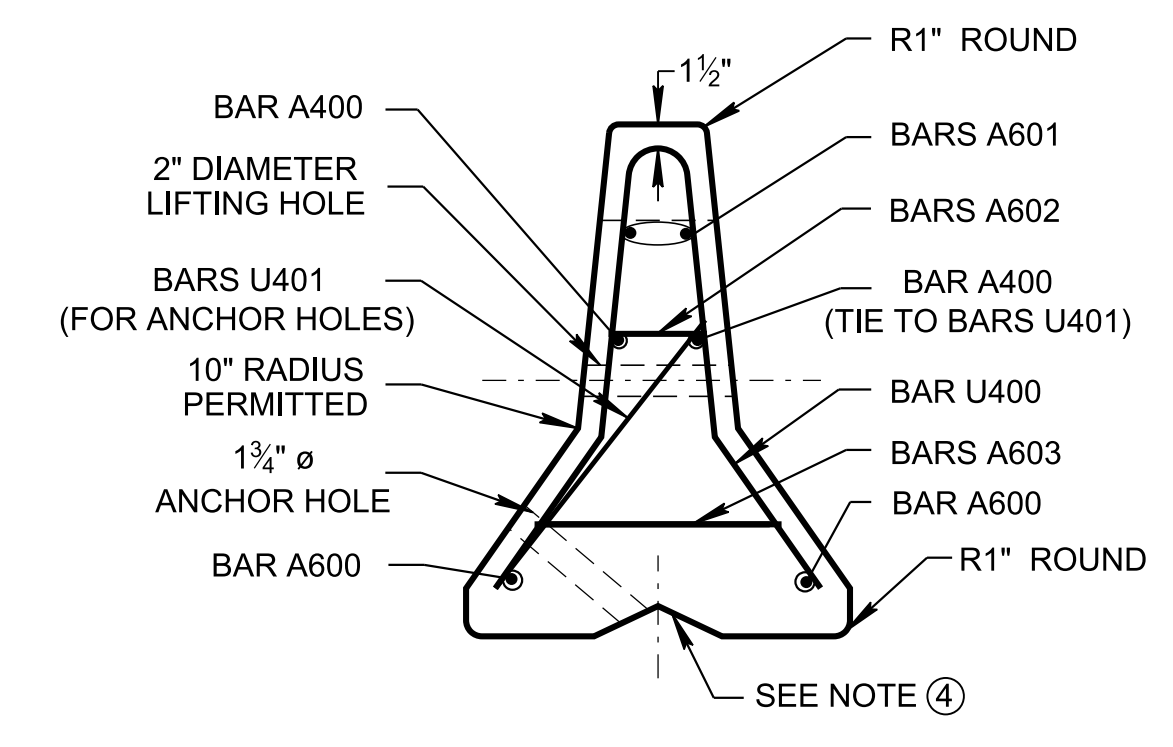


BARS A400, A600, A601, A602 AND A603
(SEE TABLE FOR LENGTH)

BILL OF STEEL			
BAR TYPE	BAR SIZE	NUMBER REQUIRED	LENGTH
A600	6	2	9'-6"
A601	6	2	9'-0"
A602	6	2	0'-6"
A603	6	2	1'-2"
A400	4	2	9'-0"
U400	4	7	5'-1 1/2"
U401	4	3	4'-2"

APPROXIMATE WEIGHT AND QUANTITIES			
SECTION LENGTH (FT.)	WEIGHT (LB.)	REINFORCING STEEL (LB.)	CONCRETE (C. Y.)
10	4253	115	1.05



- LIFTING HOLE AND SLOT FOOTNOTES**
- 2" DIAMETER LIFTING HOLE - 2 REQUIRED FOR EACH UNIT AND TO BE PLACED 3'-4" FROM EACH END OF THE 10 FOOT BARRIER WALL. LIFTING HOLES ARE TO BE FORMED WITH 2" PVC PIPE OR EQUAL.
 - LIFTING BARS SHALL BE REQUIRED WHEN MOVING THE BARRIER WALLS TO PREVENT SPALLING OF CONCRETE AROUND HOLES.
 - SIX INCH LIFT SLOTS PROVIDES DRAINAGE FOR THE PAVEMENT, THE OPENINGS SHALL NOT BE BLOCKED.
 - AT THE DISCRETION OF THE FABRICATOR LIFTING DEVICES MAY BE USED AT THE BOTTOM OF BARRIER. THE LIFTING DEVICES SHALL NOT INTERFERE WITH THE PIN HOLE LOCATIONS.

- GENERAL NOTES**
- PRECAST PORTABLE CONCRETE BARRIER SHALL BE CONSTRUCTED WITH CLASS 'A' CONCRETE WITH A MINIMUM COMPRESSIVE STRENGTH OF 4000 PSI, AND MANUFACTURED IN ACCORDANCE WITH SECTION 604 OF THE STANDARD SPECIFICATIONS.
 - REINFORCING STEEL: TO BE ASTM A615. PLACE ALL STEEL REINFORCEMENT 1 1/2" MINIMUM FROM OUTSIDE FACE OF WALL, EXCEPT AS OTHERWISE SHOWN. ALL REINFORCEMENT SHALL BE GALVANIZED IN ACCORDANCE WITH AASHTO M111.
 - SEE STANDARD DRAWING T-WZ-PCB3 FOR CONNECTION KEY DETAILS.
 - THE PERFORMANCE OF THE 32 INCH TALL 10 FOOT LONG PORTABLE CONCRETE BARRIER RAIL HAS BEEN EVALUATED BY THE MIDWEST ROADSIDE SAFETY FACILITY AND MEETS MASH TL-3 STANDARDS. THE EVALUATION OF THE PCB HAS BEEN DOCUMENTED IN REPORT NUMBER TRP-03-355-18. THE UNPINNED DEFLECTION FOR THIS DEVICE UNDER MASH TL-3 HAS BEEN DETERMINED TO BE 3". BASED ON THE 3" DEFLECTION CONSTRUCTION ACTIVITIES WITHIN THE 3' ZONE BEHIND THE PCB SHOULD BE AVOIDED. IF CONSTRUCTION ACTIVITIES CANNOT BE AVOIDED WITHIN THE 3' ZONE DIRECTLY BEHIND THE PCB, THE PCB SHALL BE PINNED ACCORDING TO T-WZ-PCB4.
 - BASED ON SEGMENT LENGTH AND MAXIMUM JOINT ROTATION, 10 FEET PORTABLE CONCRETE BARRIER CANNOT BE INSTALLED ON RADIUS TIGHTER THAN 115 FEET.
 - FOR BARRIER TO PERFORM BOTH ENDS MUST BE ANCHORED. ANCHORING THE ENDS MAY BE ACCOMPLISHED BY ATTACHING A CRASH CUSHION OR USING ANCHOR PINS SEE STANDARD DRAWING T-WZ-PCB4. THE COST OF ANCHOR PINS WILL BE INCLUDED IN THE UNIT PRICE OF THE PORTABLE BARRIER RAIL.
 - A 3" x 4" DELINEATOR SHALL BE INSTALLED ON EACH BARRIER WALL. SEE STANDARD DRAWING T-WZ-PBR2.
 - AFTER A BARRIER UNIT HAS BEEN PLACED AND ALL THE CONNECTION KEYS HAVE BEEN INSERTED, REMOVE ANY SLACK IN THE JOINT BY PULLING THE UNIT IN A DIRECTION PARALLEL TO ITS LONGITUDINAL AXIS.
 - ANY PORTABLE BARRIER RAIL DAMAGED AFTER IMPACT SHALL BE REMOVED FROM THE CONSTRUCTION SITE, AND REPLACED IMMEDIATELY.
 - PAYMENT FOR CONNECTION KEY, JOINT ASSEMBLY STEEL TUBE, PLATES, ANCHOR PINS AND OTHER HARDWARE MATERIALS WILL BE INCLUDED IN THE UNIT PRICE OF PORTABLE BARRIER RAIL ITEM NUMBER: 712-02.10, PORTABLE BARRIER RAIL (MASH TL-3), PER L.F.

STATE OF TENNESSEE
 STANDARD DRAWING
 DEPARTMENT OF TRANSPORTATION
10 FOOT PORTABLE CONCRETE BARRIER RAIL