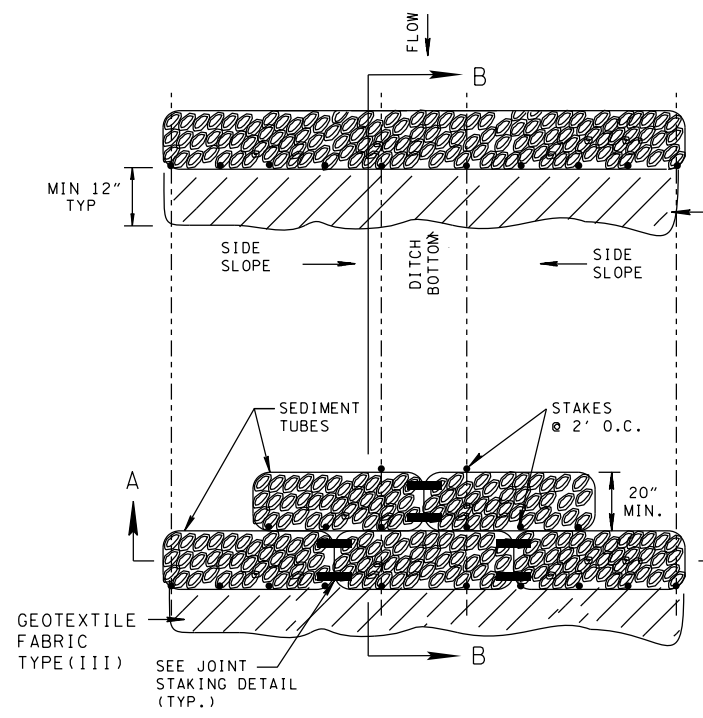
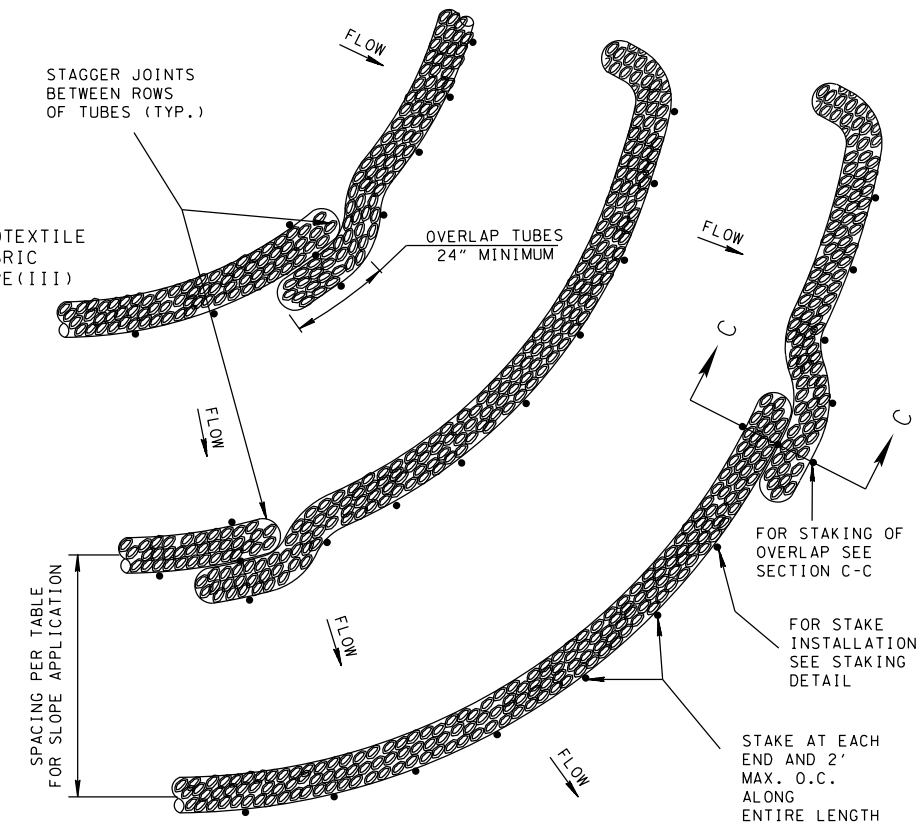


- REV. 4-15-06: REFORMATTED SHEET, REVISED NOTES, MISC. EDITS TO DRAWING.
- REV. 4-1-08: REMOVED TEMPORARY REFERENCE, ADDED OVERLAP DETAIL, OTHER MINOR MISC. EDITS, REVISED GENERAL NOTES.
- REV. 8-1-12: MINOR EDITS TO GENERAL NOTES.
- REV. 6-10-14: MODIFIED SPACING TABLES. ADDED GEOTEXTILES ADDED NOTE (P).



PLAN VIEW FOR DITCH APPLICATION  
SEE NOTE (C)



PLAN VIEW FOR SLOPE APPLICATION

SLOPE	8"	12"	18"	20"	24"
2%	70'	80'	N/A	N/A	N/A
5%	30'	60'	80'	N/A	N/A
10%	20'	30'	70'	80'	80'
6:1	N/A	20'	40'	50'	55'
4:1	N/A	20'	30'	30'	30'
3:1	N/A	N/A	20'	20'	25'
2:1	N/A	N/A	20'	20'	20'

N/A = NOT RECOMMENDED  
SPACING NOT TO EXCEED 80'

SLOPE	MAXIMUM SEDIMENT TUBE SPACING
LESS THAN 2%	80'
2%	80'
3%	50'
4%	40'
5%	30'
6%	20'
GREATER THAN 6%	20'

BASED ON A 20" SEDIMENT TUBE  
SEE TABLE ON EC-STR-6 FOR OTHER HEIGHTS.

SEDIMENT TUBE GENERAL NOTES

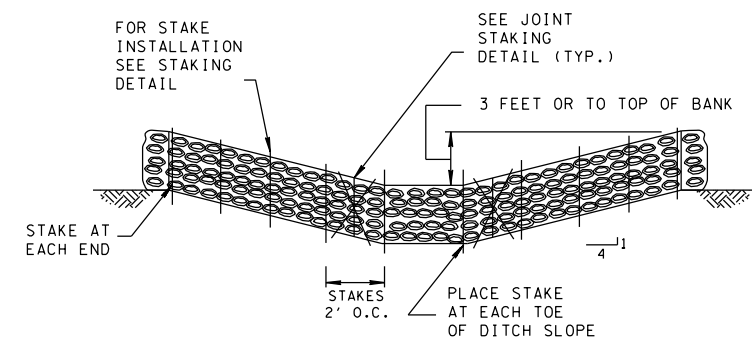
- (A) SEDIMENT TUBES CAN BE PLACED AT THE TOP, ON THE FACE, OR AT THE TOE OF SLOPES TO INTERCEPT RUNOFF, REDUCE FLOW VELOCITY, RELEASE THE RUNOFF AS SHEET FLOW AND PROVIDE REMOVAL OF SEDIMENT FROM THE RUNOFF.
- (B) SEDIMENT TUBES SHALL BE INSTALLED ALONG OR ON THE GROUND CONTOUR, AT THE TOE OF SLOPES, OR IN A DITCH TO HELP REDUCE THE EFFECTS OF SOIL EROSION AND RETAIN SEDIMENT. SEDIMENT TUBES SHOULD NOT BE USED IN DITCHES OR STREAMS.
- (C) FOR DITCH APPLICATIONS, THE MAXIMUM DRAINAGE AREA SHALL BE 15 ACRES. AT SITES WHICH DRAIN TO EXCEPTIONAL TENNESSEE WATERS OR SEDIMENT-IMPAIRED STREAMS, THE MAXIMUM DRAINAGE AREA SHALL BE 10 ACRES. FOR SLOPE APPLICATIONS, THE MAXIMUM DRAINAGE AREAS SHALL BE 1/4 ACRE PER 100 LF OF TUBE.
- (D) SEDIMENT TUBES SHALL NOT BE USED ON PAVEMENT, ROCKY SOILS, OR AT ANY OTHER LOCATIONS WHERE THE STAKES CANNOT BE DRIVEN TO THE REQUIRED DEPTH.
- (E) SEDIMENT TUBES SHALL BE MANUFACTURED FROM WOOD EXCELSIOR, RICE OR WHEAT STRAW, COCONUT FIBERS, OR HARDWOOD MULCH THAT IS ENCLOSED BY A TUBULAR FLEXIBLE NETTING MATERIAL. ALL MATERIALS INCLUDING THE NETTING SHALL BE BIODEGRADABLE.
- (F) PINE NEEDLE AND LEAF MULCH FILLED SEDIMENT TUBES AND STRAW BALES ARE NOT ACCEPTABLE MATERIALS.
- (G) THE DIAMETER OF A SEDIMENT TUBE SHALL BE A MINIMUM OF 8 INCHES AND A MAXIMUM OF 24 INCHES. DIAMETER TOLERANCE IS 2 INCHES. FOR DITCH APPLICATIONS, SEDIMENT TUBES SHALL BE A MINIMUM OF 20 INCHES.
- (H) SEDIMENT TUBES SHALL BE INSTALLED WITH WOODEN STAKES (MIN. 1.5" x 1.5" ACTUAL). THE STAKE SHALL BE EMBEDDED A MINIMUM OF 2 FEET.
- (I) SEDIMENT TUBES SHALL BE TRENCHED IN A MINIMUM OF 2 INCHES.
- (J) IF MORE THAN ONE SEDIMENT TUBE IS PLACED IN A ROW IN SLOPE APPLICATION, THE TUBES SHALL BE OVERLAPPED A MINIMUM OF 24 INCHES TO PREVENT FLOW AND SEDIMENT FROM PASSING THROUGH THE FIELD JOINT. WHEN USED IN DITCHES, TWO ROWS OF TUBE SHALL BE PLACED ON THE CHANNEL BOTTOM WITH STAGGERED JOINTS AS SHOWN.
- (K) FOR DITCH APPLICATIONS, SEDIMENT TUBES SHALL BE A MINIMUM OF 20 INCH DIAMETER AND SHALL BE PLACED PERPENDICULAR TO THE FLOW OF WATER. SEDIMENT TUBES SHALL CONTINUE UP THE SIDE SLOPES A MINIMUM OF 3 FEET PLUS THE DIAMETER OF THE TUBE, OR TO THE TOP OF THE DITCH, WHICHEVER IS LESS.
- (L) SEDIMENT TUBES USED IN SLOPE APPLICATIONS MAY REMAIN IN PLACE TO BIODEGRADE. FOR DITCH APPLICATIONS SEDIMENT TUBES SHALL BE COMPLETELY REMOVED AFTER FULLY ESTABLISHED VEGETATION HAS COMPLETELY DEVELOPED.
- (M) SEDIMENT TUBES SHALL BE PAID FOR UNDER THE FOLLOWING ITEMS NUMBERS:  
 740-11.01 TEMPORARY SEDIMENT TUBE (8 INCH) PER LINEAR FOOT  
 740-11.02 TEMPORARY SEDIMENT TUBE (12 INCH) PER LINEAR FOOT  
 740-11.03 TEMPORARY SEDIMENT TUBE (18 INCH) PER LINEAR FOOT  
 740-11.04 TEMPORARY SEDIMENT TUBE (20 INCH) PER LINEAR FOOT  
 740-11.05 TEMPORARY SEDIMENT TUBE (24 INCH) PER LINEAR FOOT  
 PAYMENT SHALL INCLUDE ALL MATERIALS (INCLUDING GEOTEXTILE FABRIC IF USED) AND LABOR NECESSARY FOR CONSTRUCTION, MAINTENANCE, AND REMOVAL OF SEDIMENT TUBE.
- (N) ONLY SEDIMENT TUBES LISTED ON THE QUALIFIED PRODUCTS LIST MAY BE USED.
- (O) SEDIMENT SHALL BE REMOVED FROM BEHIND THE SEDIMENT TUBE WHEN IT HAS ACCUMULATED TO ONE-HALF THE ORIGINAL HEIGHT OF THE STRUCTURE AND PAID FOR UNDER ITEM NUMBER 209-05, SEDIMENT REMOVAL PER CUBIC YARD.
- (P) GEOTEXTILE FABRIC REQUIRED FOR SLOPE APPLICATION STEEPER THAN 6:1.

□ MINOR REVISION -- FHWA APPROVAL NOT REQUIRED.

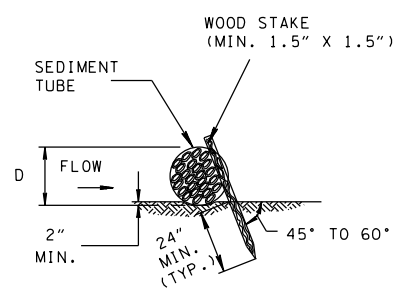
NOT TO SCALE

STATE OF TENNESSEE  
DEPARTMENT OF TRANSPORTATION

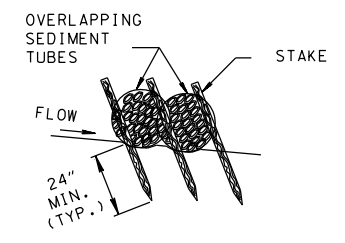
SEDIMENT TUBE



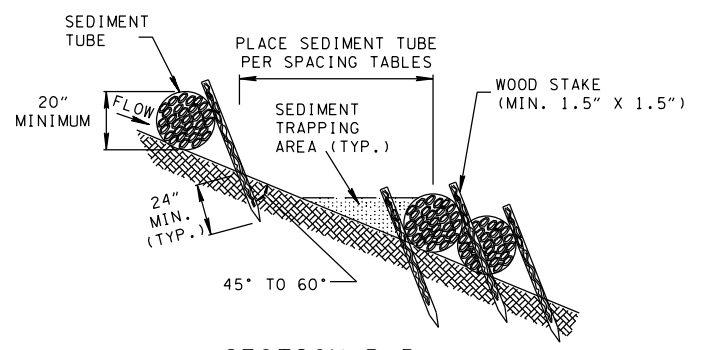
SECTION A-A



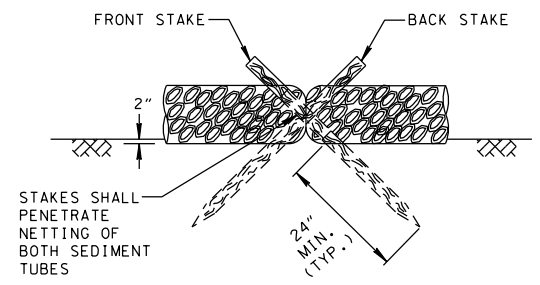
STAKING DETAIL



SECTION C-C



SECTION B-B



JOINT STAKING DETAIL  
(DITCH APPLICATION ONLY)