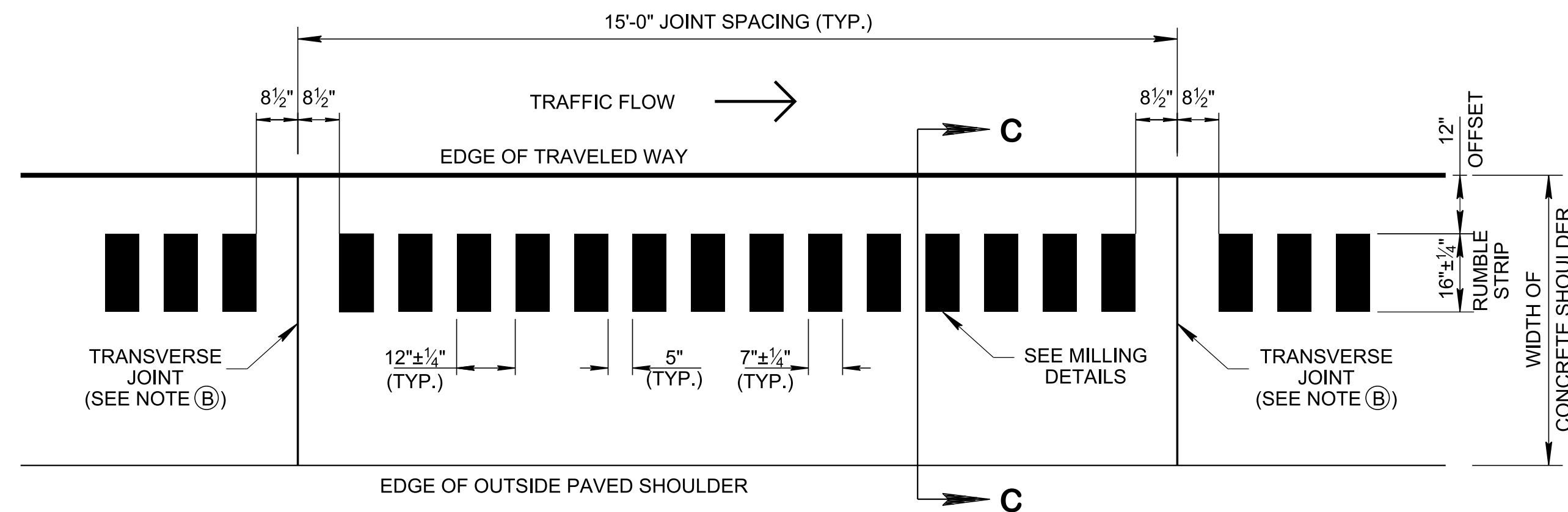
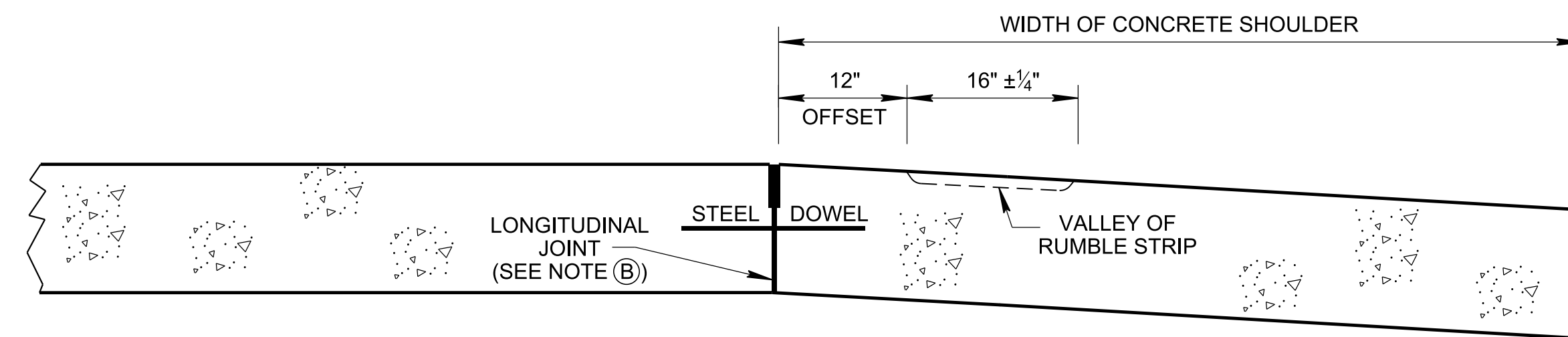


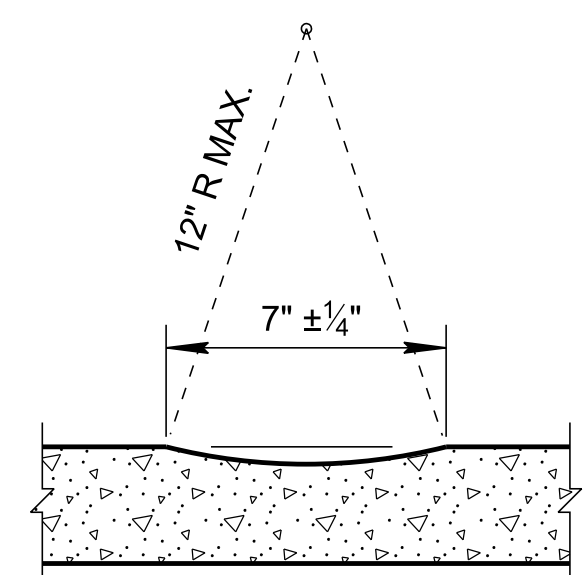
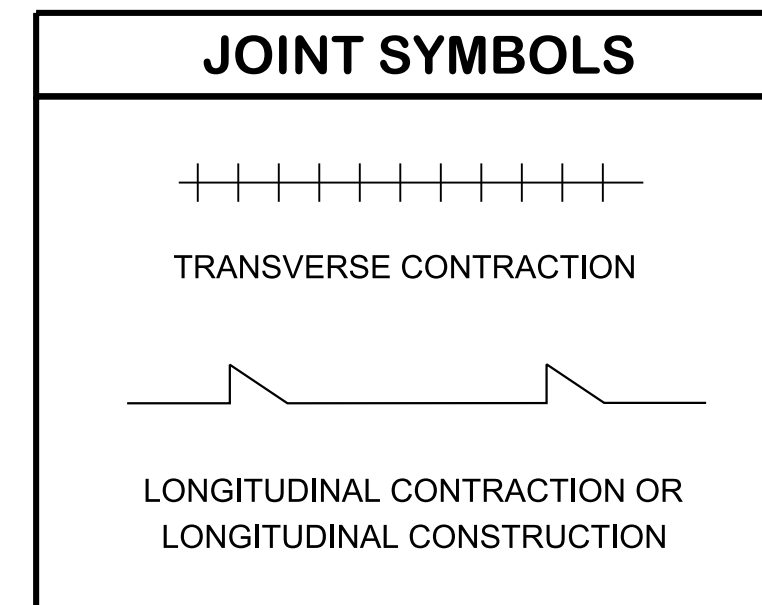
**PLAN VIEW  
MILLED RUMBLE STRIP ON CONCRETE SHOULDER**



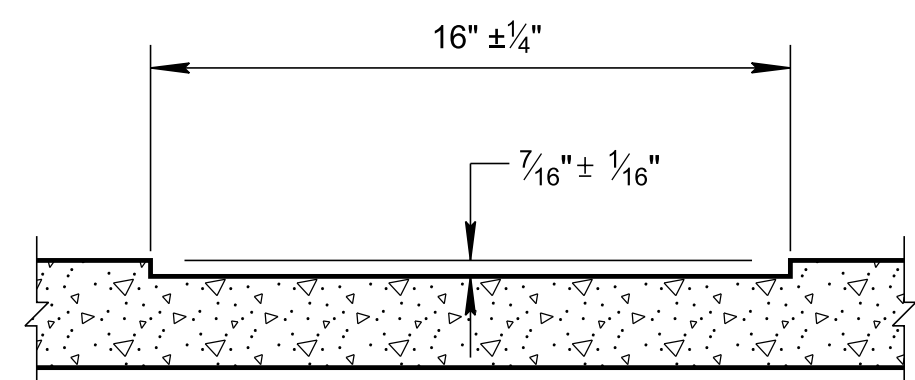
**DETAIL FOR  
MILLED RUMBLE STRIP ON CONCRETE SHOULDER**



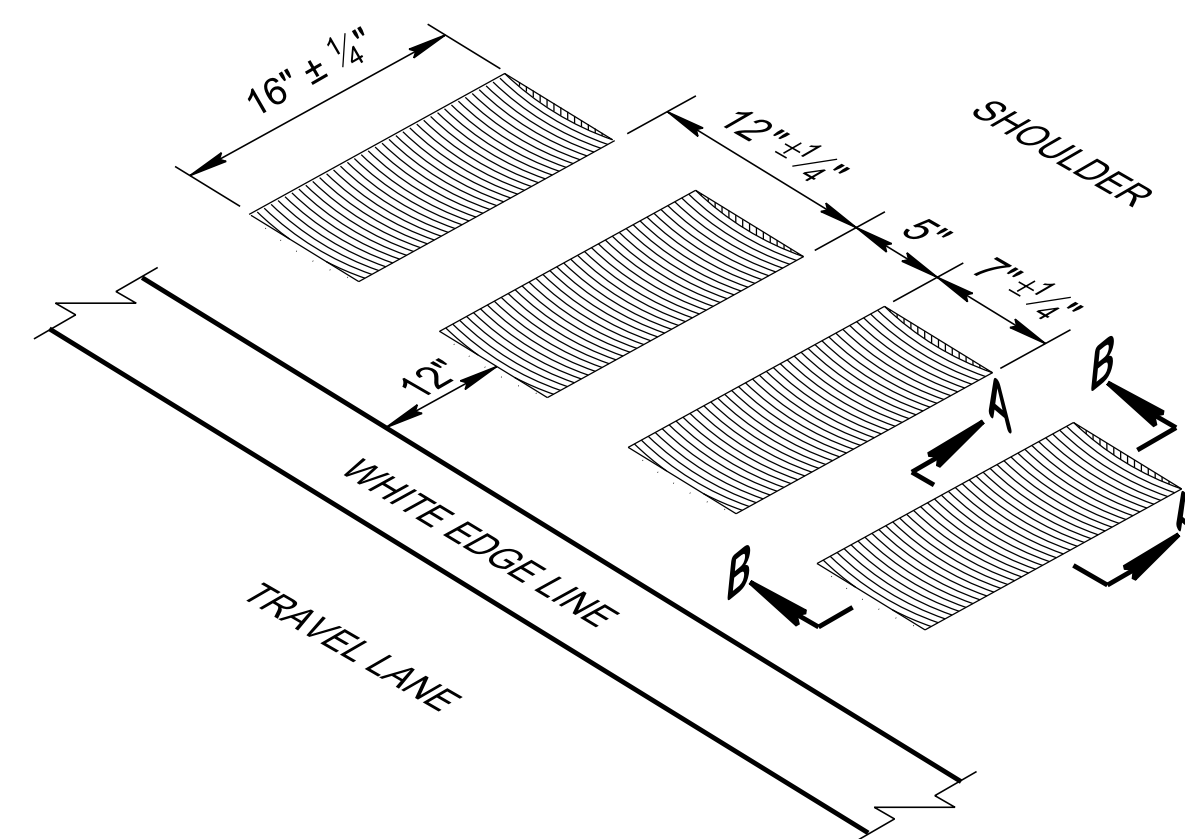
**SECTION C-C**



**SECTION A-A**



**SECTION B-B**



**ISOMETRIC VIEW**

RUMBLE STRIP GENERAL NOTES		
(A)	MILLED-IN RUMBLE STRIP WITH 7" ± 1/4" GROOVES, 7/16" ± 1/16" DEEP, ON 12" ± 1/4" SPACING.	
(B)	REFER TO STANDARD DRAWINGS RP-J SERIES FOR CONCRETE PAVEMENT JOINT TYPES AND SPACING.	
(C)	MILLED RUMBLE STRIP ON CONCRETE SHOULDER, ALL COST OF INSTALLATION SHALL BE INCLUDED IN ITEM NUMBER.	
501-03.15	CONCRETE SHOULDER MILLED RUMBLE STRIPS,	L.M.

STATE OF TENNESSEE  
STANDARD DRAWING  
DEPARTMENT OF TRANSPORTATION

**CONCRETE SHOULDER  
MILLED RUMBLE STRIP DETAILS**

07-07-2023 RP-CS-3