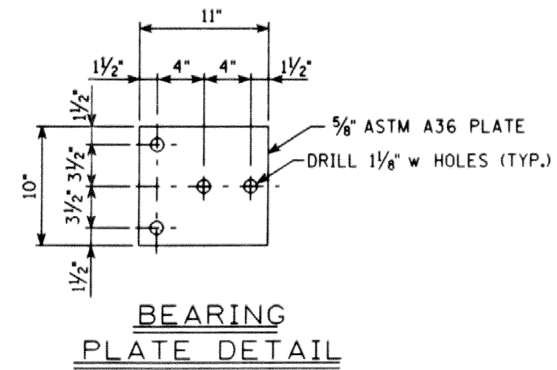
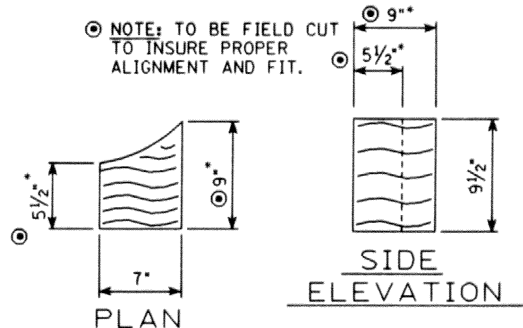
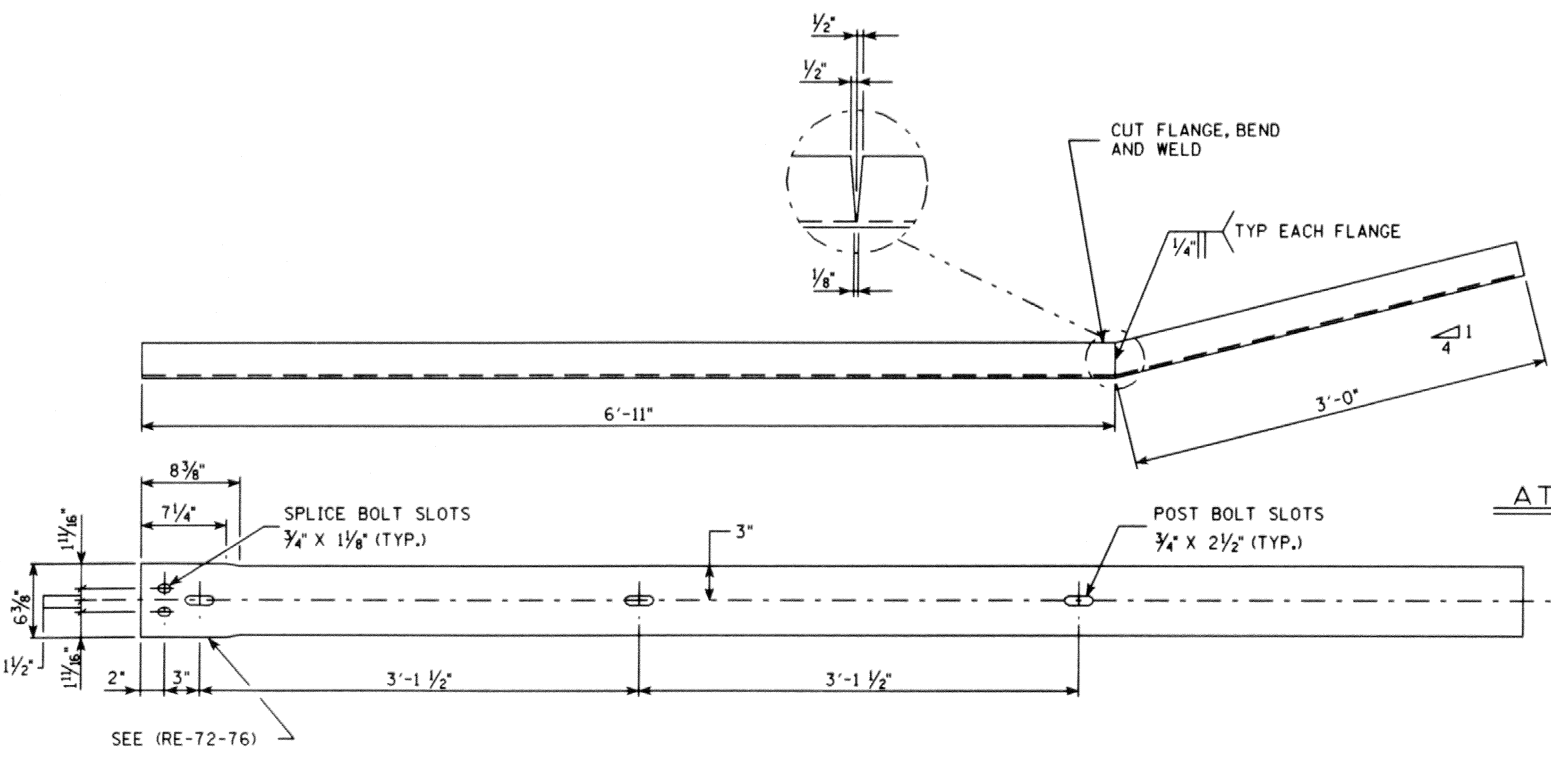
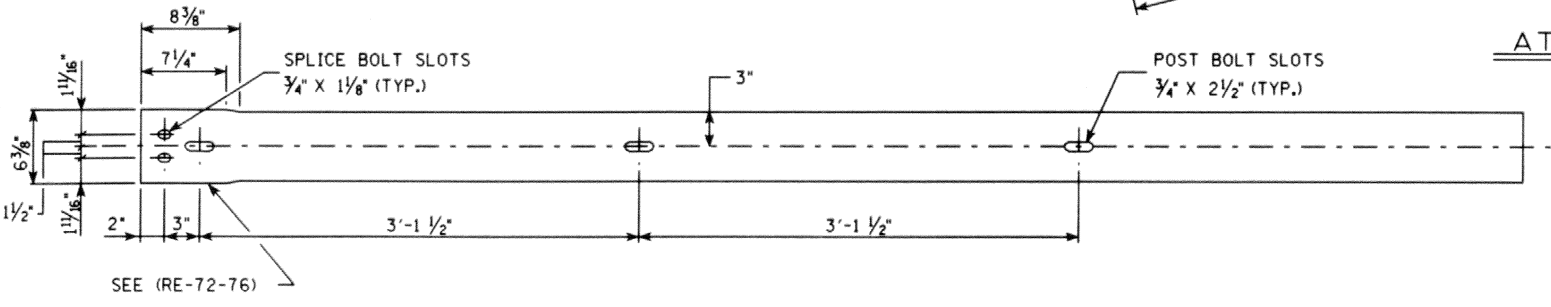


PROJECT NO.	YEAR	SHEET NO.	
	1989		
REVISIONS			
NO.	DATE	BY	BRIEF DESCRIPTION
1	11-16-92	W.M.M.	REVISED DRAWING NUMBERS
2	2-22-95	T.O.	REMOVED SIGNATURES
3	1-4-96	TO	REVISED BR DRAWING NO. TO SBR DRAWING NO.



**WOOD RUBRAIL BLOCKOUT DETAIL
AT END OF EXISTING CONCRETE ENDPOST**



**DETAIL SHOWING MODIFIED BENT PLATE RUBRAIL
(RE-72-76) TO BE SHOP FABRICATED**

**BOTTOM BEAM RUBRAIL
WOOD BLOCKS FOR POST NO.'S 1 THRU 4
9\"/>**

POST	THICKNESS
(1)	8"
(2)	6"
(3)	4"
(4)	2"

GENERAL NOTES

SPECIFICATIONS: STANDARD ROAD AND BRIDGE SPECIFICATIONS OF THE TENNESSEE DEPARTMENT OF TRANSPORTATION (CURRENT EDITION)

NOTE: WOOD PRESERVATIVE TREATMENT FOR WOOD BLOCKOUTS SHALL BE PRESSURE TREATED OR AS SPECIFIED IN SECTION 911 OF THE STANDARD SPECIFICATIONS (CURRENT EDITION).

NOTE: RAIL SECTIONS FOR CONNECTIONS TO BRIDGES TO BE SHOP PUNCHED OR DRILLED. CURVED SECTIONS TO BE SHOP BENT OR FABRICATED TO CORRECT ALIGNMENT AND FIT. SEE NOTES ON DRAWING NO. SBR-2-133.

NOTE: THE RUBRAIL ENDS SHALL BE SHOP FABRICATED SO AS TO ATTACH FLUSH WITH THE SLOPED FACE OF THE SAFETY SHAPE ENDPOST. RUBRAIL ENDS TWISTED BOTH CLOCKWISE AND COUNTER-CLOCKWISE MAY BE REQUIRED IN MOST SITUATIONS.

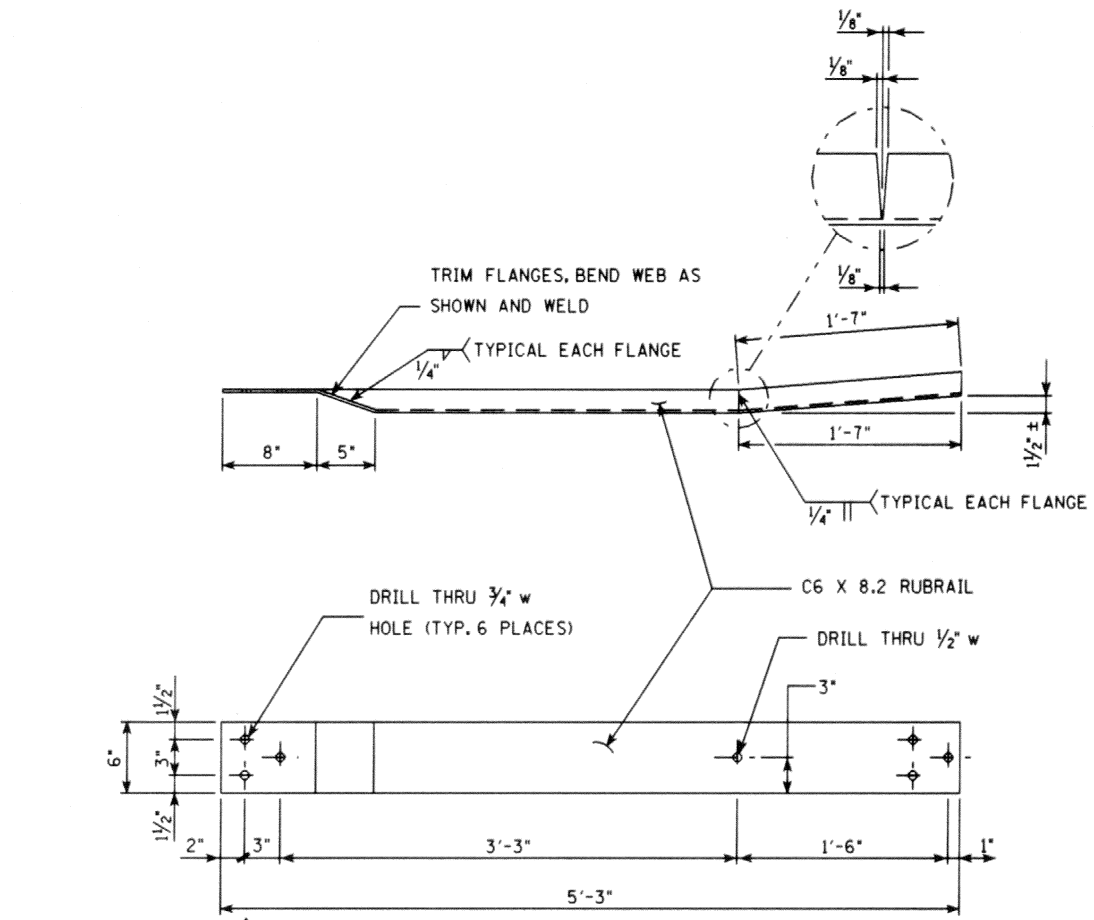
NOTE: DETAILS OF GUARDRAIL SHALL CONFORM TO STANDARD DRAWING S-GR SERIES EXCEPT FOR DETAILS SHOWN ON THESE SHEETS.

NOTE: PROFILE OF GUARDRAIL SHALL CONFORM TO ROADWAY GRADE.

NOTE: STANDARD BARRIER HARDWARE HAS BEEN USED TO DEVELOP THIS GUARDRAIL TRANSITION. DESIGNATIONS AS CALLED FOR THESE SHEETS RELATE TO STANDARD ELEMENTS DETAILED IN "A GUIDE TO STANDARDIZED HIGHWAY BARRIER RAIL HARDWARE", 1979, AASHTO-AGC-ARTBA JOINT COOPERATIVE COMMITTEE.

NOTE: POSTS 1-6 REQUIRE AN ADDITIONAL HOLE TO ATTACH LOWER BLOCKS AND/OR RUBRAIL.

NOTE: RUBRAIL WOOD BLOCKS LOCATED ON POST 1 THROUGH 4 ARE OFFSET DRILLED AND SECURED WITH 5/8\"/>



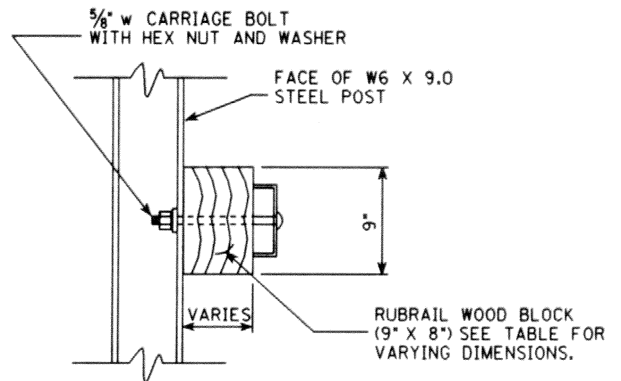
**DETAIL SHOWING MODIFIED RUBRAIL
(RE-9-73) TO BE SHOP FABRICATED**

NOTE: 1/2\"/>

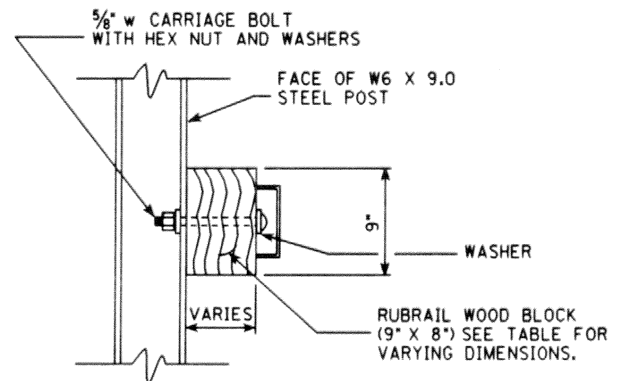
STEEL SPACER TUBE
0'-6\"/>

1/2\"/>

DETAIL "A"



SIDE ELEVATION AT POST NO. 3



SIDE ELEVATION AT POST NO.'S 1, 2 AND 4

B/R MINOR REVISION - FHWA APPROVAL NOT REQUIRED

STATE OF TENNESSEE
DEPARTMENT OF TRANSPORTATION
DETAILS SHOWING GUARDRAIL ATTACHMENT AT BRIDGE ENDS TO EXISTING CONCRETE VERTICAL FACE OF ENDPOST
1989

DESIGNED BY _____ DATE _____
DRAWN BY KIM FRANKENFIELD DATE 9-92
SUPERVISED BY GENTRY & McINTURFF DATE 9-92
CHECKED BY McINTURFF DATE _____

(RE-9-73) TO BE SHOP FABRICATED
SEE NOTE ON DWG. NO. SBR-2-133.