

REV. 1-20-71: AS PER 1970 SIGNING MANUAL.

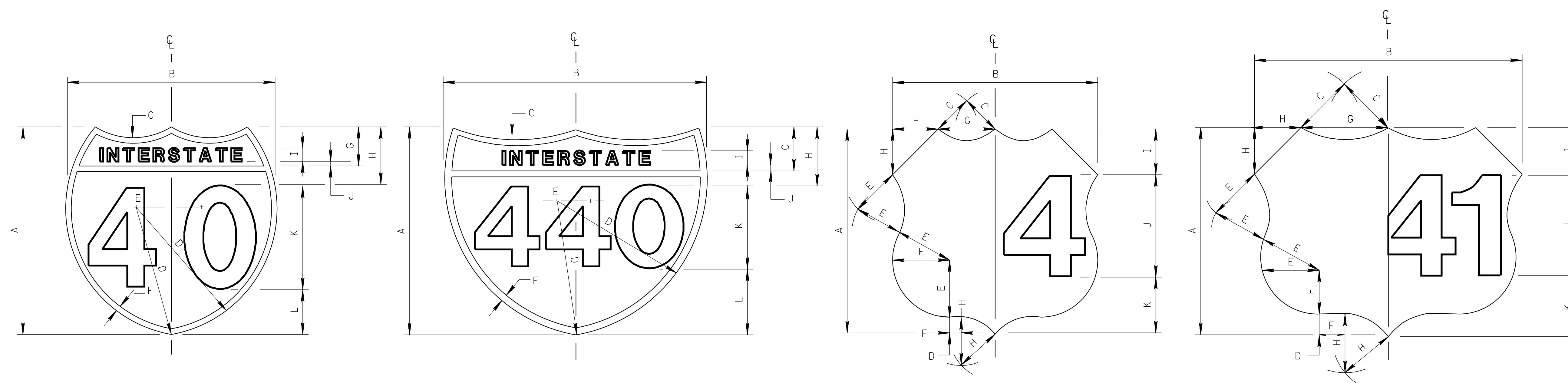
REV. 7-1-72: CHANGED DEPARTMENT NAME.

REV. 1-1-76: CHANGED DRAWING NUMBER FROM RD-S-7 TO T-S-7.

REV. 2-18-76: STATE NAME ELIMINATED FROM INTERSTATE SHIELD. SERIES "D" ADDED TO LETTER SIZES ON U.S. SHIELDS.

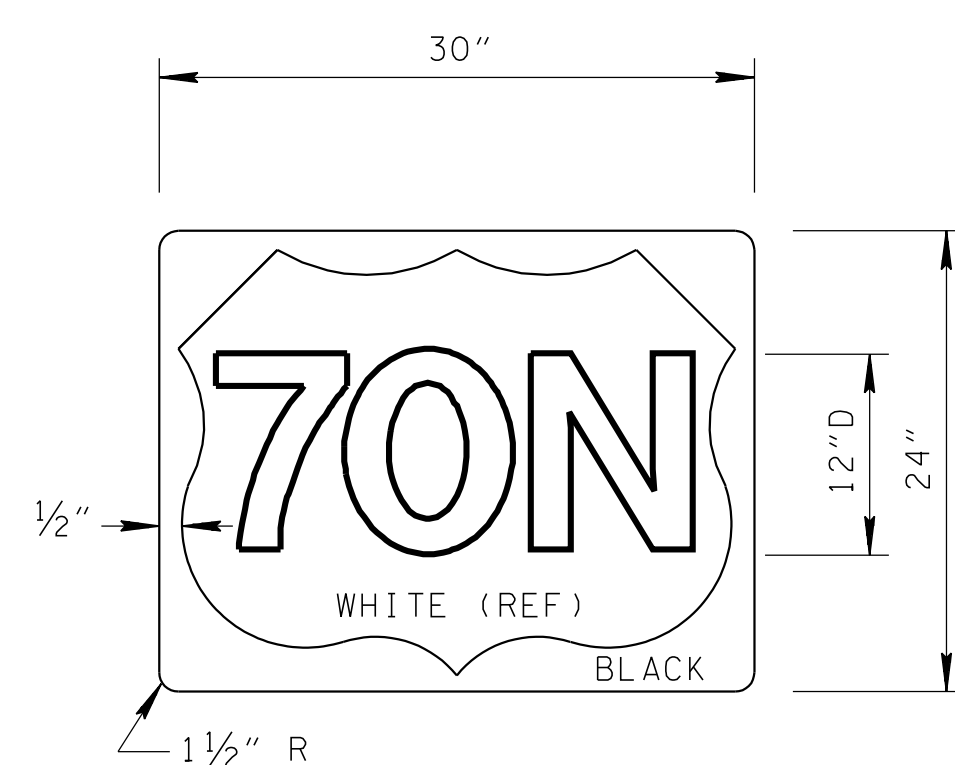
REV. 8-10-83: MOVED ALL STATE ROUTE MARKERS TO DRAWING NUMBER T-S-8. THIS DRAWING REDRAWN.

REV. 2-12-91: REDREW, REORGANIZED AND RENAMED DRAWING.

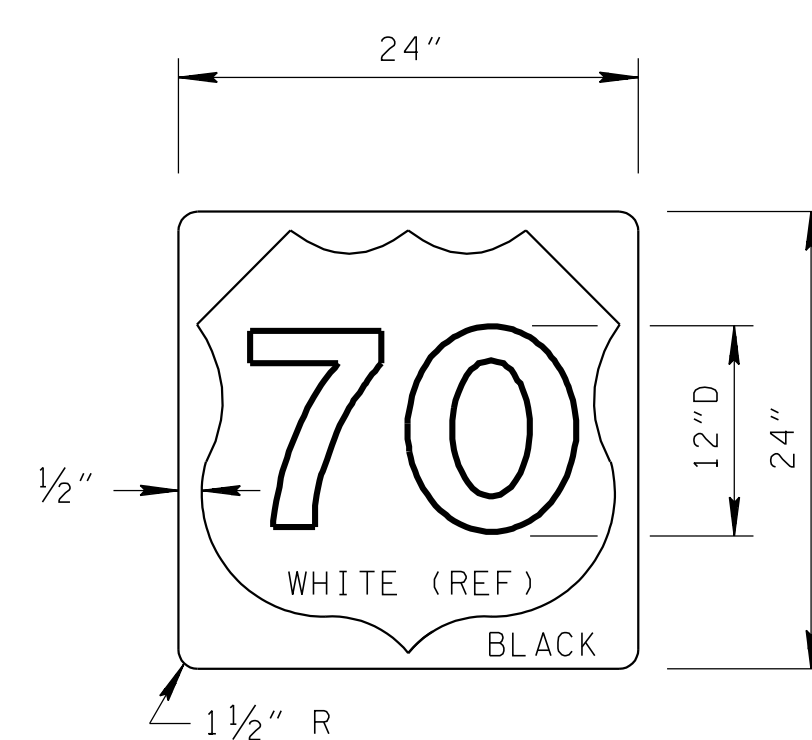


DIMENSION CODES	2 DIGITS	3 DIGITS	2 DIGITS	3 DIGITS	2 DIGITS	3 DIGITS
	12" C NUMERALS	10" D NUMERALS	18" C NUMERALS	15" D NUMERALS	24" C NUMERALS	20" D NUMERALS
A	24	24	36	36	48	48
B	24	30	36	45	48	60
C	15	24	22½	36	30	48
D	15	17	22½	25½	30	34
E	3	2	4½	3	6	4
F	½	½	¾	¾	1	1
G	5	5	7½	7½	10	10
H	6½	6½	9¾	9¾	13	13
I	2½	2½	3¾	3¾	5	5
J	½	½	¾	¾	1	1
K	12	10	18	15	24	20
L	5½	7½	8¼	11¼	11	15

DIMENSION CODES	12" NUMERALS		18" NUMERALS		24" NUMERALS	
	2 DIGITS	3 DIGITS	2 DIGITS	3 DIGITS	2 DIGITS	3 DIGITS
A	24	24	36	36	48	48
B	24	30	36	45	48	60
C	5	9	7½	13½	10	18
D	2	2	3	3	4	4
E	7	7	10½	10½	14	14
F	1	4	1½	5½	2	8
G	7	10	10½	15	14	20
H	5	5	7½	7½	10	10
I	5½	5½	8¼	8¼	11	11
J	12D	12D	18D	18D	24D	24D
K	6½	6½	9¾	9¾	13	13



U.S. SHIELD
3 DIGITS



U.S. SHIELD
2 DIGITS

NOTE
FOR SHIELD LAYOUT USE DIMENSIONS FOR DEMOUNTABLE SHIELDS EXCEPT INSET ½" ON ALL FOUR SIDES.

FOOTNOTES

① ALL DIMENSIONS SHOWN IN TABLES ON THIS SHEET ARE IN INCHES.

② IF SERIES "D" CAN'T BE ACCOMMODATED WITHIN THE SPACE AVAILABLE, THEN THE NUMERALS SHALL BE REDUCED TO SERIES "C".

STATE OF TENNESSEE
DEPARTMENT OF TRANSPORTATION

HIGHWAY SHIELDS
USED ON
INTERSTATE AND
U.S. NUMBERED
ROUTES

T-S-7