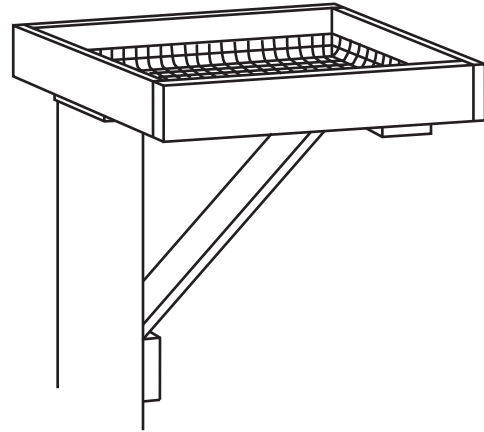
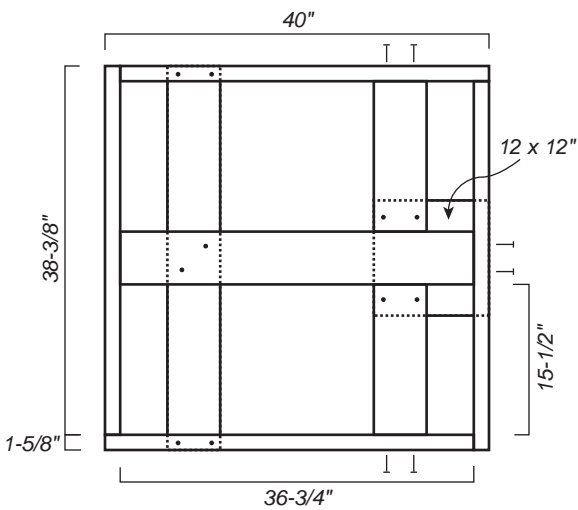


# OSPREY NEST PLATFORM

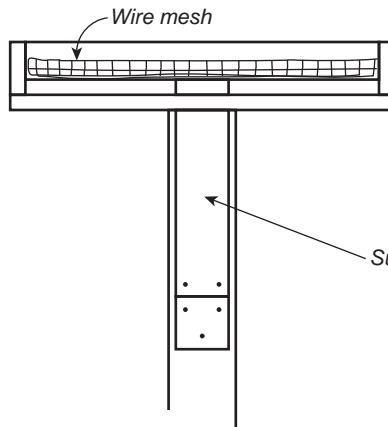
- LUMBER:** Two 2" x 6" x 12' cedar boards  
 One 2" x 6" x 4' cedar board  
 One 12" x 12" x 1/2" exterior plywood  
 One 20' or 30' cedar post



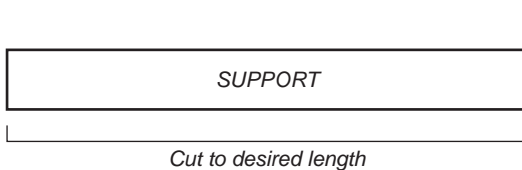
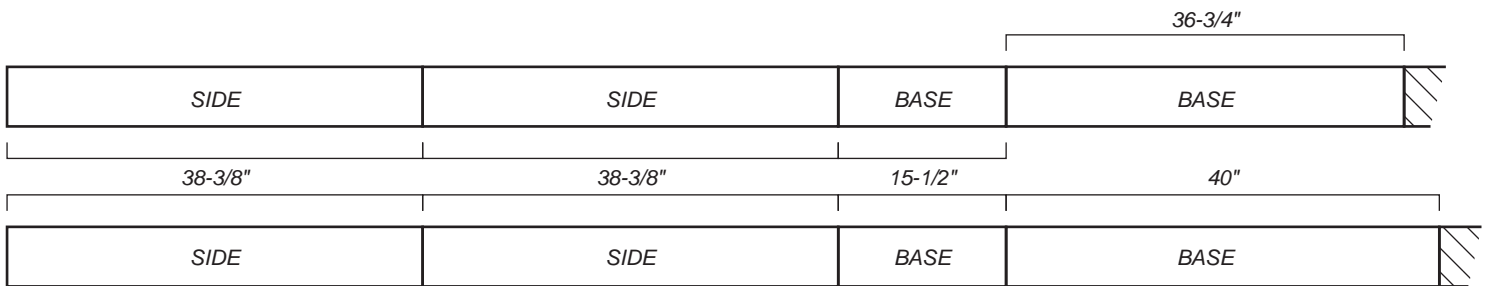
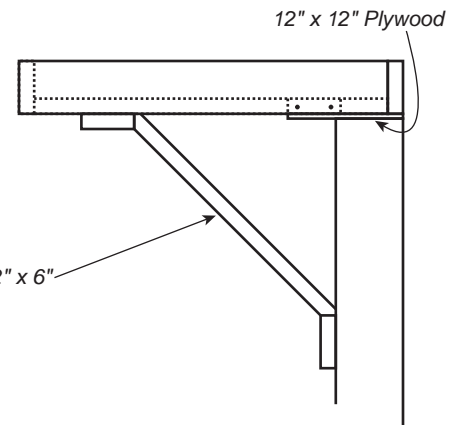
TOP VIEW



FRONT VIEW  
 (Front board removed to show interior)



SIDE VIEW



Galvanized welded wire

